

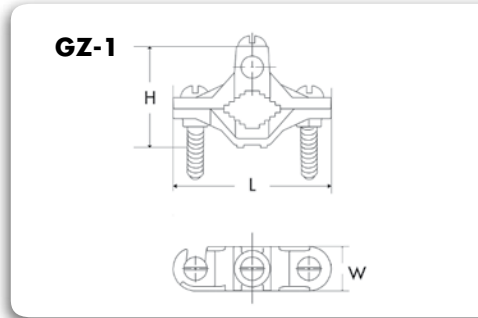
**GROUND CLAMPS**  
**Zinc Die Cast and**  
**Standard Duty Silicon**  
**Bronze Ground Clamp**  
**GZ, GRC SERIES**



**ZINC DIE-CAST GROUND CLAMPS**



- Die cast from high-strength zinc alloy.
- Used to connect bare copper wire for grounding.
- Zinc plated steel screws.
- GZB-1 is brass plated.



All dimensional data is listed in inches.

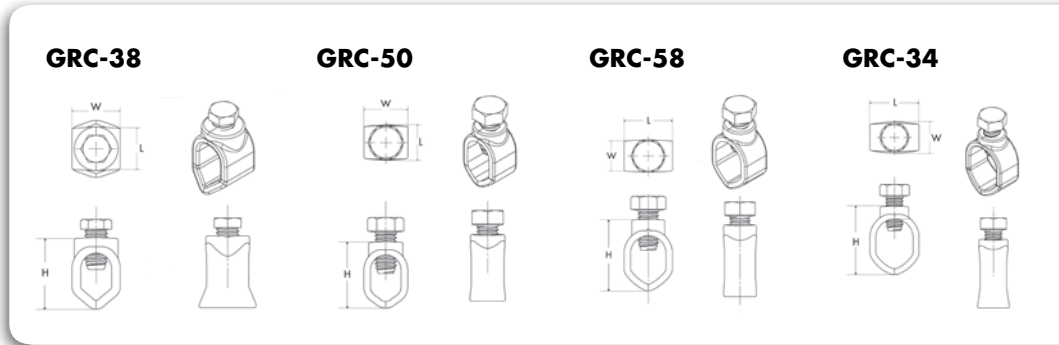
CAT. NO.	CONDUIT SIZE	GROUND WIRE RANGE	STD. CTN. QTY.
<b>GZ-1</b>	1/2 - 1	2 - 10	20
<b>GZB-1*</b>	1/2 - 1	2 - 10	20

\*Not UL Listed.

**STANDARD DUTY SILICON BRONZE**



- Ground rod clamps are made from silicon bronze with 304 stainless steel screws for maximum strenght.
- All standard duty and heavy duty ground clamps are UL Listed for direct burial in earth or concrete.
- cULus Listed 467 Grounding and Bonding.



All dimensional data is listed in inches.

CAT. NO.	GROUND ROD SIZE	REBAR SIZE	GROUND WIRE MAXIMUM	STD. CTN. QTY.
<b>GRC 38(**)</b>	3/8	-	10 SOL – 4 STR	50
<b>GRC 50**</b>	1/2	3/8	10 SOL – 2 STR	25
<b>GRC 58**</b>	5/8	1/2	10 SOL – 2 STR	25
<b>GRC 34**</b>	3/4	5/8	10 SOL – 1 STR	20

\*Not UL Listed/ \*\*Available with silicon bronze screws by adding suffix of -SB.