

GRJS Universal Conduit Outlet Box

Explosionproof, Dust-Ignitionproof

UNILETS® for use with Threaded Metal Conduit.

Class I, Division 1 and 2, Groups C, D
 Class II, Division 1 and 2, Groups E, F, G
 Class III
 Raintight

Enclosures and Junction Boxes

ENCLOSURES AND JUNCTION BOXES: HAZARDOUS LOCATION CONDUIT OUTLET BOXES

Applications

- Complies with a wide range of classified area requirements.
- Corrosion-resistant: ideal indoors or out.
- For pulling of wires.
- Connect conduit lengths and change direction of conduit runs.
- Provide access for maintenance.

Features

- Malleable iron bodies have high tensile strength and ductility. Provides great resistance to corrosion, impact, and shock.
- Accurately tapped, tapered hub threads for tight, rigid joints and ground continuity.
- Furnished with covers.
- General purpose wiring.
- Universal design with five threaded openings and three close-up plugs.
- Compact round box for use where space is limited.
- Serve as mounting means for lighting fixtures when used with hub cover.
- Internally threaded body with externally threaded cover.
- Smooth, rounded integral bushing in each hub type box protects conductor insulation.

Standard Materials

- Bodies: malleable iron
- Covers: copperfree (4/10 of 1% max.) aluminum

Standard Finishes

- Bodies: triple-coat — (1) zinc electroplate, (2) chromate, and (3) epoxy powder coat
- Covers: epoxy powder coat

Certifications and Compliances

- UL Standard: UL 886 (UL 1203)
- UL Listed: E10444

Box Type	Conduit Size (Inches)	Cover Opening Inches/Millimeters	Capacity in ³ /dm ³	Catalog Number
----------	-----------------------	----------------------------------	---	----------------

GRJS Universal Box with Cover

Internally threaded malleable iron body with externally threaded aluminum surface cover. Complete with five threaded universal openings and three close-up plugs.



1/2	2.56/65.0	7.3/0.12	GRJS50
3/4	2.56/65.0	7.3/0.12	GRJS75
1	2.56/65.0	7.3/0.12	GRJS100

GRJS Aluminum Covers



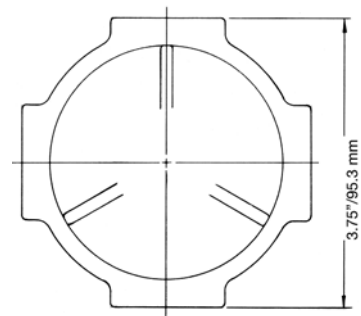
Surface	2.56/65.0	7.3/0.12	GRJSK
---------	-----------	----------	--------------



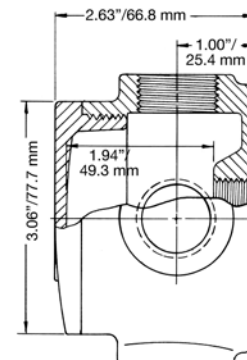
Hub	1/2	2.56/65.0	7.3/0.12	GRJSK-50
-----	-----	-----------	----------	-----------------

Dimensions

Top



Side



GRJS Universal Conduit Outlet Box

Explosionproof, Dust-Ignitionproof

UNILETS® for use with Threaded Metal Conduit.

Class I, Division 1 and 2, Groups C, D
 Class II, Division 1 and 2, Groups E, F, G
 Class III
 Raintight

Enclosures and Junction Boxes

ENCLOSURES AND JUNCTION BOXES: HAZARDOUS LOCATION CONDUIT OUTLET BOXES

Applications

- Complies with a wide range of classified area requirements.
- Corrosion-resistant: ideal indoors or out.
- For pulling of wires.
- Connect conduit lengths and change direction of conduit runs.
- Provide access for maintenance.

Features

- Malleable iron bodies have high tensile strength and ductility. Provides great resistance to corrosion, impact, and shock.
- Accurately tapped, tapered hub threads for tight, rigid joints and ground continuity.
- Furnished with covers.
- General purpose wiring.
- Universal design with five threaded openings and three close-up plugs.
- Compact round box for use where space is limited.
- Serve as mounting means for lighting fixtures when used with hub cover.
- Internally threaded body with externally threaded cover.
- Smooth, rounded integral bushing in each hub type box protects conductor insulation.

Standard Materials

- Bodies: malleable iron
- Covers: copperfree (4/10 of 1% max.) aluminum

Standard Finishes

- Bodies: triple-coat — (1) zinc electroplate, (2) chromate, and (3) epoxy powder coat
- Covers: epoxy powder coat

Certifications and Compliances

- UL Standard: UL 886 (UL 1203)
- UL Listed: E10444

Box Type	Conduit Size (Inches)	Cover Opening Inches/Millimeters	Capacity in ³ /dm ³	Catalog Number
----------	-----------------------	----------------------------------	---	----------------

GRJS Universal Box with Cover

Internally threaded malleable iron body with externally threaded aluminum surface cover. Complete with five threaded universal openings and three close-up plugs.



1/2	2.56/65.0	7.3/0.12	GRJS50
3/4	2.56/65.0	7.3/0.12	GRJS75
1	2.56/65.0	7.3/0.12	GRJS100

GRJS Aluminum Covers



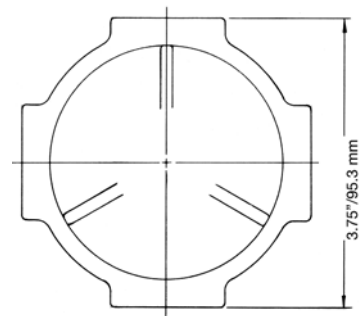
Surface	2.56/65.0	7.3/0.12	GRJSK
---------	-----------	----------	--------------



Hub	1/2	2.56/65.0	7.3/0.12	GRJSK-50
-----	-----	-----------	----------	-----------------

Dimensions

Top



Side

