



GUP Series Explosionproof Junction Boxes



GUP Series Junction Boxes are installed in hazardous areas:

- To protect conductors in threaded rigid conduit systems
- To connect lengths of conduit
- To provide access to conductors for maintenance or future system changes
- To change conduit direction
- Where space is limited, such as gasoline pump installations

Features:

- Compact design for mounting in areas with limited space
- Available with a variety of hubs (six hubs or ten hubs) for maximum application flexibility
- Provided with three plugs for six hub body and seven plugs for ten hub body to safely plug unused conduit openings
- Neoprene o-ring gasket in cover provides UL Type 4 watertight rating for enclosure
- Internal green ground screw provided to terminate ground wire
- Raised ears on cover to assist in cover tightening and removal
- Body has 29 cubic inch wiring capacity

Certifications & Compliances:

NEC and CEC

- Class I, Division 1 & 2, Groups C, D
- Class II, Division 1, Groups E, F, G

UL Standard

- UL886



CSA Standard

- C22.2 No. 30



Environmental Rating:

- NEMA Type 4

Standard Materials:

- Bodies: *Feraloy*® iron alloy
- Covers: Copper-free aluminum

Standard Finishes:

- *Feraloy*® iron alloy: Electrogalvanized with aluminum acrylic paint
- Copper-free aluminum: Natural

Options:

- All iron construction (add suffix -WOD to the end of the catalog number)

Ordering Information:

Top Hubs	Bottom Hubs	Side Hubs	Back Hubs	Cat. No.
2 - 3/4"	2 - 3/4"	1 - 3/4"	None	GUP215*
2 - 3/4"	2 - 3/4"	1 - 3/4"	4 - 3/4"	GUP214**
2 - 3/4"	2 - 3/4"	1 - 3/4"	4 - 1"	GUP314†
2 - 1"	2 - 1"	1 - 1"	4 - 1"	GUP315‡

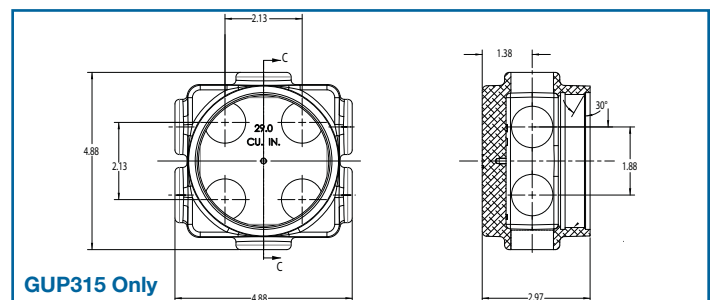
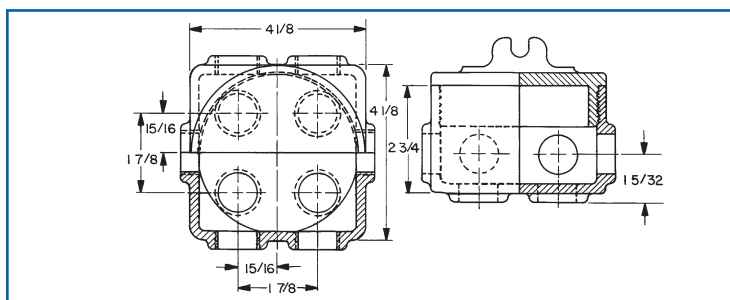
*Enclosure is provided with 3-3/4" pipe plugs.

**Enclosure is provided with 7-3/4" pipe plugs.

†Enclosure is provided with 4-3/4" pipe plugs and 3-1" pipe plugs.

‡Enclosure is provided with 4-1" pipe plugs and 3-1" pipe plugs.

Dimensions (In Inches):





GUP Series Explosionproof Junction Boxes



GUP Series Junction Boxes are installed in hazardous areas:

- To protect conductors in threaded rigid conduit systems
- To connect lengths of conduit
- To provide access to conductors for maintenance or future system changes
- To change conduit direction
- Where space is limited, such as gasoline pump installations

Features:

- Compact design for mounting in areas with limited space
- Available with a variety of hubs (six hubs or ten hubs) for maximum application flexibility
- Provided with three plugs for six hub body and seven plugs for ten hub body to safely plug unused conduit openings
- Neoprene o-ring gasket in cover provides UL Type 4 watertight rating for enclosure
- Internal green ground screw provided to terminate ground wire
- Raised ears on cover to assist in cover tightening and removal
- Body has 29 cubic inch wiring capacity

Certifications & Compliances:

NEC and CEC

- Class I, Division 1 & 2, Groups C, D
- Class II, Division 1, Groups E, F, G

UL Standard

- UL886



CSA Standard

- C22.2 No. 30



Environmental Rating:

- NEMA Type 4

Standard Materials:

- Bodies: *Feraloy*® iron alloy
- Covers: Copper-free aluminum

Standard Finishes:

- *Feraloy*® iron alloy: Electrogalvanized with aluminum acrylic paint
- Copper-free aluminum: Natural

Options:

- All iron construction (add suffix -WOD to the end of the catalog number)

Ordering Information:

Top Hubs	Bottom Hubs	Side Hubs	Back Hubs	Cat. No.
2 - 3/4"	2 - 3/4"	1 - 3/4"	None	GUP215*
2 - 3/4"	2 - 3/4"	1 - 3/4"	4 - 3/4"	GUP214**
2 - 3/4"	2 - 3/4"	1 - 3/4"	4 - 1"	GUP314†
2 - 1"	2 - 1"	1 - 1"	4 - 1"	GUP315‡

*Enclosure is provided with 3-3/4" pipe plugs.

**Enclosure is provided with 7-3/4" pipe plugs.

†Enclosure is provided with 4-3/4" pipe plugs and 3-1" pipe plugs.

‡Enclosure is provided with 4-1" pipe plugs and 3-1" pipe plugs.

Dimensions (In Inches):

