

GUP Junction Boxes

Cl. I, Div. 1 and 2, Groups C, D
 Cl. II, Div. 1, Groups E, F, G
 Cl. II, Div. 2, Groups F, G
 Cl. III

Explosionproof
 Dust-Ignitionproof
 Raintight

1E

Applications:

GUP series junction boxes are used in threaded rigid conduit systems in hazardous areas:

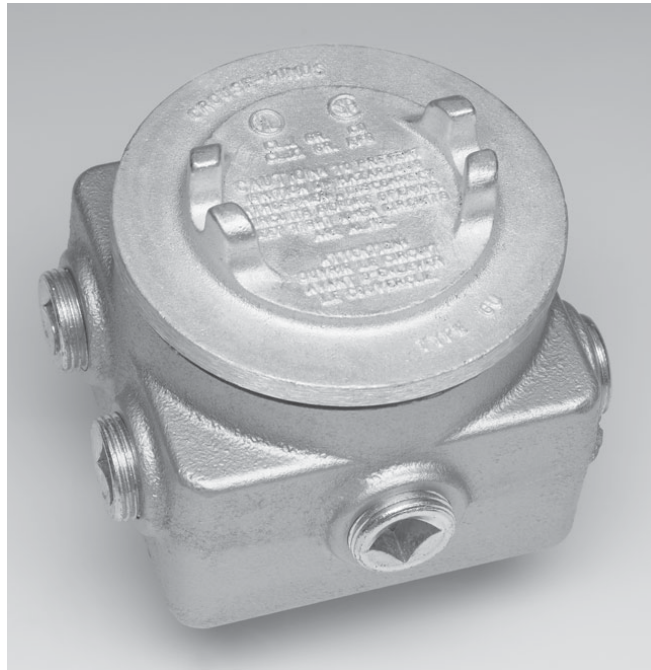
- To function as a junction or pull box
- Where space is limited such as in gasoline pumps
- Indoors or outdoors

Features:

- Compact in design
- Supplied with a variety of hubs (6 hubs and 3 plugs or 10 hubs and 7 plugs)
- Cover sealed with standard "O" ring gasket for raintight enclosure

Certifications and Compliances:

- NEC/CEC:
 - Class I, Division 1 and 2, Groups C, D
 - Class II, Division 1, Groups E, F, G
 - Class II, Division 2, Groups F, G
 - Class III
- UL Standard: 1203
- CSA Standard: C22.2 No. 30



Standard Materials:

- Bodies – *Feraloy*® iron alloy
- Covers – copper-free aluminum

Standard Finishes:

- *Feraloy* iron alloy – electrogalvanized and aluminum acrylic paint
- Copper-free aluminum – natural

Options:

Description
Feraloy iron alloy covers

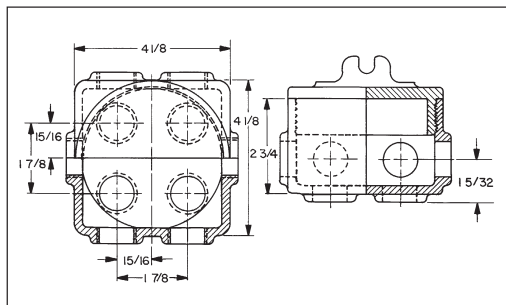
Suffix
WOD

Ordering Information:

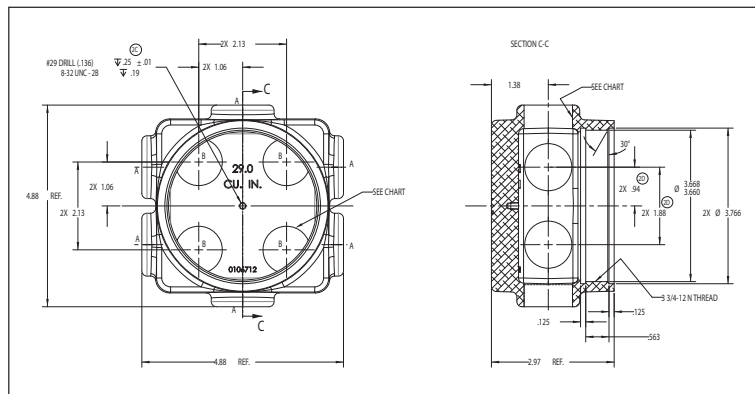
Top Hubs	Bottom Hubs	Side Hubs	Back Hubs	Cat. #
2-3/4"	2-3/4"	1-3/4"	None	GUP215*
2-3/4"	2-3/4"	1-3/4"	4-3/4"	GUP214†
2-3/4"	2-3/4"	1-3/4"	4-1"	GUP314‡
2-1"	2-1"	1-1"	4-1"	GUP315‡‡

*Furnished with 3-3/4" pipe plugs.
 †Furnished with 7-3/4" pipe plugs.
 ‡Furnished with 4-3/4" pipe plugs and 3-1" pipe plugs.
 ‡‡Furnished with 4-1" pipe plugs and 3-1" pipe plugs.

Dimensions In Inches:



For conduit liner ordering information, see page 860.



GUP315 Only

GUP Junction Boxes

Cl. I, Div. 1 and 2, Groups C, D
 Cl. II, Div. 1, Groups E, F, G
 Cl. II, Div. 2, Groups F, G
 Cl. III

Explosionproof
 Dust-Ignitionproof
 Raintight

1E

Applications:

GUP series junction boxes are used in threaded rigid conduit systems in hazardous areas:

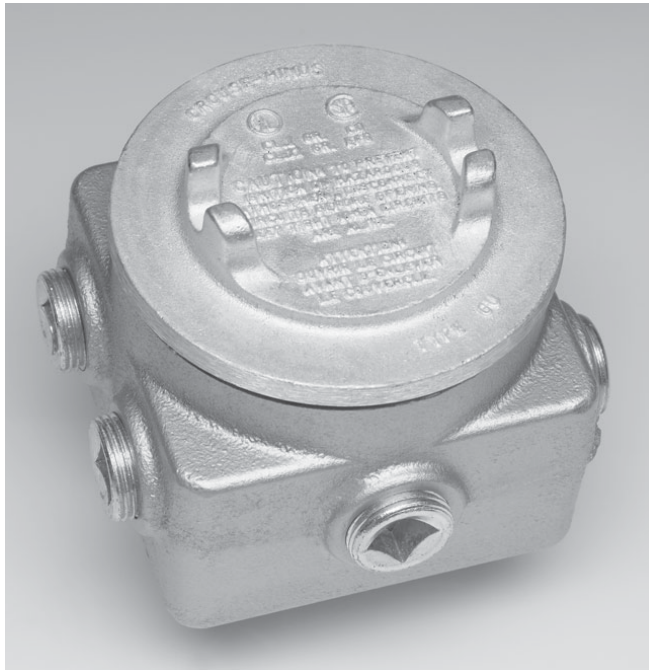
- To function as a junction or pull box
- Where space is limited such as in gasoline pumps
- Indoors or outdoors

Features:

- Compact in design
- Supplied with a variety of hubs (6 hubs and 3 plugs or 10 hubs and 7 plugs)
- Cover sealed with standard "O" ring gasket for raintight enclosure

Certifications and Compliances:

- NEC/CEC:
 - Class I, Division 1 and 2, Groups C, D
 - Class II, Division 1, Groups E, F, G
 - Class II, Division 2, Groups F, G
 - Class III
- UL Standard: 1203
- CSA Standard: C22.2 No. 30



Standard Materials:

- Bodies – *Feraloy*® iron alloy
- Covers – copper-free aluminum

Standard Finishes:

- *Feraloy* iron alloy – electrogalvanized and aluminum acrylic paint
- Copper-free aluminum – natural

Options:

Description
Feraloy iron alloy covers

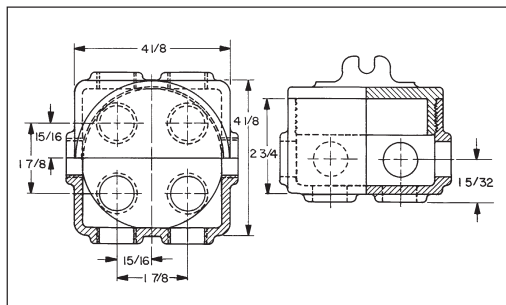
Suffix
WOD

Ordering Information:

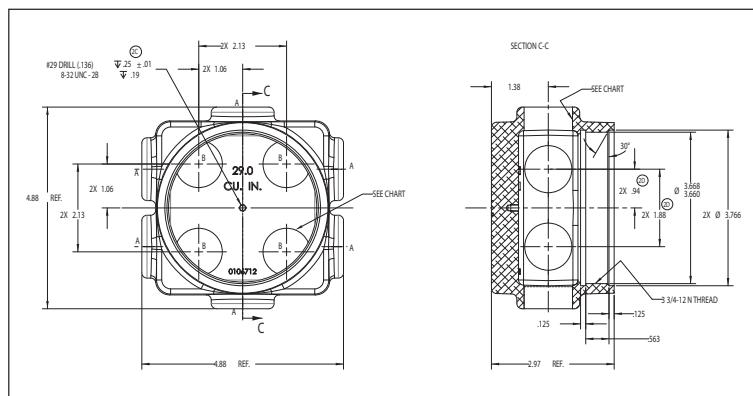
Top Hubs	Bottom Hubs	Side Hubs	Back Hubs	Cat. #
2-3/4"	2-3/4"	1-3/4"	None	GUP215*
2-3/4"	2-3/4"	1-3/4"	4-3/4"	GUP214†
2-3/4"	2-3/4"	1-3/4"	4-1"	GUP314‡
2-1"	2-1"	1-1"	4-1"	GUP315‡‡

*Furnished with 3-3/4" pipe plugs.
 †Furnished with 7-3/4" pipe plugs.
 ‡Furnished with 4-3/4" pipe plugs and 3-1" pipe plugs.
 ‡‡Furnished with 4-1" pipe plugs and 3-1" pipe plugs.

Dimensions In Inches:



For conduit liner ordering information, see page 860.



GUP315 Only