

Class H(K) and R Fuse Blocks – 250V

H250 & R250 Series

Specifications

Descriptions:

H250 Series: 1-, 2- and 3-pole fuse blocks for use with Class H fuses.

R250 Series: 1-, 2- and 3-pole fuse blocks for use with Class R fuses (Bussmann LPN-RK and FRN-R and KTN-R fuses).

Dimensions: See Dimensions illustrations.

Ratings:

Volts: — 250Vac/dc (H250 & R250 Series)

Amps: — 1/10-100A

SCCR: — H250 Series; 10kA RMS Sym.

— R250 Series; 200kA RMS Sym.



Agency Information: CE, UL Listed UL 4248, Guide IZLT, File E14853; CSA Certified, Class 6225-01, File 47235.

Flammability Rating: UL 94V0.

Features and Benefits

- H250 fuse blocks provide one, two and three pole housing for Class H, K and R fuses at 250Vac.
- H250 fuse blocks are listed with a Short-Circuit Current Rating of 10kA RMS Sym.
- R250 fuse blocks provide 1-, 2- and 3-pole housing for Class R fuses at 250Vac.
- R250 fuse blocks are listed with a Short-Circuit Current Rating of 200kA RMS Sym.

Typical Applications

- 250Vac/dc or less Control Systems
- 250Vac/dc or less Industrial Control
- 250Vac/dc or less Industrial Control Circuits

Recommended DIN-Rail adapters for the 1/10-30A series

- see page 509.

Class H Fuseblocks (250V) Catalog Data (for NON and REN Fuses)

| Amps | Poles | Terminal Type (Suffix No.) | | | | | | | | | | Figure Number | Wire Range |
|------------|-------|----------------------------|---|-----------------------------|----------------|--|------------|-----------------------------|-------------|---------------------|---|---|------------|
| | | Screw | | | | | Box Lug w/ | | | | | | |
| | | Catalog Number | — | Clip with Reinforced Spring | Pressure Plate | Pressure Plate & Clip with Reinforced Spring | — | Clip with Reinforced Spring | Copper Only | 0.25" Quick Connect | — | | |
| 1/10 to 30 | 1 | H25030-1 | S | SR | P | PR | C | CR | — | Q | 1 | C, CR #2-14 Cu, #2-12 Al P, PR #10-18 Cu Only Q N/A S, SR #10-18 Cu Only | |
| | 2 | H25030-2 | S | SR | P | PR | C | CR | — | — | 2 | | |
| | 3 | H25030-3 | S | SR | P | PR | C | CR | — | — | 3 | | |
| 31 to 60 | 1 | H25060-1 | — | — | — | — | C | CR | CO | — | 4 | C, CR #2-14 Cu, #2-8 Al CO #2-14 Cu Only | |
| | 2 | H25060-2 | — | — | — | — | C | CR | CO | — | 5 | | |
| | 3 | H25060-3 | — | — | — | — | C | CR | CO | — | 6 | | |
| 61 to 100 | 1 | H25100-1 | — | SR | — | — | — | CR | — | — | 7 | CR #1/0-8 Cu/Al SR #8W/ Ring Terminal | |
| | 2 | H25100-2 | — | SR | — | — | — | CR | — | — | 8 | | |
| | 3 | H25100-3 | — | SR | — | — | — | CR | — | — | 9 | | |

Class H(K) and R Fuse Blocks – 250V

Class R Fuseblocks (250V) Catalog Data (for LPN-RK, FRN-R and KTN-R Fuses)

| Amps | Poles | Catalog Number | Terminal Type (Suffix No.) | | | | Fig. No. | Wire Range | |
|-----------------|-------|----------------|----------------------------|------------|---------------------|-----|----------|------------|--|
| | | | Screw w/ | Box Lug w/ | 0.25" Quick-Connect | | | | |
| 1/2 to 30 | 1 | R25030-1 | SR | PR | CR | COR | QR* | 1 | COR #6-14 Cu Only |
| | 2 | R25030-2 | SR | PR | CR | COR | — | 2 | CR #2-14 Cu, #2-12 Al |
| | 3 | R25030-3 | SR | PR | CR | COR | — | 3 | PR #10-18 Cu Only QR N/A SR #10-18 Cu Only |
| 31 to 60 | 1 | R25060-1 | — | — | CR | — | — | 4 | CR #2-14 Cu, #2-8 Al |
| | 2 | R25060-2 | — | — | CR | — | — | 5 | |
| | 3 | R25060-3 | — | — | CR | — | — | 6 | |
| 61 to 100 | 1 | R25100-1 | — | — | CR | — | — | 7 | CR 1/0-8 Cu/Al |
| | 2 | R25100-2 | — | — | CR | — | — | 8 | |
| | 3 | R25100-3 | — | — | CR | — | — | 9 | |

Dimensions - in 250V 1/2 to 30A

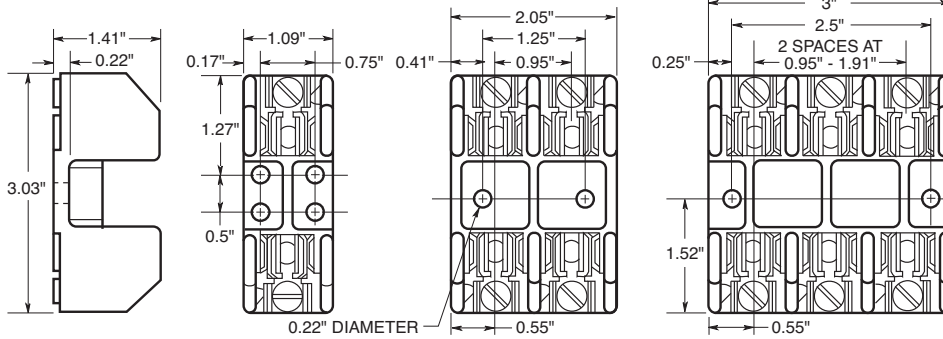


FIGURE 1.

FIGURE 2.

FIGURE 3.

250V, 31A to 60A

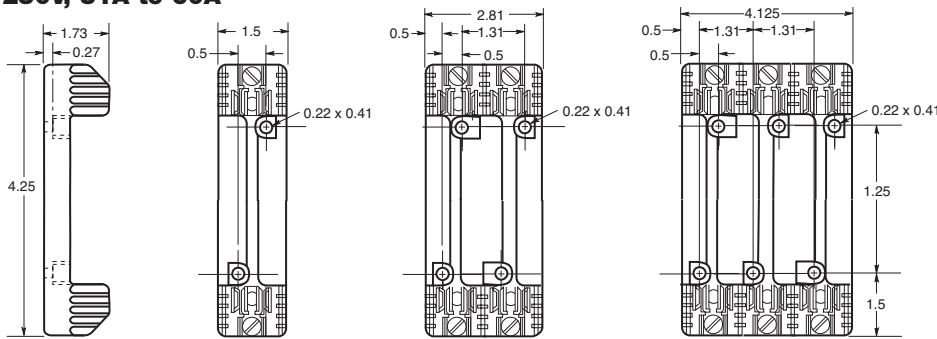


FIGURE 4.

FIGURE 5.

FIGURE 6.

250V, 61A to 100A

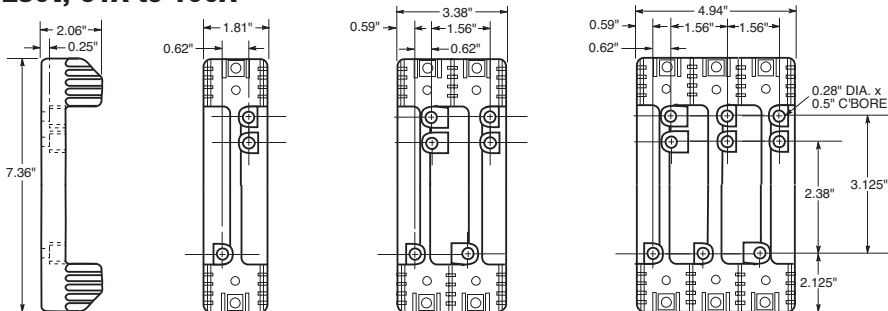


FIGURE 7.

FIGURE 8.

FIGURE 9.

Data Sheet: H250 Series, 1112; R250 Series, 1110

For product data sheets, visit www.cooperbussmann.com/DatasheetsEle

Class H(K) and R Fuse Blocks – 250V

H250 & R250 Series

Specifications

Descriptions:

H250 Series: 1-, 2- and 3-pole fuse blocks for use with Class H fuses.

R250 Series: 1-, 2- and 3-pole fuse blocks for use with Class R fuses (Bussmann LPN-RK and FRN-R and KTN-R fuses).

Dimensions: See Dimensions illustrations.

Ratings:

Volts: — 250Vac/dc (H250 & R250 Series)

Amps: — 1/10-100A

SCCR: — H250 Series; 10kA RMS Sym.

— R250 Series; 200kA RMS Sym.



Agency Information: CE, UL Listed UL 4248, Guide IZLT, File E14853; CSA Certified, Class 6225-01, File 47235.

Flammability Rating: UL 94V0.

Features and Benefits

- H250 fuse blocks provide one, two and three pole housing for Class H, K and R fuses at 250Vac.
- H250 fuse blocks are listed with a Short-Circuit Current Rating of 10kA RMS Sym.
- R250 fuse blocks provide 1-, 2- and 3-pole housing for Class R fuses at 250Vac.
- R250 fuse blocks are listed with a Short-Circuit Current Rating of 200kA RMS Sym.

Typical Applications

- 250Vac/dc or less Control Systems
- 250Vac/dc or less Industrial Control
- 250Vac/dc or less Industrial Control Circuits

Recommended DIN-Rail adapters for the 1/10-30A series

- see page 509.

Class H Fuseblocks (250V) Catalog Data (for NON and REN Fuses)

| Amps | Poles | Terminal Type (Suffix No.) | | | | | | | | | | Figure Number | Wire Range |
|------------|-------|----------------------------|---|-----------------------------|----------------|--|------------|-----------------------------|-------------|---------------------|---|---|------------|
| | | Screw | | | | | Box Lug w/ | | | | | | |
| | | Catalog Number | — | Clip with Reinforced Spring | Pressure Plate | Pressure Plate & Clip with Reinforced Spring | — | Clip with Reinforced Spring | Copper Only | 0.25" Quick Connect | | | |
| 1/10 to 30 | 1 | H25030-1 | S | SR | P | PR | C | CR | — | Q | 1 | C, CR #2-14 Cu, #2-12 Al P, PR #10-18 Cu Only Q N/A S, SR #10-18 Cu Only | |
| | 2 | H25030-2 | S | SR | P | PR | C | CR | — | — | 2 | | |
| | 3 | H25030-3 | S | SR | P | PR | C | CR | — | — | 3 | | |
| 31 to 60 | 1 | H25060-1 | — | — | — | — | C | CR | CO | — | 4 | C, CR #2-14 Cu, #2-8 Al CO #2-14 Cu Only | |
| | 2 | H25060-2 | — | — | — | — | C | CR | CO | — | 5 | | |
| | 3 | H25060-3 | — | — | — | — | C | CR | CO | — | 6 | | |
| 61 to 100 | 1 | H25100-1 | — | SR | — | — | — | CR | — | — | 7 | CR #1/0-8 Cu/Al SR #8W/ Ring Terminal | |
| | 2 | H25100-2 | — | SR | — | — | — | CR | — | — | 8 | | |
| | 3 | H25100-3 | — | SR | — | — | — | CR | — | — | 9 | | |

Class H(K) and R Fuse Blocks – 250V

Class R Fuseblocks (250V) Catalog Data (for LPN-RK, FRN-R and KTN-R Fuses)

| Amps | Poles | Catalog Number | Terminal Type (Suffix No.) | | | | Fig. No. | Wire Range | |
|------------|-------|----------------|----------------------------|------------|---------------------|-----|----------|------------|--|
| | | | Screw w/ | Box Lug w/ | 0.25" Quick-Connect | | | | |
| 1/40 to 30 | 1 | R25030-1 | SR | PR | CR | COR | QR* | 1 | COR #6-14 Cu Only |
| | 2 | R25030-2 | SR | PR | CR | COR | — | 2 | CR #2-14 Cu, #2-12 Al |
| | 3 | R25030-3 | SR | PR | CR | COR | — | 3 | PR #10-18 Cu Only QR N/A SR #10-18 Cu Only |
| 31 to 60 | 1 | R25060-1 | — | — | CR | — | — | 4 | CR #2-14 Cu, #2-8 Al |
| | 2 | R25060-2 | — | — | CR | — | — | 5 | |
| | 3 | R25060-3 | — | — | CR | — | — | 6 | |
| 61 to 100 | 1 | R25100-1 | — | — | CR | — | — | 7 | CR 1/0-8 Cu/Al |
| | 2 | R25100-2 | — | — | CR | — | — | 8 | |
| | 3 | R25100-3 | — | — | CR | — | — | 9 | |

Dimensions - in 250V 1/40 to 30A

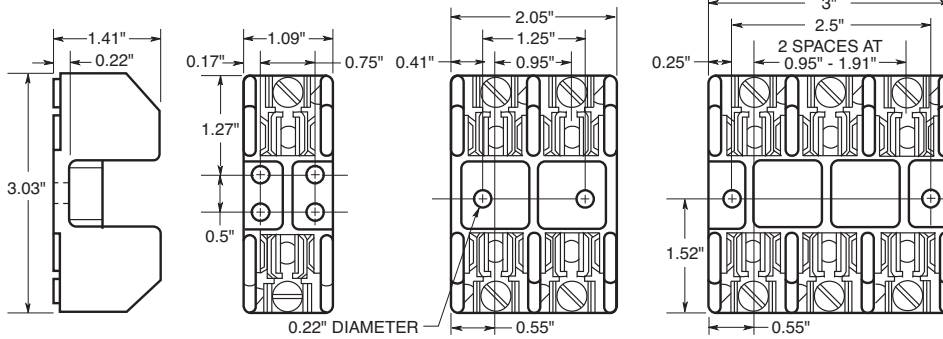


FIGURE 1.

FIGURE 2.

FIGURE 3.

250V, 31A to 60A

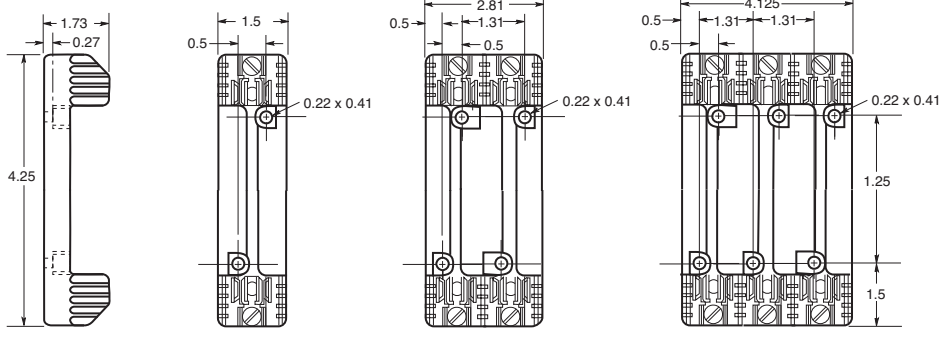


FIGURE 4.

FIGURE 5.

FIGURE 6.

250V, 61A to 100A

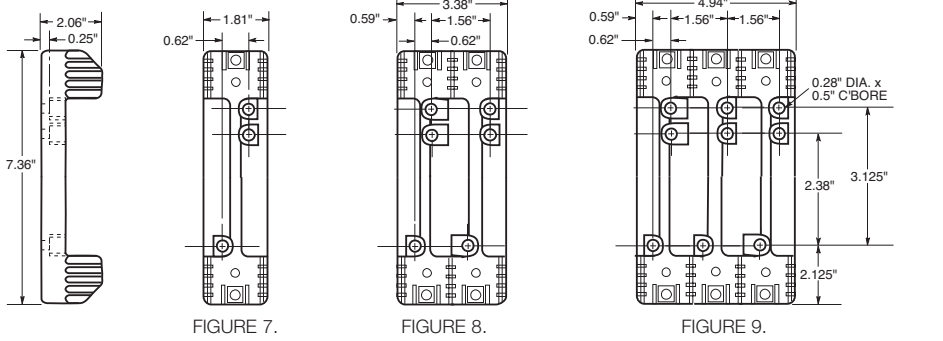


FIGURE 7.

FIGURE 8.

FIGURE 9.

Data Sheet: H250 Series, 1112; R250 Series, 1110

For product data sheets, visit www.cooperbussmann.com/DatasheetsEle