

DESCRIPTION

The H99ICAT is a small aperture IC AIR-TITE™ housing for accent and task lighting. It is designed for use in insulated ceilings where it will be in direct contact with insulation. It is an AIR-TITE™ housing designed to prevent air flow between living spaces and unconditioned areas.

Catalog #	Type
Project	
Comments	
Prepared by	Date

SPECIFICATION FEATURES

Housing

- Double wall aluminum construction helps dissipate heat. The inner housing can be adjusted in the plaster frame to compensate for different ceiling materials.
- Designed for insulated ceilings in direct contact with insulation. (May also be installed in non-insulated ceilings.)

Plaster Frame

- Galvanized steel die-formed construction.
- The inner housing can be removed from plaster frame to provide access to the junction box.
- Plaster frame features include:
 - Patented regressed locking screw positioned for securing hanger bars from below the ceiling.
 - Cutouts for easily crimping hanger bars in position.
 - AIR-TITE aperture gasket is pre-installed.
 - HALO identity embossed on plaster frame

SLIDE-N-SIDE™ Junction Box

- Positioned to accommodate straight conduit runs
- Seven 1/2" trade size conduit knockouts with true pry-out slots
- Slide-N-Side wire traps allow non-metallic sheathed cable to be installed without tools and without removing knockouts.
- Accepts a wide range of non-metallic (type NM) sheathed cables - the standard cable

- types used in lighting in both U.S. and Canada.
- Allows wiring connections to be made outside the junction box
 - Simply insert the cable directly into the trap after connections are made.
 - Accommodates the following standard non-metallic sheathed cable sizes: (US) #14/2, #14/3, #12/2, #12/3 (Canada) #14/2, #14/3, #12/2

"Quick Connect" Connectors

Three quick connect wiring connectors included.

GOT NAIL! Pass-N-Thru™ Bar Hangers

- Pre-installed nail easily installs in regular lumber, engineered lumber and laminated beams.
- Safety and guidance system prevents snagging, ensures smooth straight nail penetration and allows bar hangers to be easily removed if necessary.
- Automatic levelling flange aligns the housing and lets you hold the housing in place with one hand while driving nails.
- Housing can be positioned at any point within 24" joist span.
- Pass-N-Thru™ feature allows bar hangers to be shortened without removing from plaster frame.
- Score lines allow "toolless" shortening for 12" joists.
- Integral T-bar clip snaps onto T-bars - no additional clips required

Socket

Fixed position porcelain socket

with nickel plated brass screw shell provides consistent lamp positioning and ease of installation.

Thermal Protector

Thermal protector deactivates fixture if overheating occurs due to improper lamping.

Labels

- UL/cUL Listed 1598 Luminaire
- UL/cUL Damp Location Listed
- UL/cUL Listed for Wet Location, covered ceiling - with select trims
- UL/cUL Listed for Feed Through
- UL/cUL listed for Direct Contact with insulation and combustible material

Qualification IC and AIR-TITE™

Certified under ASTM-E283 and listed UL/cUL 1598. May be used to meet insulated ceiling and restricted air-flow requirements such as:

- Washington State Energy Code
- International Energy Conservation Code (IECC)
- New York State Energy Conservation Construction Code (NY-ECCC)
- State of California Title 24 "Recessed Luminaires in Insulated Ceilings."

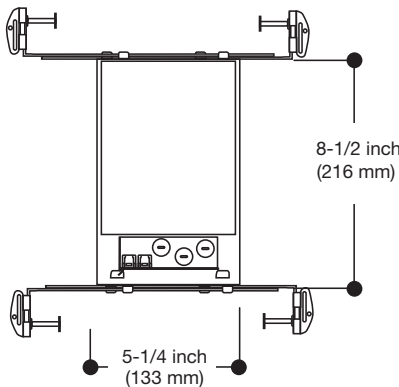
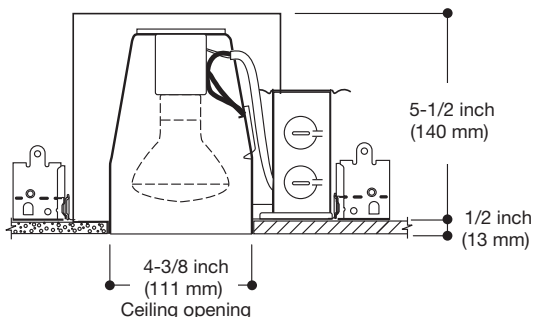


H99ICAT

4" Insulated Ceiling AIR-TITE™ Recessed Housing

4" TRIMS

FOR USE IN INSULATED CEILINGS
FOR DIRECT CONTACT WITH INSULATION



TRIMS

ORDERING INFORMATION

SAMPLE NUMBER: H99ICAT-999P

Order housing and trims separately.

Housing

Trims

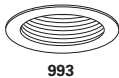
H99ICAT= 4" AIR-TITE™ Insulated Ceiling Small Aperture Housing

REFLECTORS

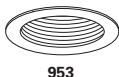


Reflector Cone
40W R16, 50W R20, 50W PAR20
999P=Specular Clear, White Trim Ring
999AC=Antique Copper with Antique Copper Trim Ring
999RG=Residential Gold, white trim ring
999P=White Reflector, White Trim Ring
999H=Haze Reflector, White Trim Ring
999MB=Specular Black Reflector, White Trim Ring
999SN=Satin Nickel Reflector with Satin Nickel Trim Ring
999TBZ=Tuscan Bronze Reflector with Tuscan Bronze Trim Ring
OD: 5 1/16" (129mm)

BAFFLES



Coilex Baffle with Die Cast Trim Ring
30W R20, 35W PAR20, 50W PAR20 with H1999 Socket Extender
993P=Black Baffle with White Trim Ring
993AC=Black Baffle with Antique Copper Trim Ring
993PB=Black Baffle with Polished Brass Trim Ring
993W=White Baffle with White Trim Ring
993SN=Black Baffle with Satin Nickel Trim Ring
993TBZ=Black Baffle with Tuscan Bronze Trim Ring
OD: 5 1/16" (129mm)



Metal Baffle with Die Cast Trim Ring
30W R20, 35W PAR20; 50W PAR20 with H1999 Socket Extender
953P=Black Baffle with White Trim Ring
953W=White Baffle with White Trim Ring
953AC=Antique Copper Baffle with Antique Copper Trim Ring
953SN=Satin Nickel Baffle with Satin Nickel Trim Ring
953TBZ=Tuscan Bronze Baffle with Tuscan Bronze Trim Ring
OD: 5 1/16" (129mm)



Full Cone Metal Baffle
40W A19, (50W R20 - ERT413WHT only), 45W R20, 50W PAR 20
ERT413WHT=High Gloss Appliance White Trim Ring with White Baffle
ERT413=High Gloss Appliance White Trim Ring with Black Baffle
OD: 5 1/16" (129mm)

ADJUSTABLES



Eyeball - 15° Tilt
50W PAR20
996P=White Eyeball
996AC=Antique Copper Eyeball
996SN=Satin Nickel Eyeball
996TBZ=Tuscan Bronze Eyeball
OD: 5 1/16" (129mm)



Eyeball - 30° Tilt
40W R16
998P=White Eyeball
998AC=Antique Copper Eyeball
998PB=Polished Brass Eyeball
998SN=Satin Nickel Eyeball
998TBZ=Tuscan Bronze Eyeball
OD: 5 1/16" (129mm)

OPEN

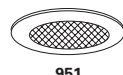


Metropolitan Ice Light
30W R20
945=Clear Frosted
945BLUE=Blue Frosted
OD: 5 5/16" (135mm)



Metropolitan Deco
35W R20
946BC=Green Tint Rings with Black Chrome Metal Body
946PB=Green Tint Rings with Polished Brass Metal Body
OD: 5 5/8" (143mm)

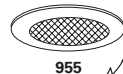
SHOWER LIGHT



Shower Light, Full Reflector
30W R20, 35W PAR20; 50W PAR20 with H1999 Socket Extender
951PS=Shower Light, White Trim Ring, Glass Lens
951ACS=Shower Light, Antique Copper Trim Ring, Glass Lens
951SNS=Shower Light, Satin Nickel Trim Ring, Glass Lens
951TBZS=Shower Light, Tuscan Bronze Trim Ring, Glass Lens
OD: 5 1/16" (129mm)



Frosted Dome Lens Shower Light, Cone Reflector
30W R20, 35W PAR20; 50W PAR20 with H1999 Socket Extender
952PS=White Trim Ring, Dome Lens Shower Light



Shower Light, Cone Reflector
30W R20, 35W PAR20
955PS=Shower Light, White Trim Ring, Glass Lens

Accessories



Socket Extender
H1999=Socket extender for use with PAR lamps with 993 Coilex Baffle Trim

Note: Specifications and Dimensions subject to change without notice.

Visit our web site at www.cooperlighting.com

DESCRIPTION

The H99ICAT is a small aperture IC AIR-TITE™ housing for accent and task lighting. It is designed for use in insulated ceilings where it will be in direct contact with insulation. It is an AIR-TITE™ housing designed to prevent air flow between living spaces and unconditioned areas.

Catalog #	Type
Project	
Comments	
Prepared by	Date

SPECIFICATION FEATURES

Housing

- Double wall aluminum construction helps dissipate heat. The inner housing can be adjusted in the plaster frame to compensate for different ceiling materials.
- Designed for insulated ceilings in direct contact with insulation. (May also be installed in non-insulated ceilings.)

Plaster Frame

- Galvanized steel die-formed construction.
- The inner housing can be removed from plaster frame to provide access to the junction box.
- Plaster frame features include:
 - Patented regressed locking screw positioned for securing hanger bars from below the ceiling.
 - Cutouts for easily crimping hanger bars in position.
 - AIR-TITE aperture gasket is pre-installed.
 - HALO identity embossed on plaster frame

SLIDE-N-SIDE™ Junction Box

- Positioned to accommodate straight conduit runs
- Seven 1/2" trade size conduit knockouts with true pry-out slots
- Slide-N-Side wire traps allow non-metallic sheathed cable to be installed without tools and without removing knockouts.
- Accepts a wide range of non-metallic (type NM) sheathed cables - the standard cable

- types used in lighting in both U.S. and Canada.
- Allows wiring connections to be made outside the junction box
 - Simply insert the cable directly into the trap after connections are made.
 - Accommodates the following standard non-metallic sheathed cable sizes: (US) #14/2, #14/3, #12/2, #12/3 (Canada) #14/2, #14/3, #12/2

"Quick Connect" Connectors

Three quick connect wiring connectors included.

GOT NAIL! Pass-N-Thru™ Bar Hangers

- Pre-installed nail easily installs in regular lumber, engineered lumber and laminated beams.
- Safety and guidance system prevents snagging, ensures smooth straight nail penetration and allows bar hangers to be easily removed if necessary.
- Automatic levelling flange aligns the housing and lets you hold the housing in place with one hand while driving nails.
- Housing can be positioned at any point within 24" joist span.
- Pass-N-Thru™ feature allows bar hangers to be shortened without removing from plaster frame.
- Score lines allow "toolless" shortening for 12" joists.
- Integral T-bar clip snaps onto T-bars - no additional clips required

Socket

Fixed position porcelain socket

with nickel plated brass screw shell provides consistent lamp positioning and ease of installation.

Thermal Protector

Thermal protector deactivates fixture if overheating occurs due to improper lamping.

Labels

- UL/cUL Listed 1598 Luminaire
- UL/cUL Damp Location Listed
- UL/cUL Listed for Wet Location, covered ceiling - with select trims
- UL/cUL Listed for Feed Through
- UL/cUL listed for Direct Contact with insulation and combustible material

Qualification IC and AIR-TITE™

- Certified under ASTM-E283 and listed UL/cUL 1598. May be used to meet insulated ceiling and restricted air-flow requirements such as:
- Washington State Energy Code
 - International Energy Conservation Code (IECC)
 - New York State Energy Conservation Construction Code (NY-ECCC)
 - State of California Title 24 "Recessed Luminaires in Insulated Ceilings."

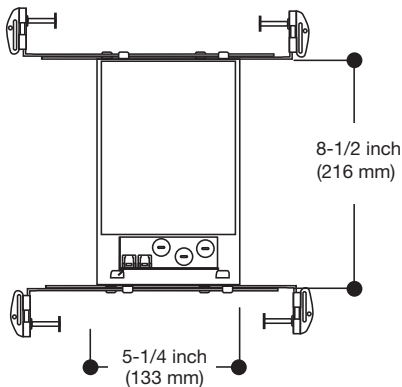
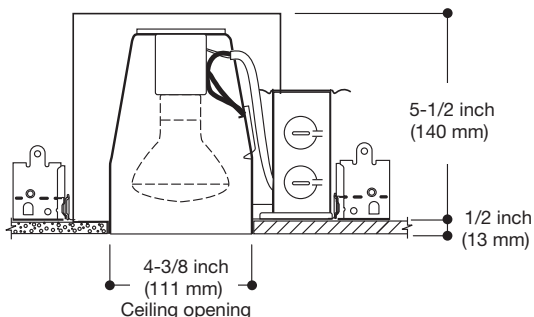


H99ICAT

4" Insulated Ceiling AIR-TITE™ Recessed Housing

4" TRIMS

FOR USE IN INSULATED CEILINGS
FOR DIRECT CONTACT WITH INSULATION



TRIMS

ORDERING INFORMATION

SAMPLE NUMBER: H99ICAT-999P

Order housing and trims separately.

Housing

Trims

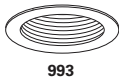
H99ICAT= 4" AIR-TITE™ Insulated Ceiling Small Aperture Housing

REFLECTORS

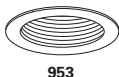


Reflector Cone
40W R16, 50W R20, 50W PAR20
999P=Specular Clear, White Trim Ring
999AC=Antique Copper with Antique Copper Trim Ring
999RG=Residential Gold, white trim ring
999P=White Reflector, White Trim Ring
999H=Haze Reflector, White Trim Ring
999MB=Specular Black Reflector, White Trim Ring
999SN=Satin Nickel Reflector with Satin Nickel Trim Ring
999TBZ=Tuscan Bronze Reflector with Tuscan Bronze Trim Ring
OD: 5 1/16" (129mm)

BAFFLES



Coilex Baffle with Die Cast Trim Ring
30W R20, 35W PAR20, 50W PAR20 with H1999 Socket Extender
993P=Black Baffle with White Trim Ring
993AC=Black Baffle with Antique Copper Trim Ring
993PB=Black Baffle with Polished Brass Trim Ring
993W=White Baffle with White Trim Ring
993SN=Black Baffle with Satin Nickel Trim Ring
993TBZ=Black Baffle with Tuscan Bronze Trim Ring
OD: 5 1/16" (129mm)



Metal Baffle with Die Cast Trim Ring
30W R20, 35W PAR20; 50W PAR20 with H1999 Socket Extender
953P=Black Baffle with White Trim Ring
953W=White Baffle with White Trim Ring
953AC=Antique Copper Baffle with Antique Copper Trim Ring
953SN=Satin Nickel Baffle with Satin Nickel Trim Ring
953TBZ=Tuscan Bronze Baffle with Tuscan Bronze Trim Ring
OD: 5 1/16" (129mm)



Full Cone Metal Baffle
40W A19, (50W R20 - ERT413WHT only), 45W R20, 50W PAR 20
ERT413WHT=High Gloss Appliance White Trim Ring with White Baffle
ERT413=High Gloss Appliance White Trim Ring with Black Baffle
OD: 5 1/16" (129mm)

ADJUSTABLES



Eyeball - 15° Tilt
50W PAR20
996P=White Eyeball
996AC=Antique Copper Eyeball
996SN=Satin Nickel Eyeball
996TBZ=Tuscan Bronze Eyeball
OD: 5 1/16" (129mm)



Eyeball - 30° Tilt
40W R16
998P=White Eyeball
998AC=Antique Copper Eyeball
998PB=Polished Brass Eyeball
998SN=Satin Nickel Eyeball
998TBZ=Tuscan Bronze Eyeball
OD: 5 1/16" (129mm)

OPEN

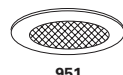


Metropolitan Ice Light
30W R20
945=Clear Frosted
945BLUE=Blue Frosted
OD: 5 5/16" (135mm)



Metropolitan Deco
35W R20
946BC=Green Tint Rings with Black Chrome Metal Body
946PB=Green Tint Rings with Polished Brass Metal Body
OD: 5 5/8" (143mm)

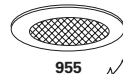
SHOWER LIGHT



Shower Light, Full Reflector
30W R20, 35W PAR20; 50W PAR20 with H1999 Socket Extender
951PS=Shower Light, White Trim Ring, Glass Lens
951ACS=Shower Light, Antique Copper Trim Ring, Glass Lens
951SNS=Shower Light, Satin Nickel Trim Ring, Glass Lens
951TBZS=Shower Light, Tuscan Bronze Trim Ring, Glass Lens
OD: 5 1/16" (129mm)



Frosted Dome Lens Shower Light, Cone Reflector
30W R20, 35W PAR20; 50W PAR20 with H1999 Socket Extender
952PS=White Trim Ring, Dome Lens Shower Light



Shower Light, Cone Reflector
30W R20, 35W PAR20
955PS=Shower Light, White Trim Ring, Glass Lens

Accessories



Socket Extender
H1999=Socket extender for use with PAR lamps with 993 Coilex Baffle Trim

Note: Specifications and Dimensions subject to change without notice.

Visit our web site at www.cooperlighting.com