

LED Linear High Bay

Applications

The HB by TCP LED High Bay family is a versatile solution for endless applications. With an all metal frame, and included mounting hardware, the HB by TCP is quick to install and will provide a long lasting durable light source for years to come.

Features

- Post painted steel frame with no scalloping and pop riveted and rounded edge corners
- Standard frosted lens for glare control
- No shadows, smooth even lighting
- Damp location rated
- 0-10V smooth no flicker dimming
- Operating temperature: -4° to 122°F
- 250 or 400W HID equivalent
- Long 50,000 hour rated life
- Wide beam spread due to angled LED design providing clean cut off
- Optional battery backup or motion sensors available
- Includes 6-Foot power cord

Hardware Included:

- 2 Tong Hangers
- 5' Jack Chains
- Hub Mount Kit for 3/4" Conduit/Stem Mount
- 6-Foot Pre-wired Cord

Applications

High ceiling locations in commercial, industrial, retail, or warehouse settings.

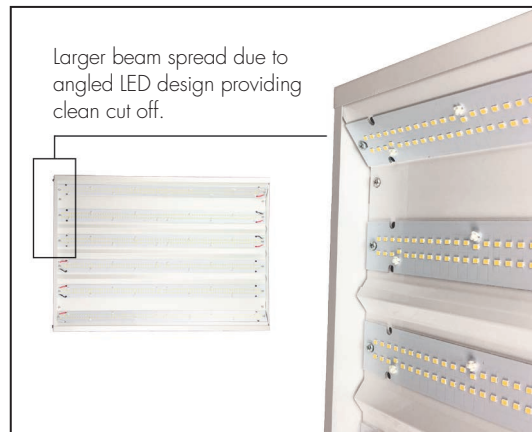


Listings

cULus Listed
RoHS Compliant
DLC v4.4 Premium

Warranty

Five year limited warranty against defects in manufacturing



Larger beam spread due to angled LED design providing clean cut off.



5 YEAR WARRANTY



Not all versions of this product are qualified on the DLC QPL. To view our DLC qualified products, please consult the DLC Qualified Products List at www.designlights.org/aql.

Catalog Ordering Matrix Example: HB21000150

HB					
FAMILY	WATTS ¹²	VOLTAGE	COLOR TEMPERATURE	EMERGENCY BACK-UP (OPTIONAL)	OPTIONS
HB – LED Linear High Bay	105 – 13,500 Lumens 150 – 18,500 Lumens 210 – 27,500 Lumens	001 – 120-277V 002 – 347-480V	40 – 4000K 50 – 5000K	B – Battery back-up	MOTION SENSOR LS1 – Leviton Occupancy Sensor w/bracket and interchangeable lenses, 40' or less, 120V, 277V, or 347V

¹ Actual wattage may differ by +/- 10%.

² Approximate lumen output. Actual performance may vary based on CCT, options selected and end user application.

REPLACEMENT LENS PANELS

OT00040 – Replacement Lens Panels for HB10500150 & HB15000150 (available separately)

OT00040A – Replacement Lens Panels for HB21000150 (available separately)

WIRE GUARDS

HB1WG – Wire Guard for HB10500150 & HB15000150 (available separately)

HB2WG – Wire Guard for HB21000150 (available separately)

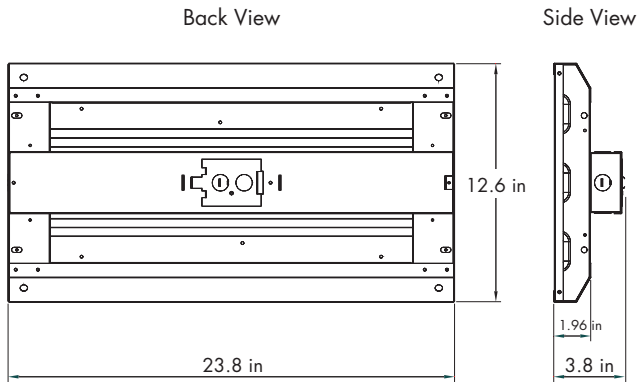
MOTION SENSOR (Sold separately)

GYZJ00001 – Quick Snap Motion Sensor (available pre-assembled or in box)

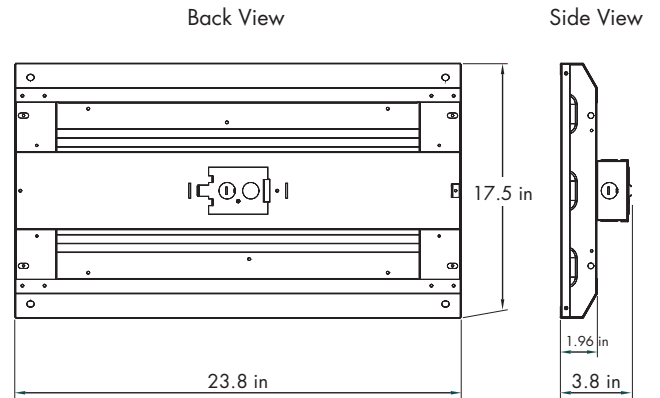
LED Linear High Bay

LED TECHNICAL DATA

Dimensions



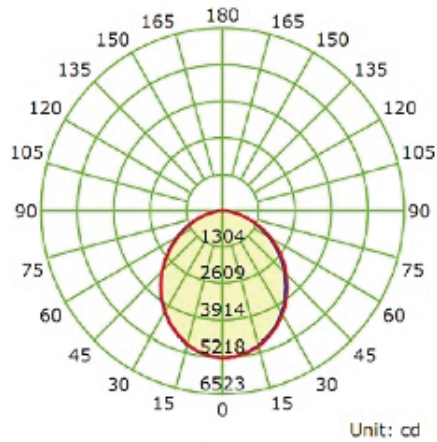
HB105 and HB150
(23.8 x 12.6 inches)



HB210
(23.8 x 17.5 inches)

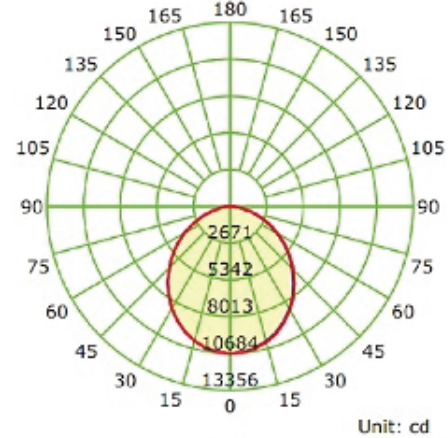
Photometric Report

HB10500150



	C0/180	C45/225	C90/270	C135/315	AVG.
Beam Angle (50% I _{beam}):	102.9	103.2	103.8	103.2	103.3
Field Angle (10% I _{beam}):	157.1	157.1	157.0	157.0	157.1

HB21000150



	C0/180	C45/225	C90/270	C135/315	AVG.
Beam Angle (50% I _{beam}):	102.8	103.0	103.3	102.9	103.0
Field Angle (10% I _{beam}):	157.1	157.1	157.1	157.2	157.1

Specifications and dimensions subject to change without notice.