

# Twist-Lock® Devices

## 30A, 125V, 2 Pole, 3 Wire Grounding Spring Termination Single Flush Receptacle

# HUBBELL

### Features

- Faster termination time
- No need for screwdriver and torque wrench
- Spring Termination eliminates strand relaxation
- High-impact, abuse-resistant nylon face
- Face color coding by voltage facilitates locating and mating of proper devices

### Ordering Information

Description	Device Color	UPC	Catalog Number
Nylon face, back wire.	Black	783585569567	HBL2610ST

### Listings

Listed to UL 498  
Certified to CSA C22.2 No.42

### Specifications

Face	Nylon
Base	Nylon
Contacts	Brass
Spring	Steel
Mounting Strap	Brass

### Performance

Electrical	
Current Interrupting	Certified for current interrupting at full rated current

Dielectric Voltage	Withstands 2,000V minimum
--------------------	---------------------------

#### Mechanical

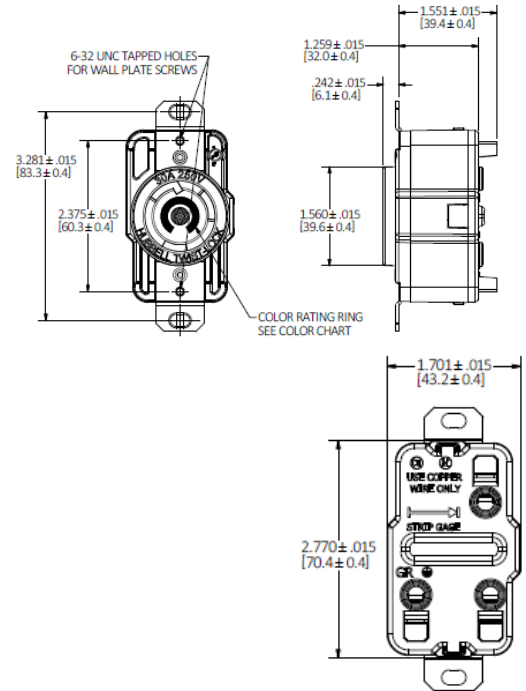
Terminal Accommodation	#10 AWG Solid, #10 AWG to #8 AWG Stranded, #8 AWG Compact
Terminal Identification	Terminals identified in accordance with UL 498

#### Environmental

Flammability	V2 or better per UL94/CSA 22.2 No.0.17
Moisture Resistance	IP20 Suitability
Operating Temperatures	Maximum Continuous 75°C; Minimum -40°C (w/o impact)



30A 125V  
NEMA L5-30R  
UL/CSA  
2 HP



### Complementary Products

Plug	HBL2611
Wallplate or Weatherproof Cover	1.60" Opening
Switched Enclosure	SETL3

### Online Resources

Customer Use Drawing  
eCatalog  
Installation Instructions

Dimensions in Inches (mm)

Hubbell Wiring Device-Kellems • Hubbell Incorporated (Delaware) • 40 Waterview Drive • Shelton, CT 06484

Phone (800) 288-6000 • Fax (800) 255-1031 • Specifications subject to change without notice.

