

# Twist-Lock® Devices 30A, 125/250V AC, 3 Pole, 4 Wire Grounding Insulgrip® Plug

# HUBBELL

## Features

- Superior cord grip design protects terminations from excess strain.
- Clear, funnel shaped wire entry for ease of termination.
- Integral dust shield protects wiring chamber from dust or contaminants.

## Ordering Information

| Description            | Cord Diameter       | UPC          | Catalog Number |
|------------------------|---------------------|--------------|----------------|
| Black and white nylon. | .350"-1.150" (9-29) | 783585039145 | HBL2711        |

## Listings

Listed to UL 498  
Fed.Spec. W-C-596  
Certified to CSA C22.2 No.42

## Specifications

|                      |   |
|----------------------|---|
| Housing / Cord Clamp | Nylon   |
| Terminal Retainer    | Clear polycarbonate                           |
| Blades               | Brass   |
| Terminal Screws      | #10-32 Brass (Phillips / Slotted / Robertson) |
| Terminal Clamp       | Cold rolled steel – nickel plated             |
| Assembly Screws      | Steel - nickel plated                         |

## Performance

### Electrical

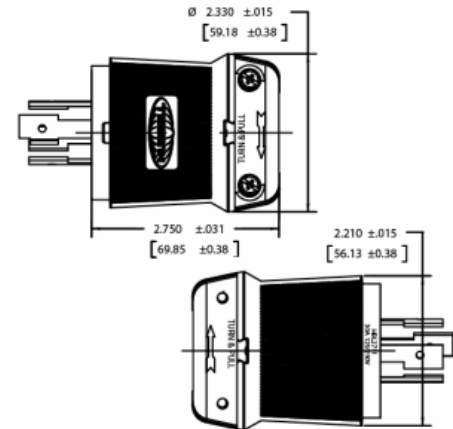
|                      |  |
|----------------------|--|
| Current Interrupting | Certified for current interrupting at full rated current |
| Dielectric Voltage   | Withstands 2,000V minimum                                |

### Mechanical

|                         |  |
|-------------------------|--|
| Terminal Accommodation  | #16 AWG - #8 AWG stranded copper wire only.    |
| Terminal Identification | Terminals identified in accordance with UL 498 |

### Environmental

|                        |   |
|------------------------|---|
| Flammability           | HB or better per UL94/CSA 22.2 No.0.17              |
| Moisture Resistance    | IP20 Suitability                                    |
| Operating Temperatures | Maximum Continuous 75°C; Minimum -40°C (w/o impact) |



## Accessories

|                    |         |
|--------------------|---------|
| Connector          | HBL2713 |
| Single Receptacle  | HBL2710 |
| Flanged Receptacle | HBL2716 |
| Weatherproof Boot  | HBL6035 |

## Resources

Customer Use Drawing  
eCatalog

Dimensions in Inches (mm)

Hubbell Wiring Device-Kellems • Hubbell Incorporated (Delaware) • 40 Waterview Drive • Shelton, CT 06484

Phone (800) 288-6000 • Fax (800) 255-1031 • Specifications subject to change without notice.



# Twist-Lock® Devices 30A, 125/250V AC, 3 Pole, 4 Wire Grounding Insulgrip® Plug

# HUBBELL

## Features

- Superior cord grip design protects terminations from excess strain.
- Clear, funnel shaped wire entry for ease of termination.
- Integral dust shield protects wiring chamber from dust or contaminants.

## Ordering Information

| Description            | Cord Diameter       | UPC          | Catalog Number |
|------------------------|---------------------|--------------|----------------|
| Black and white nylon. | .350"-1.150" (9-29) | 783585039145 | HBL2711        |

## Listings

Listed to UL 498  
Fed.Spec. W-C-596  
Certified to CSA C22.2 No.42

## Specifications

|                      |   |
|----------------------|---|
| Housing / Cord Clamp | Nylon   |
| Terminal Retainer    | Clear polycarbonate                           |
| Blades               | Brass   |
| Terminal Screws      | #10-32 Brass (Phillips / Slotted / Robertson) |
| Terminal Clamp       | Cold rolled steel – nickel plated             |
| Assembly Screws      | Steel - nickel plated                         |

## Performance

### Electrical

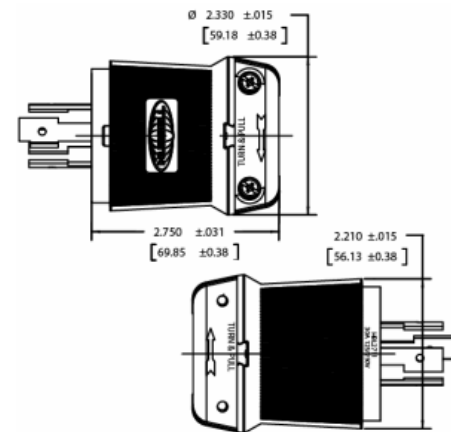
|                      |  |
|----------------------|--|
| Current Interrupting | Certified for current interrupting at full rated current |
| Dielectric Voltage   | Withstands 2,000V minimum                                |

### Mechanical

|                         |  |
|-------------------------|--|
| Terminal Accommodation  | #16 AWG - #8 AWG stranded copper wire only.    |
| Terminal Identification | Terminals identified in accordance with UL 498 |

### Environmental

|                        |   |
|------------------------|---|
| Flammability           | HB or better per UL94/CSA 22.2 No.0.17              |
| Moisture Resistance    | IP20 Suitability                                    |
| Operating Temperatures | Maximum Continuous 75°C; Minimum -40°C (w/o impact) |



## Accessories

|                    |         |
|--------------------|---------|
| Connector          | HBL2713 |
| Single Receptacle  | HBL2710 |
| Flanged Receptacle | HBL2716 |
| Weatherproof Boot  | HBL6035 |

## Resources

Customer Use Drawing  
eCatalog

Dimensions in Inches (mm)

Hubbell Wiring Device-Kellems • Hubbell Incorporated (Delaware) • 40 Waterview Drive • Shelton, CT 06484

Phone (800) 288-6000 • Fax (800) 255-1031 • Specifications subject to change without notice.

