

## Switched Disconnects and Enclosures

### Non-Metallic Labelless Circuit-Lock<sup>®</sup> Switched Disconnect Enclosures

### Suitable as Motor Disconnects

#### Features

- Constructed from corrosion and impact resistant UV stabilized non-metallic material
- IP69k and Type 4X, 12K water ingress protection
- Certified by NSF for hygiene in food processing applications
- Highly visible red handle which meets OSHA Lockout/Tagout capabilities
- Reversible interior accomodates top or bottom conduit opening

#### Ordering Information

Description	UPC Number	Catalog Number
100A Disconnect switch	783585430652	HBLDS10

#### Listings

cULus Listed  
NSF Certified

#### Specifications

Enclosure: Base and Top	PBT
Handle	PBT
Conduit Hub	1 1/4 in. Zinc
Enclosure Gasket	Neoprene
Frame	Galvanized Steel
Enclosure Screws	Stainless Steel 300 Series
Shaft (Unfused)	PBT
Shaft Seal	Molded Neoprene

#### Performance

Electrical	
Current Interrupting	Certified for current interrupting at full rated current and voltage
Dielectric Voltage	Withstands 3000V AC minimum
Max. Working Voltage	600V AC RMS
Short Circuit Current Ratings (SCCR): (Motor Disconnect)	Suitable for use on a circuit capable of delivering not more than 65kA RMS symmetrical, 600V AC max. when protected by Class J fuses rated 100A max.

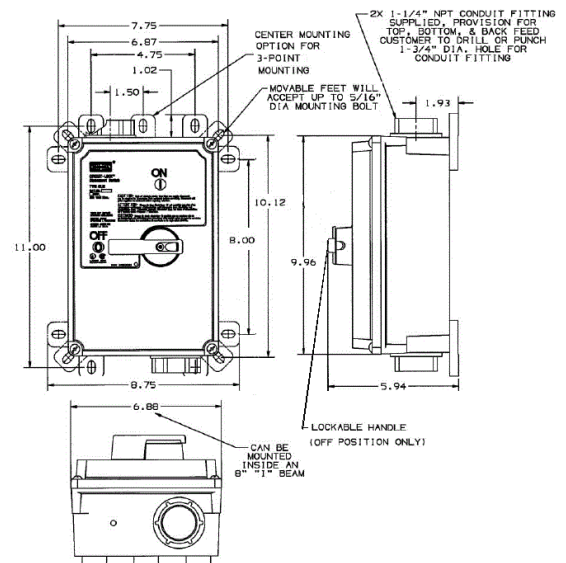
#### Mechanical

Impact Resistance	In accordance with UL 746C
Mounting	External fully adjustable feet
Terminal Identification	In accordance with UL, CSA and international conventions

#### Environmental

Flammability	UL94-5VA and V0 Classification
Moisture Resistance	Indoor and Outdoor – Type 4X (Wash down, Corrosion resistant); Indoor – Type 12 (Dust-tight, Falling Dirt, Noncorrosive Liquids).
Operating Temperature	Max. Continuous: 75°C; Min. Continuous: -40°C without impact
UV Resistance	All materials are UV stabilized

# HUBBELL



#### Complementary Products

Replacement Covers	HBLDS10RC
Replacement Ground Block	HBL60100RGB
Replacement Neutral Block	HBL100RNB
Replacement Switches	HBLDS60100RS
Replacement Mounting Feet	HBLRFT2

#### Online Resources

Customer Use Drawing  
eCatalog  
Installation Instructions

Dimensions in Inches (mm)

Hubbell Wiring Device-Kellems • Hubbell Incorporated (Delaware) • 40 Waterview Drive • Shelton, CT 06484

Phone (800) 288-6000 • Fax (800) 255-1031 • Specifications subject to change without notice.

