

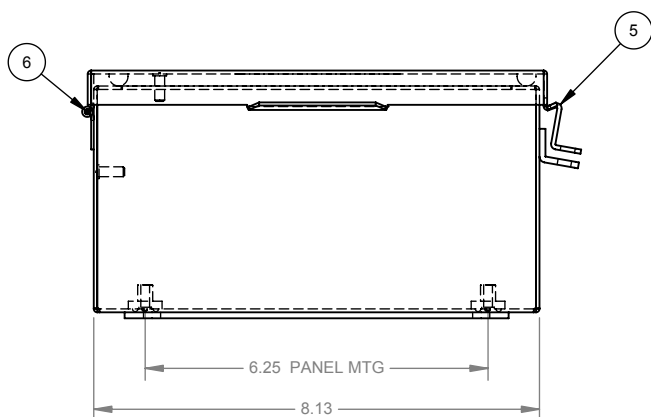
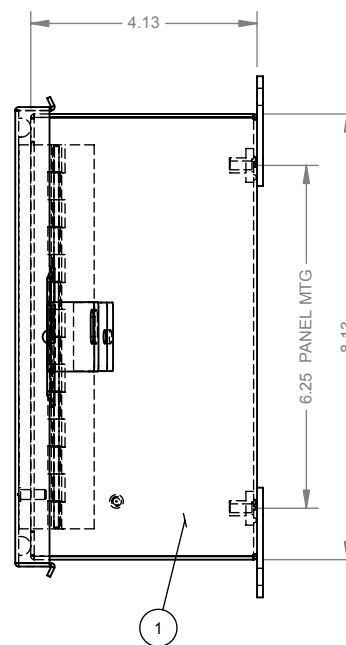
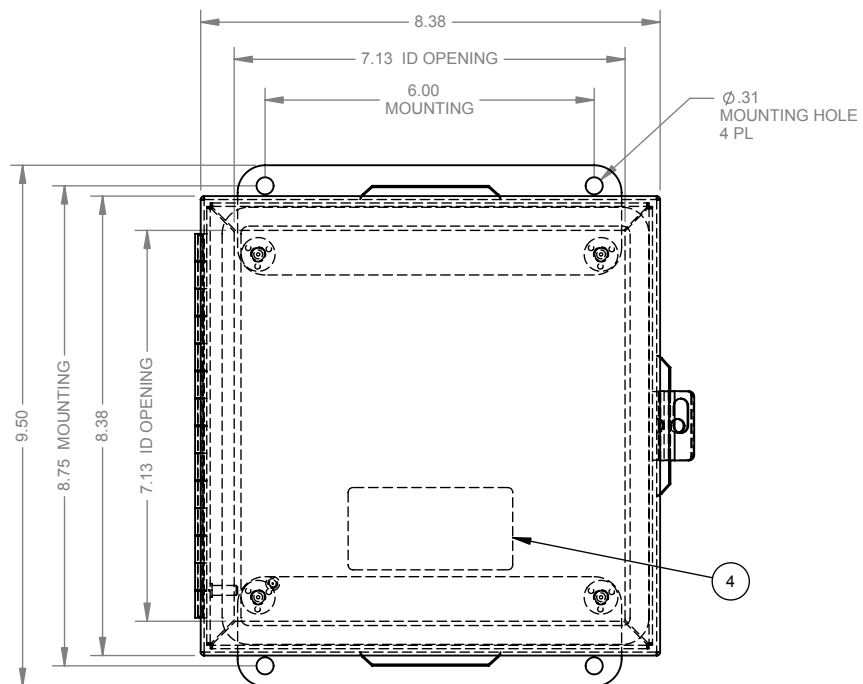


Catalog Number: HC884JIC12
Item Description: N12 JIC HINGE CVR ENCL
UPC Code: 784572112728

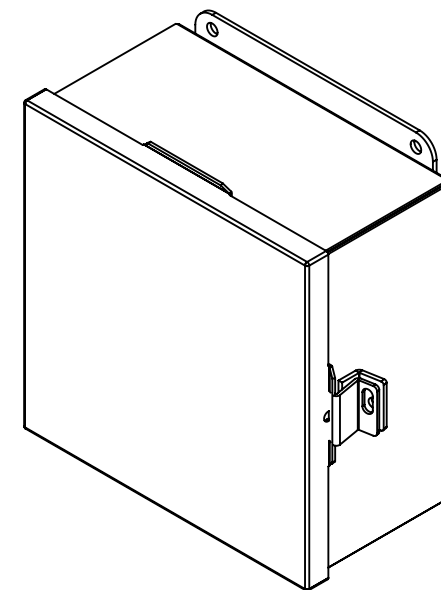
Brand Name: Milbank
Type: Hinge Cover
Special Features: Continuous Hinge with Removable Pin, 1 Door, Clamps and Screws on One Side, Collar Studs for Panels, External Mounting Feet
Application: Enclosure for Mounting Electrical Equipment
Standard: UL Listed
Number Of Outlet: 0
Material: Steel with Powder Coat Finish
Color: ANSI 61 Gray
Mounting: Wall Mount
NEMA Rating: Type 12



Utility requirements may vary. Always consult the serving utility for their requirements prior to ordering or installing this equipment. This product must always be installed by a licensed electrician. Installation of this equipment may require local electrical inspector approval.




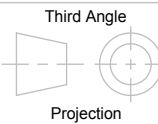
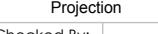
ITEM	QTY.	PART NUMBER	DESCRIPTION
1	1	504384	BACK WELDMENT
	1	202546	BACK
	4	1011649	WELD NUT (10-32)
	2	813729	MOUNTING EAR
	1	1011703	HINGE LEAF
	1	1092944	CLAMP BRACKET
	1	1002137	WELD STUD
2	1	917675	FRONT ASSY W/ FIP GASKET
	1	1000764	FRONT WELDMENT
	1	1011072	FRONT
	1	1011703	HINGE LEAF
	1	1002137	WELD STUD
	1	818221	GASKET, FOAM IN PLACE
3	1	1002646	BAG ASSY, (SCREWS)
4	1	1003115	LABEL (UL)
5	1	1000870	COVER CLAMP
6	1	1003394	HINGE PIN



CATALOG NUMBER	MATERIAL	FINISH
HC884JIC12	CRS	ANSI 61 GRAY
HC884JIC4XS	304 STA INLESS	GRAINED
HC884JIC4XZ	316 STA INLESS	GRAINED

NOTES:

- 1) PACK INSIDE ENCLOSURE (NOT SHOWN).
- 2. USE CARTON 705069 (4 PER) FOR SHIPPING.
- 3. WHEN SOLD AS (RC)- PREFIX USE LABEL #1125021 INSTEAD OF #1003115.

Material:	SEE CHART	 General Offices: Kansas City, MO
Finish:	SEE CHART	
Tolerances: Unless Specified Otherwise X.X ±.1 X.XX ±.03 X.XXX ±.015 X" ±2"		Title:
Third Angle 		Catalog No.:
Projection 		Customer:
Scale:	NTS	Drawing No.:
Drawn By:	DR	Date:
Checked By:		Sheet
Approved By:		1 of 1

E	5-20-02	ADDED GND STUD / NUT, CHGD FRONT - PMR 2819	DR			
E1	8-22-06	mECO #15092, ADDED NOTE #3.	CMW			

Title: HINGE COVER JIC 8 x 8 x 4, TYPE 4, 12 ENCLOSURE

Catalog No.: SEE CHART

Drawing No.: **638-11**

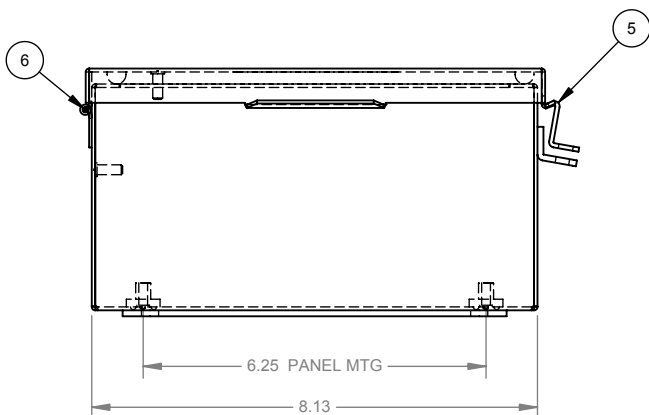
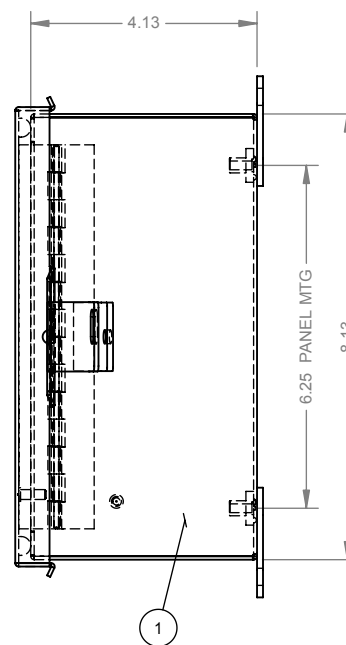
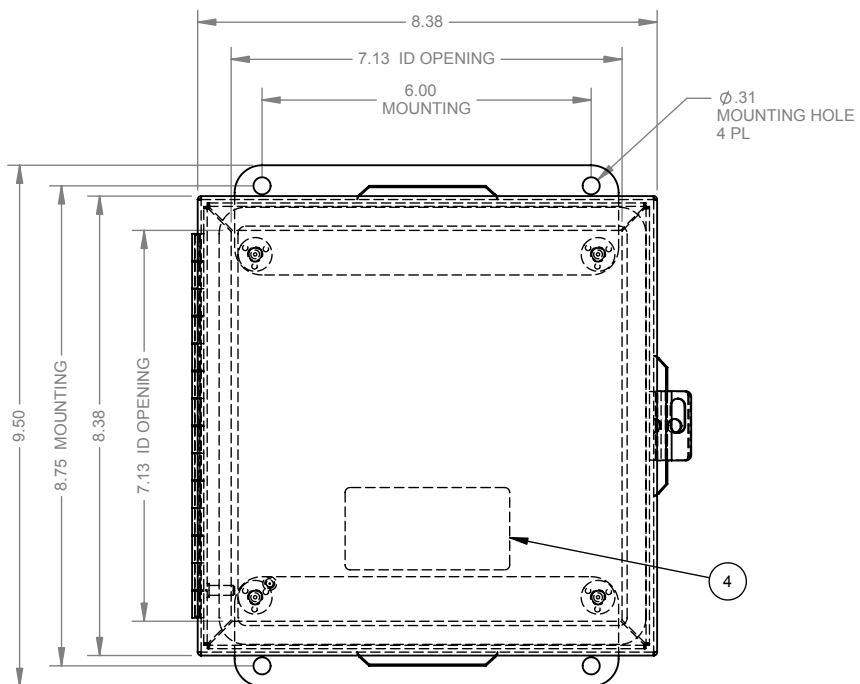


Catalog Number: HC884JIC12
Item Description: N12 JIC HINGE CVR ENCL
UPC Code: 784572112728

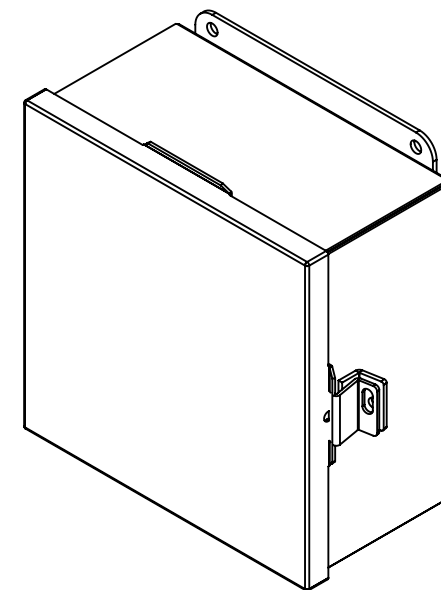
Brand Name: Milbank
Type: Hinge Cover
Special Features: Continuous Hinge with Removable Pin, 1 Door, Clamps and Screws on One Side, Collar Studs for Panels, External Mounting Feet
Application: Enclosure for Mounting Electrical Equipment
Standard: UL Listed
Number Of Outlet: 0
Material: Steel with Powder Coat Finish
Color: ANSI 61 Gray
Mounting: Wall Mount
NEMA Rating: Type 12



Utility requirements may vary. Always consult the serving utility for their requirements prior to ordering or installing this equipment. This product must always be installed by a licensed electrician. Installation of this equipment may require local electrical inspector approval.




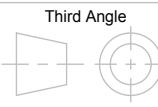
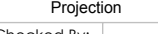
ITEM	QTY.	PART NUMBER	DESCRIPTION
1	1	504384	BACK WELDMENT
	1	202546	BACK
	4	1011649	WELD NUT (10-32)
	2	813729	MOUNTING EAR
	1	1011703	HINGE LEAF
	1	1092944	CLAMP BRACKET
	1	1002137	WELD STUD
2	1	917675	FRONT ASSY W/ FIP GASKET
	1	1000764	FRONT WELDMENT
	1	1011072	FRONT
	1	1011703	HINGE LEAF
	1	1002137	WELD STUD
	1	818221	GASKET, FOAM IN PLACE
3	1	1002646	BAG ASSY, (SCREWS)
4	1	1003115	LABEL (UL)
5	1	1000870	COVER CLAMP
6	1	1003394	HINGE PIN



CATALOG NUMBER	MATERIAL	FINISH
HC884JIC12	CRS	ANSI 61 GRAY
HC884JIC4XS	304 STA INLESS	GRAINED
HC884JIC4XZ	316 STA INLESS	GRAINED

NOTES:

- 1) PACK INSIDE ENCLOSURE (NOT SHOWN).
- 2. USE CARTON 705069 (4 PER) FOR SHIPPING.
- 3. WHEN SOLD AS (RC)- PREFIX USE LABEL #1125021 INSTEAD OF #1003115.

Material:	SEE CHART	 General Offices: Kansas City, MO
Finish:	SEE CHART	
Tolerances: Unless Specified Otherwise X.X ±.1 X.XX ±.03 X.XXX ±.015 X" ±2"		Title:
Third Angle 		Catalog No.:
Projection 		Customer:
Scale:	NTS	Drawing No.:
Checked By:		Date:
Drawn By:	DR	Approved By:

E	5-20-02	ADDED GND STUD / NUT, CHGD FRONT - PMR 2819	DR					
E1	8-22-06	mECO #15092, ADDED NOTE #3.	CMW					