

FLAT COVER WITH LATCHES, TYPE 4X

INDUSTRY STANDARDS

UL 508A Listed; Type 3, 3R, 4, 4X, 12, 13; File No. E54315
 cUL Listed per CSA C22.2 No 94; Type 3, 3R, 4, 4X, 12, 13; File No. E54315

Enclosure flammability per UL 508A

NEMA/EEMAC Type 3, 3R, 4, 4X, 12, 13

CSA File No. 217184; Type 3, 3R, 4, 4X, 12, 13

IEC 60529, IP66

Meets NEMA Type 3RX requirements

APPLICATION

Enclosures feature a flat, overlapping cover design that ensures a more secure seal. Available with solid and window covers. Latches provide easy access and security.

SPECIFICATIONS

- Compression-molded fiberglass construction
- Overlapping solid- and window-cover models are available
- Windows are clear polycarbonate
- Cover fastens with padlockable Type 316 stainless steel latches
- Type 304 stainless steel piano hinges
- Integral mounting brackets
- Enclosures protect equipment and operators from indirect electrical contact
- Material is halogen free

FINISH

Standard fiberglass material is RAL 7035 light-gray inside and out. Optional steel panels are painted white. Optional stainless steel, aluminum, conductive and composite panels are unpainted.

ACCESSORIES

See also Accessories.

H2OMIT Vent Drains, Type 4X

HOL-SEALERS Non-Metallic Hole Seals

Panels for Junction Boxes

Swing-Out Panel Kit

Terminal Block Kit Assembly for Junction Boxes Overview

MODIFICATION AND CUSTOMIZATION

Hoffman excels at modifying and customizing products to your specifications. Contact your local Hoffman sales office or distributor for complete information.

BULLETIN: HJ

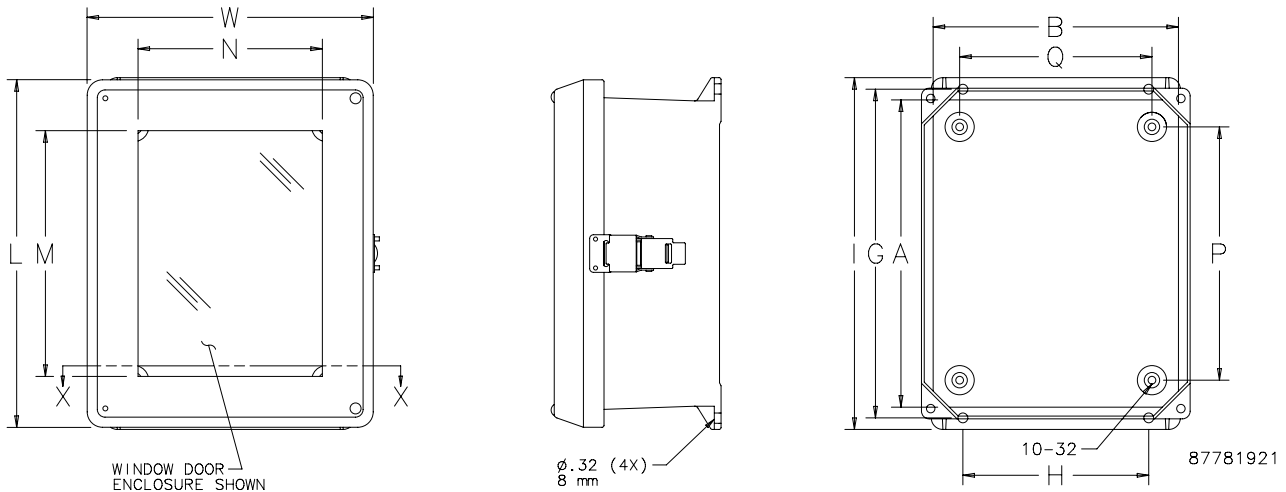
Standard Product

Catalog Number	AxBxC in./mm	No. of Latches	Window Size													Steel Panel	Aluminum Panel	Panel Size in./mm
			M x N in./mm	D in./mm	F in./mm	G in./mm	H in./mm	I in./mm	J in./mm	K in./mm	L in./mm	P in./mm	Q in./mm	W in./mm				
HJ606HWPL1LG	5.71 x 5.72 x 4.05 145 x 145 x 103	1	—	4.90	4.62	6.75	4.00	7.51	4.28	1.38	6.00	4.25	4.25	5.97	A6P6	A6P6AL	4.88 x 4.88 124 x 124	
HJ806HWPL1LG	7.71 x 5.72 x 4.05 196 x 145 x 103	1	—	4.90	4.62	8.75	4.00	9.51	4.28	1.38	9.31	6.25	4.25	7.31	A8P6	A8P6AL	6.75 x 4.88 171 x 124	
HJ1008HWPL1LG	9.71 x 7.21 x 4.30 247 x 196 x 109	1	—	5.15	4.88	10.75	6.00	11.51	4.28	1.67	11.25	8.25	6.24	9.25	A10P8	A10P8AL	8.75 x 6.88 222 x 102	
HJ1210HWPL2LG	11.68 x 9.69 x 4.62 297 x 246 x 117	2	—	5.42	5.20	12.75	8.00	13.51	4.66	1.75	13.23	10.25	8.25	11.23	A12P10	A12P10AL	10.75 x 8.88 273 x 226	
HJ1412HWPL2LG	13.81 x 11.81 x 5.99 351 x 300 x 152	2	—	6.79	6.44	14.75	10.00	15.51	5.63	1.75	15.29	10.24	12.26	13.29	A14P12	A14P12AL	12.75 x 10.88 324 x 276	
HJ1614HWPL2LG	15.81 x 13.81 x 5.99 402 x 351 x 152	2	—	6.68	6.44	16.75	12.00	17.51	5.63	1.75	17.29	14.25	12.25	15.29	A16P14	A16P14AL	14.75 x 12.88 375 x 327	
HJ1816HWPL2LG	17.81 x 15.81 x 8.86 452 x 402 x 225	2	—	9.55	9.32	18.75	12.00	19.51	8.56	1.75	19.29	16.25	14.25	17.29	A18P16	A18P16AL	16.75 x 14.88 425 x 378	
HJB606HWPL1LG	5.71 x 5.72 x 4.05 145 x 145 x 103	1	4.00 x 4.00 102 x 102	4.90	4.62	6.75	4.00	7.51	4.28	1.38	6.00	4.25	4.25	5.97	A6P6	A6P6AL	4.88 x 4.88 124 x 124	
HJB806HWPL1LG	7.71 x 5.72 x 4.05 196 x 145 x 103	1	6.00 x 4.00 152 x 102	4.90	4.62	8.75	4.00	9.51	4.28	1.38	9.31	6.25	4.25	7.31	A8P6	A8P6AL	6.75 x 1.88 171 x 124	
HJB1008HWPL1LG	9.71 x 7.21 x 4.30 247 x 196 x 109	1	8.00 x 6.00 203 x 152	5.15	4.88	10.75	6.00	11.51	4.28	1.67	11.25	8.25	6.24	9.25	A10P8	A10P8AL	8.75 x 6.88 222 x 102	
HJB1210HWPL2LG	11.68 x 9.69 x 4.62 297 x 246 x 117	2	10.00 x 8.00 254 x 203	5.42	5.20	12.75	8.00	13.51	4.66	1.75	13.23	10.25	8.25	11.23	A12P10	A12P10AL	10.78 x 8.88 273 x 226	
HJB1412HWPL2LG	13.81 x 11.81 x 5.99 351 x 300 x 152	2	12.00 x 10.00 305 x 254	6.79	6.44	14.75	10.00	15.51	5.63	1.75	15.29	10.24	12.26	13.29	A14P12	A14P12AL	12.75 x 10.88 324 x 276	
HJB1614HWPL2LG	15.81 x 13.81 x 5.99 402 x 351 x 152	2	14.00 x 12.00 356 x 305	6.68	6.44	16.75	12.00	17.51	5.63	1.75	17.29	14.25	12.25	15.29	A16P14	A16P14AL	14.75 x 12.88 375 x 327	
HJB1816HWPL2LG	17.81 x 15.81 x 8.86 452 x 402 x 225	2	16.00 x 14.00 406 x 356	9.55	9.32	18.75	12.00	19.51	8.56	1.75	19.29	16.25	14.25	17.29	A18P16	A18P16AL	16.75 x 14.88 425 x 378	

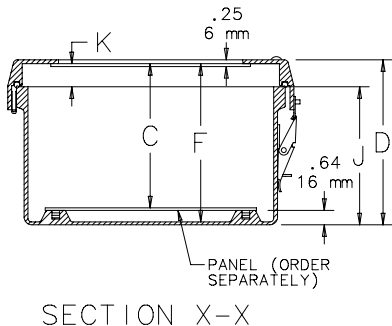
A x B x C are internal dimensions.

Purchase panels separately. Optional stainless steel, composite and aluminum panels are available for most sizes.

Flat Cover Window Enclosures



Top View with Door/Cover Removed



SECTION X-X

FLAT COVER WITH LATCHES, TYPE 4X

INDUSTRY STANDARDS

UL 508A Listed; Type 3, 3R, 4, 4X, 12, 13; File No. E54315
 cUL Listed per CSA C22.2 No 94; Type 3, 3R, 4, 4X, 12, 13; File No. E54315

Enclosure flammability per UL 508A

NEMA/EEMAC Type 3, 3R, 4, 4X, 12, 13

CSA File No. 217184; Type 3, 3R, 4, 4X, 12, 13

IEC 60529, IP66

Meets NEMA Type 3RX requirements

APPLICATION

Enclosures feature a flat, overlapping cover design that ensures a more secure seal. Available with solid and window covers. Latches provide easy access and security.

SPECIFICATIONS

- Compression-molded fiberglass construction
- Overlapping solid- and window-cover models are available
- Windows are clear polycarbonate
- Cover fastens with padlockable Type 316 stainless steel latches
- Type 304 stainless steel piano hinges
- Integral mounting brackets
- Enclosures protect equipment and operators from indirect electrical contact
- Material is halogen free

FINISH

Standard fiberglass material is RAL 7035 light-gray inside and out. Optional steel panels are painted white. Optional stainless steel, aluminum, conductive and composite panels are unpainted.

ACCESSORIES

See also *Accessories*.

H2OMIT Vent Drains, Type 4X

HOL-SEALERS Non-Metallic Hole Seals

Panels for Junction Boxes

Swing-Out Panel Kit

Terminal Block Kit Assembly for Junction Boxes Overview

MODIFICATION AND CUSTOMIZATION

Hoffman excels at modifying and customizing products to your specifications. Contact your local Hoffman sales office or distributor for complete information.

BULLETIN: HJ

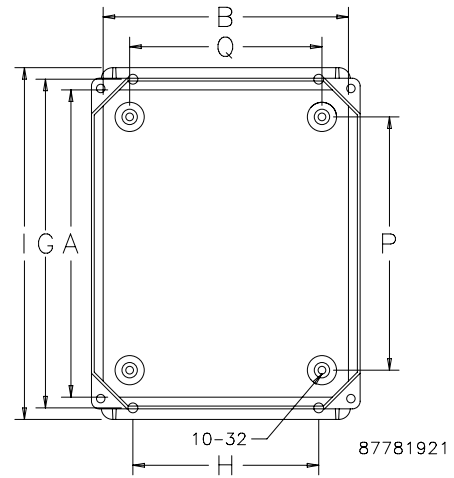
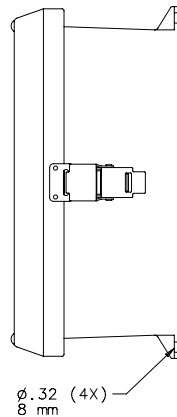
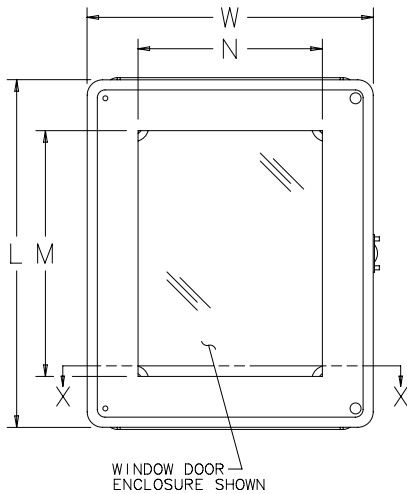
Standard Product

Catalog Number	AxBxC in./mm	No. of Latches	Window Size													Steel Panel	Aluminum Panel	Panel Size in./mm
			M x N in./mm	D in./mm	F in./mm	G in./mm	H in./mm	I in./mm	J in./mm	K in./mm	L in./mm	P in./mm	Q in./mm	W in./mm				
HJ606HWPL1LG	5.71 x 5.72 x 4.05	1	—	4.90	4.62	6.75	4.00	7.51	4.28	1.38	6.00	4.25	4.25	5.97	A6P6	A6P6AL	4.88 x 4.88	
	145 x 145 x 103		—	125	118	171	102	191	109	35	152	108	108	152			124 x 124	
HJ806HWPL1LG	7.71 x 5.72 x 4.05	1	—	4.90	4.62	8.75	4.00	9.51	4.28	1.38	9.31	6.25	4.25	7.31	A8P6	A8P6AL	6.75 x 4.88	
	196 x 145 x 103		—	126	118	222	102	242	109	35	236	159	108	186			171 x 124	
HJ1008HWPL1LG	9.71 x 7.21 x 4.30	1	—	5.15	4.88	10.75	6.00	11.51	4.28	1.67	11.25	8.25	6.24	9.25	A10P8	A10P8AL	8.75 x 6.88	
	247 x 196 x 109		—	131	125	273	152	292	109	42	286	210	158	235			222 x 102	
HJ1210HWPL2LG	11.68 x 9.69 x 4.62	2	—	5.42	5.20	12.75	8.00	13.51	4.66	1.75	13.23	10.25	8.25	11.23	A12P10	A12P10AL	10.75 x 8.88	
	297 x 246 x 117		—	138	132	324	203	343	118	45	336	260	210	285			273 x 226	
HJ1412HWPL2LG	13.81 x 11.81 x 5.99	2	—	6.79	6.44	14.75	10.00	15.51	5.63	1.75	15.29	10.24	12.26	13.29	A14P12	A14P12AL	12.75 x 10.88	
	351 x 300 x 152		—	172	142	375	254	940	143	45	388	260	311	338			324 x 276	
HJ1614HWPL2LG	15.81 x 13.81 x 5.99	2	—	6.68	6.44	16.75	12.00	17.51	5.63	1.75	17.29	14.25	12.25	15.29	A16P14	A16P14AL	14.75 x 12.88	
	402 x 351 x 152		—	170	164	425	305	445	143	45	439	363	311	388			375 x 327	
HJ1816HWPL2LG	17.81 x 15.81 x 8.86	2	—	9.55	9.32	18.75	12.00	19.51	8.56	1.75	19.29	16.25	14.25	17.29	A18P16	A18P16AL	16.75 x 14.88	
	452 x 402 x 225		—	243	237	476	305	495	217	45	790	413	362	439			425 x 378	
HJB606HWPL1LG	5.71 x 5.72 x 4.05	1	4.00 x 4.00	4.90	4.62	6.75	4.00	7.51	4.28	1.38	6.00	4.25	4.25	5.97	A6P6	A6P6AL	4.88 x 4.88	
	145 x 145 x 103		102 x 102	125	118	171	102	191	109	35	152	108	108	152			124 x 124	
HJB806HWPL1LG	7.71 x 5.72 x 4.05	1	6.00 x 4.00	4.90	4.62	8.75	4.00	9.51	4.28	1.38	9.31	6.25	4.25	7.31	A8P6	A8P6AL	6.75 x 1.88	
	196 x 145 x 103		152 x 102	125	118	222	102	252	109	35	236	159	108	186			171 x 124	
HJB1008HWPL1LG	9.71 x 7.21 x 4.30	1	8.00 x 6.00	5.15	4.88	10.75	6.00	11.51	4.28	1.67	11.25	8.25	6.24	9.25	A10P8	A10P8AL	8.75 x 6.88	
	247 x 196 x 109		203 x 152	131	125	273	152	292	109	42	286	210	158	236			222 x 102	
HJB1210HWPL2LG	11.68 x 9.69 x 4.62	2	10.00 x 8.00	5.42	5.20	12.75	8.00	13.51	4.66	1.75	13.23	10.25	8.25	11.23	A12P10	A12P10AL	10.78 x 8.88	
	297 x 246 x 117		254 x 203	138	132	324	203	343	118	45	336	260	210	285			273 x 226	
HJB1412HWPL2LG	13.81 x 11.81 x 5.99	2	12.00 x 10.00	6.79	6.44	14.75	10.00	15.51	5.63	1.75	15.29	10.24	12.26	13.29	A14P12	A14P12AL	12.75 x 10.88	
	351 x 300 x 152		305 x 254	172	164	375	254	940	143	45	388	260	311	338			324 x 276	
HJB1614HWPL2LG	15.81 x 13.81 x 5.99	2	14.00 x 12.00	6.68	6.44	16.75	12.00	17.51	5.63	1.75	17.29	14.25	12.25	15.29	A16P14	A16P14AL	14.75 x 12.88	
	402 x 351 x 152		356 x 305	170	164	425	305	445	143	45	439	363	311	388			375 x 327	
HJB1816HWPL2LG	17.81 x 15.81 x 8.86	2	16.00 x 14.00	9.55	9.32	18.75	12.00	19.51	8.56	1.75	19.29	16.25	14.25	17.29	A18P16	A18P16AL	16.75 x 14.88	
	452 x 402 x 225		406 x 356	243	237	476	305	495	217	45	490	413	362	439			425 x 378	

A x B x C are internal dimensions.

Purchase panels separately. Optional stainless steel, composite and aluminum panels are available for most sizes.

Flat Cover Window Enclosures



Top View with Door/Cover Removed

