

**FLAT COVER WITH LATCHES, TYPE 4X**

**INDUSTRY STANDARDS**

UL 508A Listed; Type 3, 3R, 4, 4X, 12, 13; File No. E54315  
 cUL Listed per CSA C22.2 No 94; Type 3, 3R, 4, 4X, 12, 13; File No. E54315

Enclosure flammability per UL 508A

NEMA/EEMAC Type 3, 3R, 4, 4X, 12, 13

CSA File No. 217184; Type 3, 3R, 4, 4X, 12, 13

IEC 60529, IP66

Meets NEMA Type 3RX requirements

**APPLICATION**

Enclosures feature a flat, overlapping cover design that ensures a more secure seal. Available with solid and window covers. Latches provide easy access and security.

**SPECIFICATIONS**

- Compression-molded fiberglass construction
- Overlapping solid- and window-cover models are available
- Windows are clear polycarbonate
- Cover fastens with padlockable Type 316 stainless steel latches
- Type 304 stainless steel piano hinges
- Integral mounting brackets
- Enclosures protect equipment and operators from indirect electrical contact
- Material is halogen free

**FINISH**

Standard fiberglass material is RAL 7035 light-gray inside and out. Optional steel panels are painted white. Optional stainless steel, aluminum, conductive and composite panels are unpainted.

**ACCESSORIES**

*See also Accessories.*

H2OMIT Vent Drains, Type 4X

HOL-SEALERS Non-Metallic Hole Seals

Panels for Junction Boxes

Swing-Out Panel Kit

Terminal Block Kit Assembly for Junction Boxes Overview

**MODIFICATION AND CUSTOMIZATION**

Hoffman excels at modifying and customizing products to your specifications. Contact your local Hoffman sales office or distributor for complete information.

**BULLETIN: HJ**

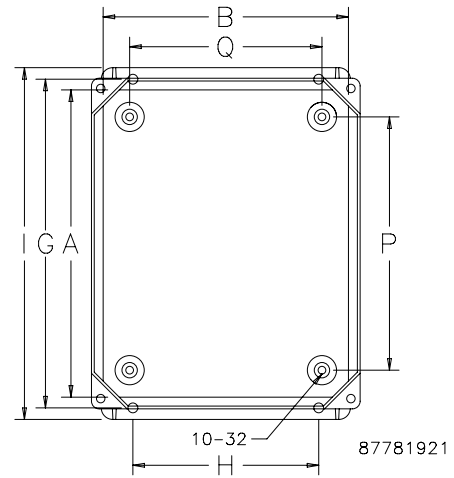
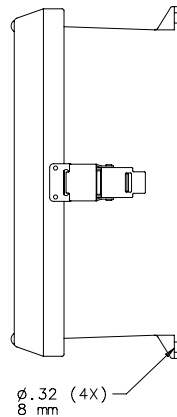
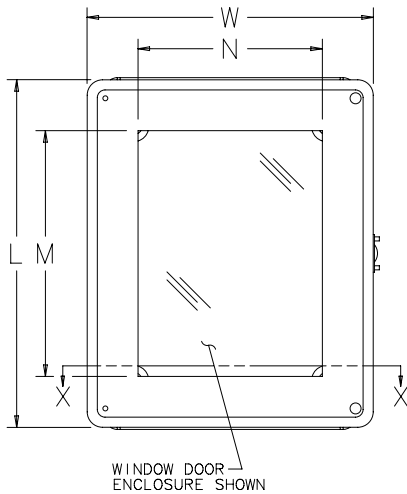
Standard Product

Catalog Number	AxBxC in./mm	No. of Latches	Window Size													Steel Panel	Aluminum Panel	Panel Size in./mm
			M x N in./mm	D in./mm	F in./mm	G in./mm	H in./mm	I in./mm	J in./mm	K in./mm	L in./mm	P in./mm	Q in./mm	W in./mm				
HJ606HWPL1LG	5.71 x 5.72 x 4.05 145 x 145 x 103	1	—	4.90	4.62	6.75	4.00	7.51	4.28	1.38	6.00	4.25	4.25	5.97	A6P6	A6P6AL	4.88 x 4.88 124 x 124	
HJ806HWPL1LG	7.71 x 5.72 x 4.05 196 x 145 x 103	1	—	4.90	4.62	8.75	4.00	9.51	4.28	1.38	9.31	6.25	4.25	7.31	A8P6	A8P6AL	6.75 x 4.88 171 x 124	
HJ1008HWPL1LG	9.71 x 7.21 x 4.30 247 x 196 x 109	1	—	5.15	4.88	10.75	6.00	11.51	4.28	1.67	11.25	8.25	6.24	9.25	A10P8	A10P8AL	8.75 x 6.88 222 x 102	
HJ1210HWPL2LG	11.68 x 9.69 x 4.62 297 x 246 x 117	2	—	5.42	5.20	12.75	8.00	13.51	4.66	1.75	13.23	10.25	8.25	11.23	A12P10	A12P10AL	10.75 x 8.88 273 x 226	
HJ1412HWPL2LG	13.81 x 11.81 x 5.99 351 x 300 x 152	2	—	6.79	6.44	14.75	10.00	15.51	5.63	1.75	15.29	10.24	12.26	13.29	A14P12	A14P12AL	12.75 x 10.88 324 x 276	
HJ1614HWPL2LG	15.81 x 13.81 x 5.99 402 x 351 x 152	2	—	6.68	6.44	16.75	12.00	17.51	5.63	1.75	17.29	14.25	12.25	15.29	A16P14	A16P14AL	14.75 x 12.88 375 x 327	
HJ1816HWPL2LG	17.81 x 15.81 x 8.86 452 x 402 x 225	2	—	9.55	9.32	18.75	12.00	19.51	8.56	1.75	19.29	16.25	14.25	17.29	A18P16	A18P16AL	16.75 x 14.88 425 x 378	
HJB606HWPL1LG	5.71 x 5.72 x 4.05 145 x 145 x 103	1	4.00 x 4.00 102 x 102	4.90	4.62	6.75	4.00	7.51	4.28	1.38	6.00	4.25	4.25	5.97	A6P6	A6P6AL	4.88 x 4.88 124 x 124	
HJB806HWPL1LG	7.71 x 5.72 x 4.05 196 x 145 x 103	1	6.00 x 4.00 152 x 102	4.90	4.62	8.75	4.00	9.51	4.28	1.38	9.31	6.25	4.25	7.31	A8P6	A8P6AL	6.75 x 1.88 171 x 124	
HJB1008HWPL1LG	9.71 x 7.21 x 4.30 247 x 196 x 109	1	8.00 x 6.00 203 x 152	5.15	4.88	10.75	6.00	11.51	4.28	1.67	11.25	8.25	6.24	9.25	A10P8	A10P8AL	8.75 x 6.88 222 x 102	
HJB1210HWPL2LG	11.68 x 9.69 x 4.62 297 x 246 x 117	2	10.00 x 8.00 254 x 203	5.42	5.20	12.75	8.00	13.51	4.66	1.75	13.23	10.25	8.25	11.23	A12P10	A12P10AL	10.78 x 8.88 273 x 226	
HJB1412HWPL2LG	13.81 x 11.81 x 5.99 351 x 300 x 152	2	12.00 x 10.00 305 x 254	6.79	6.44	14.75	10.00	15.51	5.63	1.75	15.29	10.24	12.26	13.29	A14P12	A14P12AL	12.75 x 10.88 324 x 276	
HJB1614HWPL2LG	15.81 x 13.81 x 5.99 402 x 351 x 152	2	14.00 x 12.00 356 x 305	6.68	6.44	16.75	12.00	17.51	5.63	1.75	17.29	14.25	12.25	15.29	A16P14	A16P14AL	14.75 x 12.88 375 x 327	
HJB1816HWPL2LG	17.81 x 15.81 x 8.86 452 x 402 x 225	2	16.00 x 14.00 406 x 356	9.55	9.32	18.75	12.00	19.51	8.56	1.75	19.29	16.25	14.25	17.29	A18P16	A18P16AL	16.75 x 14.88 425 x 378	

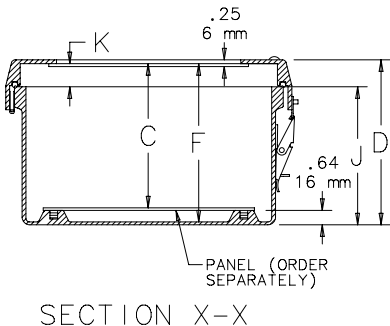
A x B x C are internal dimensions.

Purchase panels separately. Optional stainless steel, composite and aluminum panels are available for most sizes.

Flat Cover Window Enclosures



Top View with Door/Cover Removed



SECTION X-X