

**Description**

4" new construction mounting frame accepts 'install from below' remodeler type housings securing ceiling location during electrical rough-in. Use to meet local code requirements where install from below housings must be supported directly by building structure.

Catalog #		Type
Project		
Comments		Date
Prepared by		

**Specification Features**

**Plaster Frame**

- Galvanized steel plaster frame with integral bar hanger receivers. Locking screws provide positive horizontal locking.
- Aperture accepts 'install from below' remodeler type housings, use mounting springs to secure.

**Bar Hangers**

- Captive preinstalled bar hangers adjust from 8-1/2" to 24" wide
- Pass thru allows shortening without removal.
- Captive nail penetrates standard and engineered lumber.
- Mounting flange levels platform with ceiling.
- Integral clip attaches direction to tee grid.

**Compliance**

- Can be used to meet local code requirements where install from below housings must be supported directly by building structure.

**Warranty**

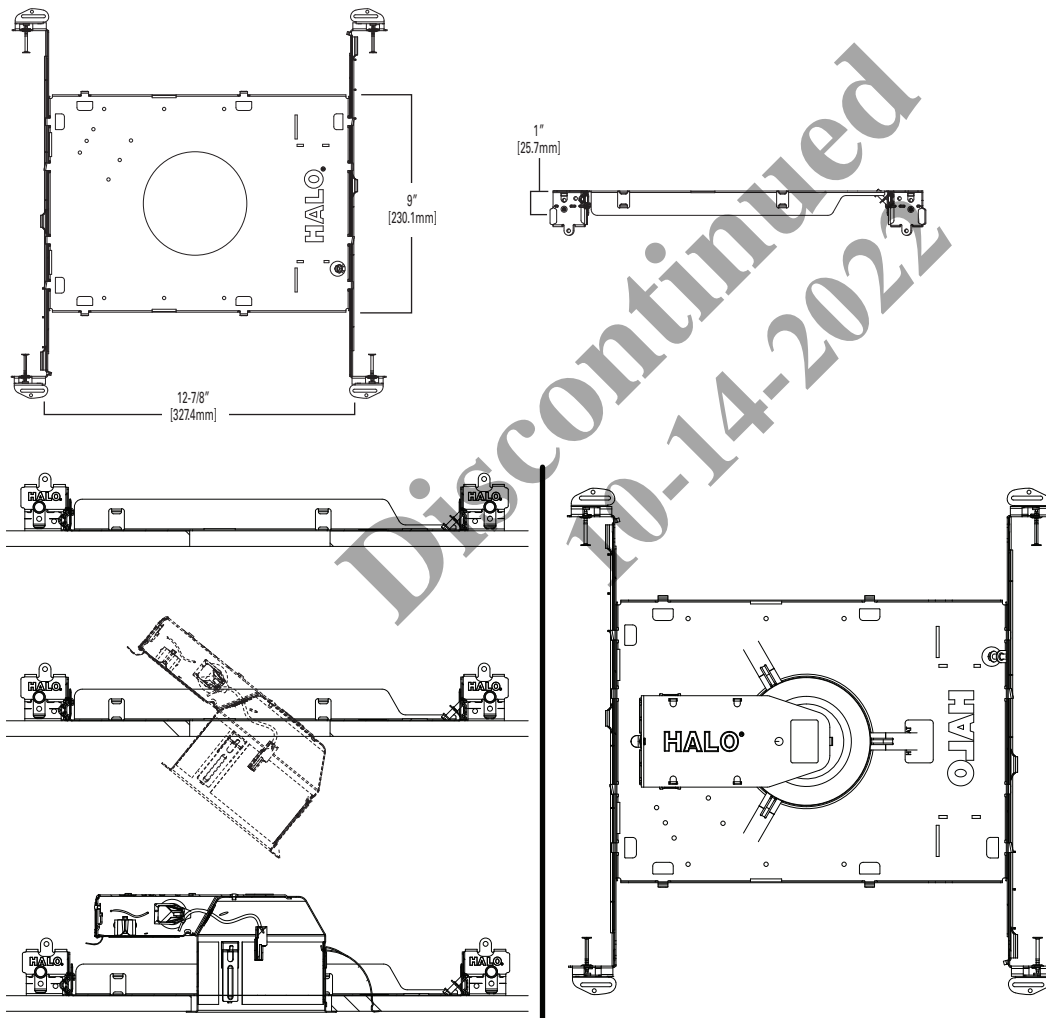
One year limited warranty, consult website for details.  
www.cooperlighting.com



**H4NCMF**

**4" New Construction Mounting Frame**

**Dimensions**



**Ordering Information**

Housing	Compatible Housings
H4NCMF = 4" New Construction Mounting Frame	H245RICAT, H99RTAT, H1499RICAT, E4RTATSB

**Description**

4" new construction mounting frame accepts 'install from below' remodeler type housings securing ceiling location during electrical rough-in. Use to meet local code requirements where install from below housings must be supported directly by building structure.

Catalog #		Type
Project		
Comments		Date
Prepared by		

**Specification Features**

**Plaster Frame**

- Galvanized steel plaster frame with integral bar hanger receivers. Locking screws provide positive horizontal locking.
- Aperture accepts 'install from below' remodeler type housings, use mounting springs to secure.

**Bar Hangers**

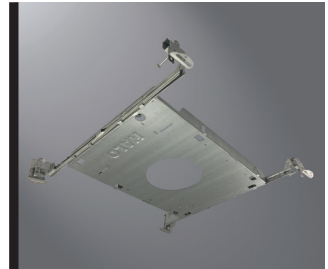
- Captive preinstalled bar hangers adjust from 8-1/2" to 24" wide
- Pass thru allows shortening without removal.
- Captive nail penetrates standard and engineered lumber.
- Mounting flange levels platform with ceiling.
- Integral clip attaches direction to tee grid.

**Compliance**

- Can be used to meet local code requirements where install from below housings must be supported directly by building structure.

**Warranty**

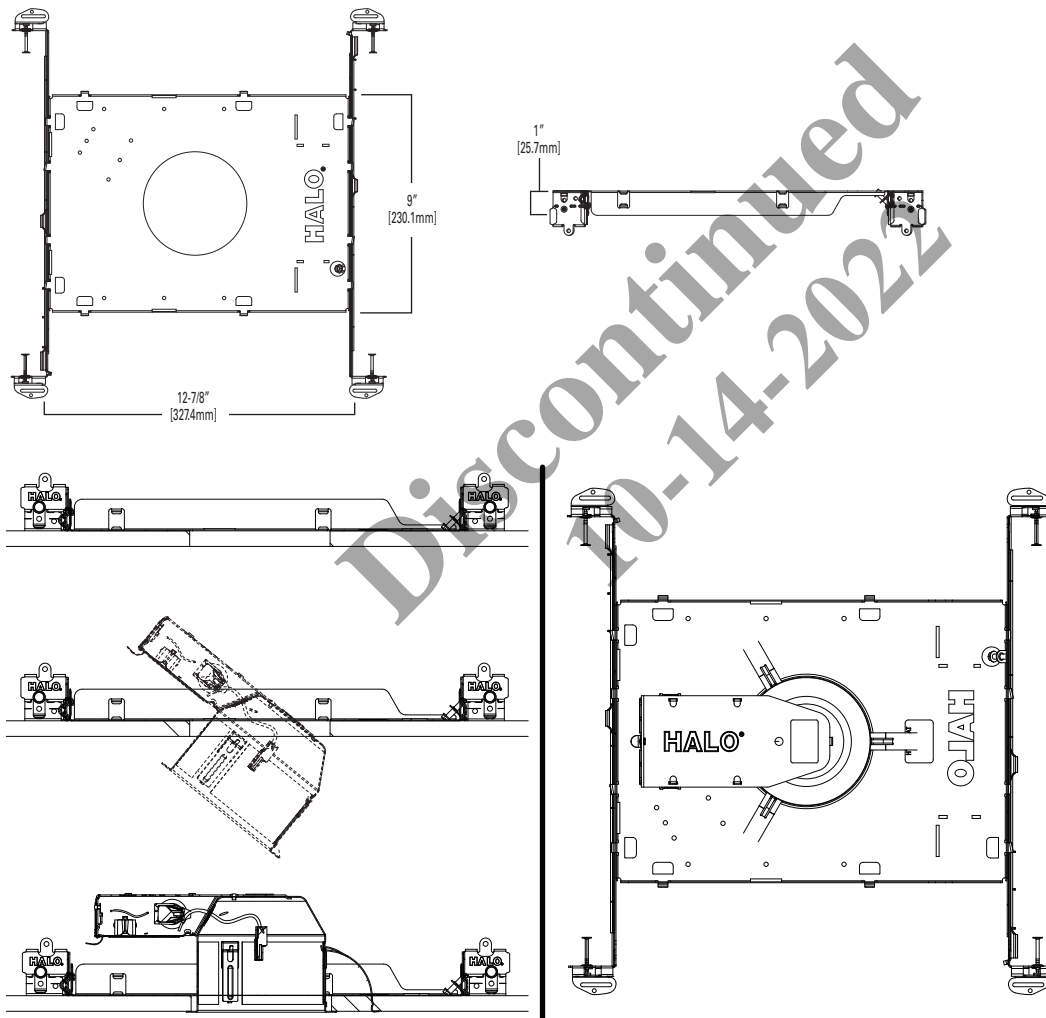
One year limited warranty, consult website for details.  
www.cooperlighting.com



**H4NCMF**

**4" New Construction Mounting Frame**

**Dimensions**



**Ordering Information**

Housing	Compatible Housings
H4NCMF = 4" New Construction Mounting Frame	H245RICAT, H99RTAT, H1499RICAT, E4RTATS