



# HPS-70X-Q-KIT

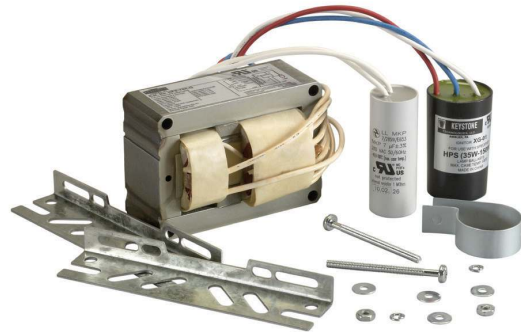
## 70W HIGH PRESSURE SODIUM BALLAST KIT



### DESCRIPTION

70W High Pressure Sodium Ballast Kit | Quad Tap 120/208/240/277

<b>LAMP TYPE:</b> 70W High Pressure Sodium (S62)
<b>INPUT VOLTAGE:</b> Quad Tap (120/208/240/277V)
<b>CIRCUIT TYPE:</b> HX-HPF
<b>WARRANTY:</b> 2 Years



### PRODUCT FEATURES

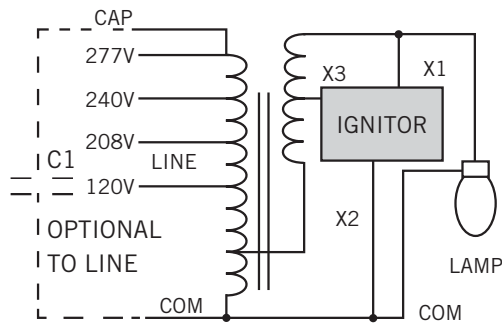
- ANSI Designation: S62
- Line Voltage: 120
- Regulation: 5%
- Frequency: 60 Hz
- Recommended Fuse (A): 5/3/3/2
- Circuit Type: HX-HPF
- Insulation Class: 180°C
- Capacitor: 7 μF
- Capacitor Voltage Rating: 280 V
- Capacitor Temperature Rating: 90°C
- Winding Materials: Copper/Copper
- Lamp Starter: XG-01
- Agency Certification: RU, cRU
- Maximum Distance to Lamp: 10 ft.

### ELECTRICAL SPECIFICATIONS

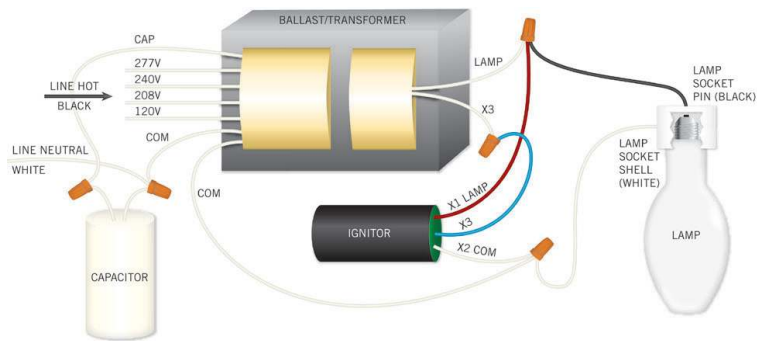
LINE VOLTAGE	POWER FACTOR	LINE CURRENT			INPUT POWER	OPEN CIRCUIT VOLTAGE	MINIMUM START TEMP	CLASS N 200°C UL TEMP CODE
		OPERATING	OPEN CIRCUIT	STARTING				
120V	High	0.82A	1.35A	0.78A	93W	124V	-40°F/-40°C	A
208V	High	0.47A	0.79A	0.52A	93W	124V	-40°F/-40°C	A
240V	High	0.41A	0.68A	0.40A	93W	124V	-40°F/-40°C	A
277V	High	0.35A	0.60A	0.36A	93W	124V	-40°F/-40°C	A

### WIRING DIAGRAM

#### DIAGRAM H5



#### H5



(Capacitor is optional on HX models)

Colors shown represent the most common configuration. However, depending on the application and local code, slight differences may exist.

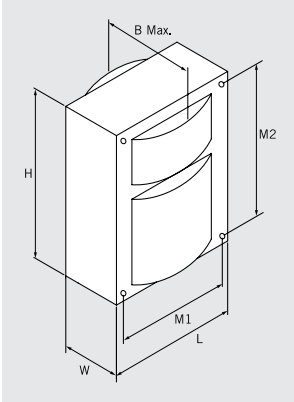


# HPS-70X-Q-KIT

## 70W HIGH PRESSURE SODIUM BALLAST KIT

### PHYSICAL SPECIFICATIONS

#### CASE STYLE

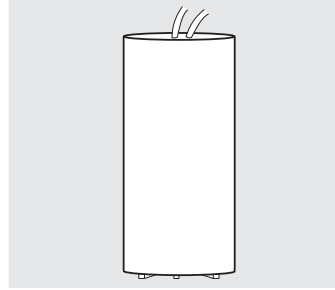


OVERALL DIMENSIONS			
Length	Width	Height	B Max.
2.80"	1.54"	3.94"	2.91"

MOUNTING HOLES		
Diameter	M1	M2
0.25"	2.44"	3.50"

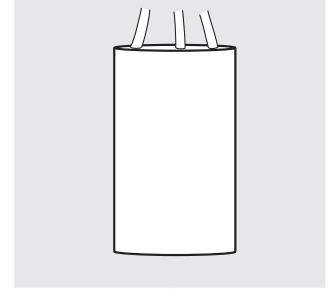
BRACKET DIMENSIONS		Ballast Net Weight	Lead Length
Length	Width		
5.50	1.25	4.74 lbs	12-14"

#### CAPACITOR SPECIFICATIONS



Wattage	70
Microfarad	7
Voltage	280
Type	Dry Film

#### IGNITOR SPECIFICATIONS



Lamp Type	HPS
Wattage	70
Type	HX

### ORDERING INFORMATION

ORDER CODE	PACK QTY.	ITEM STATUS
HPS-70X-Q-KIT	1	Quick Ship

Each kit includes the ballast pre-wired to a properly rated capacitor and ignitor (if required), mounting hardware, and pictorial installation guide.

### CATALOG NUMBER BREAKDOWN

# HPS-70X-Q-KIT

- 1
- 2
- 3
- 4
- 5

- 1 High Pressure Sodium
- 2 Input Power
- 3 High Reactance Circuit
- 4 120/208/240/277V, Quad Tap
- 5 HID Replacement Kit



# HPS-70X-Q-KIT

## 70W HIGH PRESSURE SODIUM BALLAST KIT



### DESCRIPTION

70W High Pressure Sodium Ballast Kit | Quad Tap 120/208/240/277

<b>LAMP TYPE:</b> 70W High Pressure Sodium (S62)
<b>INPUT VOLTAGE:</b> Quad Tap (120/208/240/277V)
<b>CIRCUIT TYPE:</b> HX-HPF
<b>WARRANTY:</b> 2 Years



### PRODUCT FEATURES

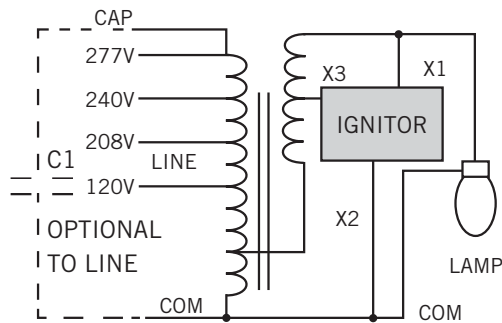
- ANSI Designation: S62
- Line Voltage: 120
- Regulation: 5%
- Frequency: 60 Hz
- Recommended Fuse (A): 5/3/3/2
- Circuit Type: HX-HPF
- Insulation Class: 180°C
- Capacitor: 7  $\mu$ F
- Capacitor Voltage Rating: 280 V
- Capacitor Temperature Rating: 90°C
- Winding Materials: Copper/Copper
- Lamp Starter: XG-01
- Agency Certification: RU, cRU
- Maximum Distance to Lamp: 10 ft.

### ELECTRICAL SPECIFICATIONS

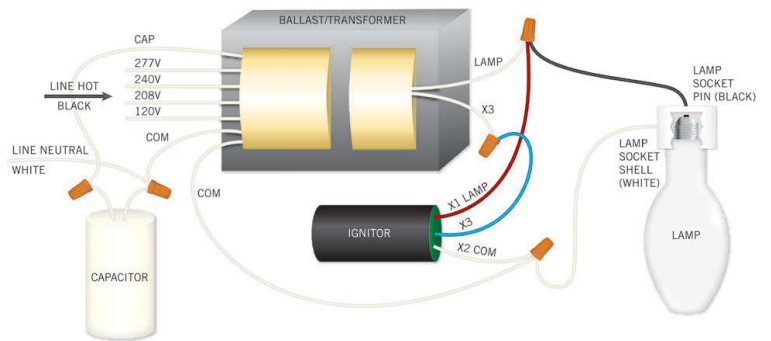
LINE VOLTAGE	POWER FACTOR	LINE CURRENT			INPUT POWER	OPEN CIRCUIT VOLTAGE	MINIMUM START TEMP	CLASS N 200°C UL TEMP CODE
		OPERATING	OPEN CIRCUIT	STARTING				
120V	High	0.82A	1.35A	0.78A	93W	124V	-40°F/-40°C	A
208V	High	0.47A	0.79A	0.52A	93W	124V	-40°F/-40°C	A
240V	High	0.41A	0.68A	0.40A	93W	124V	-40°F/-40°C	A
277V	High	0.35A	0.60A	0.36A	93W	124V	-40°F/-40°C	A

### WIRING DIAGRAM

#### DIAGRAM H5



#### H5



(Capacitor is optional on HX models)

Colors shown represent the most common configuration. However, depending on the application and local code, slight differences may exist.

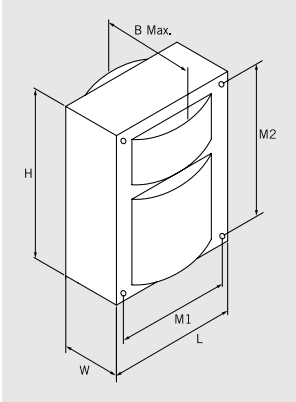


# HPS-70X-Q-KIT

## 70W HIGH PRESSURE SODIUM BALLAST KIT

### PHYSICAL SPECIFICATIONS

#### CASE STYLE

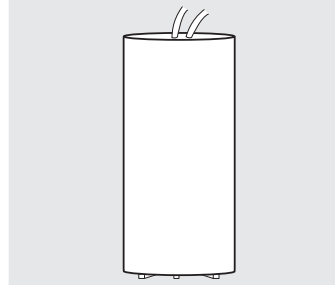


OVERALL DIMENSIONS			
Length	Width	Height	B Max.
2.80"	1.54"	3.94"	2.91"

MOUNTING HOLES		
Diameter	M1	M2
0.25"	2.44"	3.50"

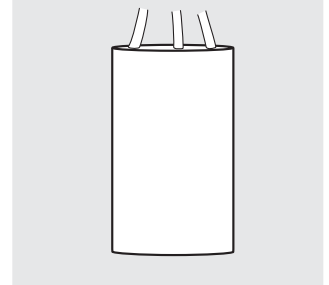
BRACKET DIMENSIONS		Ballast Net Weight	Lead Length
Length	Width		
5.50	1.25	4.74 lbs	12-14"

#### CAPACITOR SPECIFICATIONS



Wattage	70
Microfarad	7
Voltage	280
Type	Dry Film

#### IGNITOR SPECIFICATIONS



Lamp Type	HPS
Wattage	70
Type	HX

### ORDERING INFORMATION

ORDER CODE	PACK QTY.	ITEM STATUS
HPS-70X-Q-KIT	1	Quick Ship

Each kit includes the ballast pre-wired to a properly rated capacitor and ignitor (if required), mounting hardware, and pictorial installation guide.

### CATALOG NUMBER BREAKDOWN

# HPS-70X-Q-KIT

- 1
- 2
- 3
- 4
- 5

- 1 High Pressure Sodium
- 2 Input Power
- 3 High Reactance Circuit
- 4 120/208/240/277V, Quad Tap
- 5 HID Replacement Kit