



HPS-70X-Q-KIT

70W HIGH PRESSURE SODIUM BALLAST KIT



DESCRIPTION

70W High Pressure Sodium Ballast Kit | Quad Tap 120/208/240/277

| |
|---|
| LAMP TYPE: 70W High Pressure Sodium (S62) |
| INPUT VOLTAGE: Quad Tap (120/208/240/277V) |
| CIRCUIT TYPE: HX-HPF |
| WARRANTY: 2 Years |



PRODUCT FEATURES

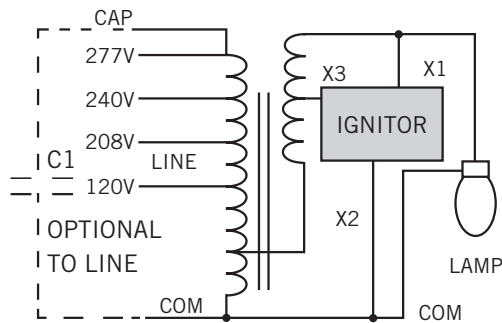
- ANSI Designation: S62
- Line Voltage: 120
- Regulation: 5%
- Frequency: 60 Hz
- Recommended Fuse (A): 5/3/3/2
- Circuit Type: HX-HPF
- Insulation Class: 180°C
- Capacitor: 7 μF
- Capacitor Voltage Rating: 280 V
- Capacitor Temperature Rating: 90°C
- Winding Materials: Copper/Copper
- Lamp Starter: XG-01
- Agency Certification: RU, cRU
- Maximum Distance to Lamp: 10 ft.

ELECTRICAL SPECIFICATIONS

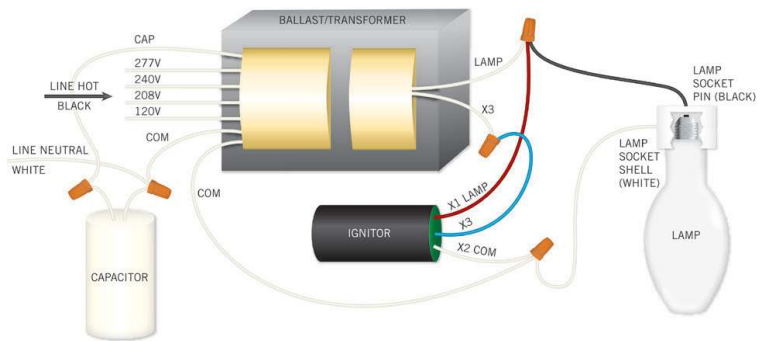
| LINE VOLTAGE | POWER FACTOR | LINE CURRENT | | | INPUT POWER | OPEN CIRCUIT VOLTAGE | MINIMUM START TEMP | CLASS N 200°C UL TEMP CODE |
|--------------|--------------|--------------|--------------|----------|-------------|----------------------|--------------------|----------------------------|
| | | OPERATING | OPEN CIRCUIT | STARTING | | | | |
| 120V | High | 0.82A | 1.35A | 0.78A | 93W | 124V | -40°F/-40°C | A |
| 208V | High | 0.47A | 0.79A | 0.52A | 93W | 124V | -40°F/-40°C | A |
| 240V | High | 0.41A | 0.68A | 0.40A | 93W | 124V | -40°F/-40°C | A |
| 277V | High | 0.35A | 0.60A | 0.36A | 93W | 124V | -40°F/-40°C | A |

WIRING DIAGRAM

DIAGRAM H5



H5



(Capacitor is optional on HX models)

Colors shown represent the most common configuration. However, depending on the application and local code, slight differences may exist.

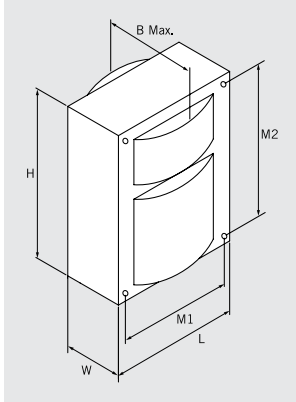


HPS-70X-Q-KIT

70W HIGH PRESSURE SODIUM BALLAST KIT

PHYSICAL SPECIFICATIONS

CASE STYLE



OVERALL DIMENSIONS

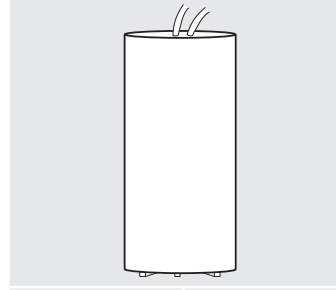
| Length | Width | Height | B Max. |
|--------|-------|--------|--------|
| 2.80" | 1.54" | 3.94" | 2.91" |

MOUNTING HOLES

| Diameter | M1 | M2 |
|----------|-------|-------|
| 0.25" | 2.44" | 3.50" |

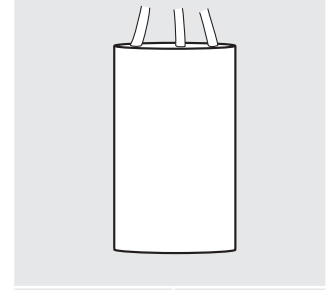
| BRACKET DIMENSIONS | | Ballast Net Weight | Lead Length |
|--------------------|-------|--------------------|-------------|
| Length | Width | 4.74 lbs | 12-14" |
| 5.50 | 1.25 | | |

CAPACITOR SPECIFICATIONS



| | |
|------------|----------|
| Wattage | 70 |
| Microfarad | 7 |
| Voltage | 280 |
| Type | Dry Film |

IGNITOR SPECIFICATIONS



| | |
|-----------|-----|
| Lamp Type | HPS |
| Wattage | 70 |
| Type | HX |

ORDERING INFORMATION

| ORDER CODE | PACK QTY. | ITEM STATUS |
|---------------|-----------|-------------|
| HPS-70X-Q-KIT | 1 | Quick Ship |

Each kit includes the ballast pre-wired to a properly rated capacitor and ignitor (if required), mounting hardware, and pictorial installation guide.

CATALOG NUMBER BREAKDOWN

HPS-70X-Q-KIT

1 2 3 4 5

- 1 High Pressure Sodium
- 2 Input Power
- 3 High Reactance Circuit
- 4 120/208/240/277V, Quad Tap
- 5 HID Replacement Kit