



Centium T8 Instant Start

CENTIUM ICN1P32N35I

Reliable and energy efficient Philips Advance's Centium commercial grade specifications, plus added benefits of lamp striation reduction technology.

Product data

General Information	
Lamp Type	F32T8
Number of Lamps	1 piece/unit
Ballast Type	Electronic Fluorescent
Base Model	ICN1P32N
Suitable For Outdoor Use	Yes
Automatic Restart	Yes
Operating and Electrical	
Input Voltage	120 to 277 V
Input Frequency	50 to 60 Hz
Total Harmonic Distortion USA	10 %
Ignition Method	Instant Start
Crestfactor (Nom)	1.7
Ignition Time (Nom)	0.1 s
Ballast Factor (Nom)	0.91
Power Factor (Nom)	0.98
Input Current (Max)	0.26 A
Input Current (Min)	0.11 A
Input Power (Nom)	29-30 W
Rated Lamp Power	32 W
Wiring	
Color Input Terminals	No terminals
Color Output Terminals	No terminals

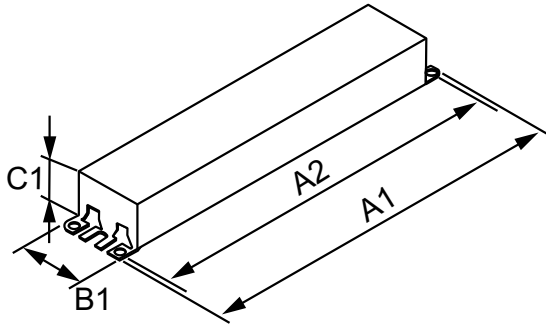
Wire Striplength	0.50/0.375 mm
Lamp Connection	Parallel
Wire Length by Color	See data sheet
Wire Gauge (Nom)	18AWG mm
Wire Type	Solid
Remote Wiring Configuration Allowed	Yes
Tandem Wiring Configuration Allowed	No
Through Wiring Configuration Allowed	No
Max Ballast-Lamp Distance Remote Wiring	ES = 6' / Standard = 20'
Max Ballast-Lamp Distance Tandem Wiring	NA
Max Ballast-Lamp Distance Through Wiring	NA
Connector Type	No connector
Temperature	
T-Case Maximum (Nom)	70 °C
Mechanical and Housing	
Housing Material	Metal
Housing	N
Housing Dimensions	9.5" x 1.3" x 1.0"
Approval and Application	
EMC Immunity Standard	FCC Non-Consumer
Approval Marks	CSA certificate UL certificate CEC Listing RoHS Compliant

Centium T8 Instant Start

Hum And Noise Level	A
UL Recognized	No
Product Data	
Order product name	CENTIUM ICN1P32N35I
EAN/UPC - Product	781087074060
Order code	913710852301

Numerator - Quantity Per Pack	1
Numerator - Packs per outer box	10
Material Nr. (12NC)	913710852301
Net Weight (Piece)	277.000 g

Dimensional drawing



ELE BALLAST (1) F32T8 120-277V

Product	A1	A2	B1	C1
CENTIUM ICN1P32N35I	9.50 in	8.90 in	1.30 in	1.00 in





Centium T8 Instant Start

CENTIUM ICN1P32N35I

Reliable and energy efficient Philips Advance's Centium commercial grade specifications, plus added benefits of lamp striation reduction technology.

Product data

General Information	
Lamp Type	F32T8
Number of Lamps	1 piece/unit
Ballast Type	Electronic Fluorescent
Base Model	ICN1P32N
Suitable For Outdoor Use	Yes
Automatic Restart	Yes
Operating and Electrical	
Input Voltage	120 to 277 V
Input Frequency	50 to 60 Hz
Total Harmonic Distortion USA	10 %
Ignition Method	Instant Start
Crestfactor (Nom)	1.7
Ignition Time (Nom)	0.1 s
Ballast Factor (Nom)	0.91
Power Factor (Nom)	0.98
Input Current (Max)	0.26 A
Input Current (Min)	0.11 A
Input Power (Nom)	29-30 W
Rated Lamp Power	32 W
Wiring	
Color Input Terminals	No terminals
Color Output Terminals	No terminals

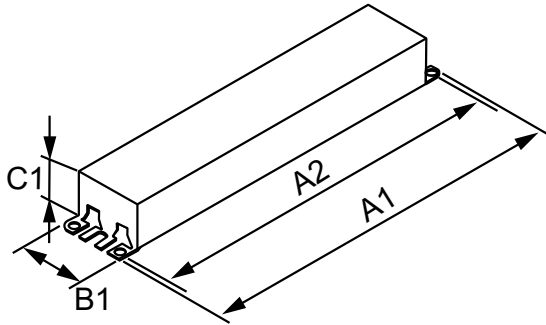
Wire Striplength	0.50/0.375 mm
Lamp Connection	Parallel
Wire Length by Color	See data sheet
Wire Gauge (Nom)	18AWG mm
Wire Type	Solid
Remote Wiring Configuration Allowed	Yes
Tandem Wiring Configuration Allowed	No
Through Wiring Configuration Allowed	No
Max Ballast-Lamp Distance Remote Wiring	ES = 6' / Standard = 20'
Max Ballast-Lamp Distance Tandem Wiring	NA
Max Ballast-Lamp Distance Through Wiring	NA
Connector Type	No connector
Temperature	
T-Case Maximum (Nom)	70 °C
Mechanical and Housing	
Housing Material	Metal
Housing	N
Housing Dimensions	9.5" x 1.3" x 1.0"
Approval and Application	
EMC Immunity Standard	FCC Non-Consumer
Approval Marks	CSA certificate UL certificate CEC Listing RoHS Compliant

Centium T8 Instant Start

Hum And Noise Level	A
UL Recognized	No
Product Data	
Order product name	CENTIUM ICN1P32N35I
EAN/UPC - Product	781087074060
Order code	913710852301

Numerator - Quantity Per Pack	1
Numerator - Packs per outer box	10
Material Nr. (12NC)	913710852301
Net Weight (Piece)	277.000 g

Dimensional drawing



ELE BALLAST (1) F32T8 120-277V

Product	A1	A2	B1	C1
CENTIUM ICN1P32N35I	9.50 in	8.90 in	1.30 in	1.00 in

