



# Centium T12 Slimline

## CENTIUM ICN2P60N35I

Reliable and energy-efficient, Philips Advance's line of Centium high frequency electronic ballasts for 8' T12 Slimline fluorescent lamps are a great replacement option when compared to magnetic ballasts. Lightweight with the same mounting configurations makes this an quick and easy retrofit solution.

### Product data

| General Information           |                        |
|-------------------------------|------------------------|
| Lamp Type                     | F96T12                 |
| Number of Lamps               | 1/2 piece/unit         |
| Ballast Type                  | Electronic Fluorescent |
| Base Model                    | ICN2P60N               |
| Suitable For Outdoor Use      | Yes                    |
| Automatic Restart             | Yes                    |
| Operating and Electrical      |                        |
| Input Voltage                 | 120 to 277 V           |
| Input Frequency               | 50 to 60 Hz            |
| Total Harmonic Distortion USA | 10 %                   |
| Ignition Method               | Instant Start          |
| Crestfactor (Nom)             | 1.6                    |
| Ignition Time (Nom)           | 0.1 s                  |
| Ballast Factor (Nom)          | 0.88                   |
| Power Factor (Nom)            | 0.99                   |
| Input Current (Max)           | 1.13 A                 |
| Input Current (Min)           | 0.48 A                 |
| Input Power (Nom)             | 135-132 W              |
| Rated Lamp Power              | 75 W                   |

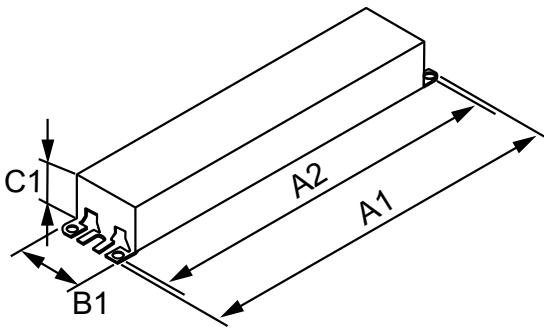
| Wiring                                   |                |
|--|----------------|
| Color Input Terminals                    | No terminals   |
| Color Output Terminals                   | No terminals   |
| Wire Striplength                         | 0.50/0.375 mm  |
| Lamp Connection                          | Parallel       |
| Wire Length by Color                     | See data sheet |
| Wire Gauge (Nom)                         | 18AWG mm       |
| Wire Type                                | Solid          |
| Remote Wiring Configuration Allowed      | Yes            |
| Tandem Wiring Configuration Allowed      | Yes            |
| Through Wiring Configuration Allowed     | Yes            |
| Max Ballast-Lamp Distance Remote Wiring  | 20'            |
| Max Ballast-Lamp Distance Tandem Wiring  | Any = 20'      |
| Max Ballast-Lamp Distance Through Wiring | Any = 20'      |
| Connector Type                           | No connector   |
| Temperature                              |                |
| T-Case Maximum (Nom)                     | 70 °C          |
| Mechanical and Housing                   |                |
| Housing Material                         | Metal          |
| Housing                                  | N              |

## Centium T12 Slimline

|                                 |   |
|---------------------------------|---|
| Housing Dimensions              | 9.5" x 1.3" x 1.0"  |
| <b>Approval and Application</b> |   |
| EMC Immunity Standard           | FCC Non-Consumer  |
| Approval Marks                  | CSA certificate UL certificate CEC Listing Circle E logo CSA E RoHS Compliant |
| Hum And Noise Level             | A   |
| UL Recognized                   | No  |
| <b>Product Data</b>             |   |
| Order product name              | CENTIUM ICN2P60N35I   |

|                                 |              |
|---------------------------------|--------------|
| EAN/UPC - Product               | 781087135556 |
| Order code                      | 913701261901 |
| Numerator - Quantity Per Pack   | 1            |
| Numerator - Packs per outer box | 10           |
| Material Nr. (12NC)             | 913701261901 |
| Net Weight (Piece)              | 350.000 g    |

### Dimensional drawing



| Product             | A1     | A2     | B1     | C1     |
|---------------------|--------|--------|--------|--------|
| CENTIUM ICN2P60N35I | 9.5 in | 8.9 in | 1.3 in | 1.0 in |

ELE BALLAST (2) F96T12 120-277V





# Centium T12 Slimline

## CENTIUM ICN2P60N35I

Reliable and energy-efficient, Philips Advance's line of Centium high frequency electronic ballasts for 8' T12 Slimline fluorescent lamps are a great replacement option when compared to magnetic ballasts. Lightweight with the same mounting configurations makes this an quick and easy retrofit solution.

### Product data

| General Information           |                        |
|-------------------------------|------------------------|
| Lamp Type                     | F96T12                 |
| Number of Lamps               | 1/2 piece/unit         |
| Ballast Type                  | Electronic Fluorescent |
| Base Model                    | ICN2P60N               |
| Suitable For Outdoor Use      | Yes                    |
| Automatic Restart             | Yes                    |
| Operating and Electrical      |                        |
| Input Voltage                 | 120 to 277 V           |
| Input Frequency               | 50 to 60 Hz            |
| Total Harmonic Distortion USA | 10 %                   |
| Ignition Method               | Instant Start          |
| Crestfactor (Nom)             | 1.6                    |
| Ignition Time (Nom)           | 0.1 s                  |
| Ballast Factor (Nom)          | 0.88                   |
| Power Factor (Nom)            | 0.99                   |
| Input Current (Max)           | 1.13 A                 |
| Input Current (Min)           | 0.48 A                 |
| Input Power (Nom)             | 135-132 W              |
| Rated Lamp Power              | 75 W                   |

| Wiring                                   |                |
|--|----------------|
| Color Input Terminals                    | No terminals   |
| Color Output Terminals                   | No terminals   |
| Wire Striplength                         | 0.50/0.375 mm  |
| Lamp Connection                          | Parallel       |
| Wire Length by Color                     | See data sheet |
| Wire Gauge (Nom)                         | 18AWG mm       |
| Wire Type                                | Solid          |
| Remote Wiring Configuration Allowed      | Yes            |
| Tandem Wiring Configuration Allowed      | Yes            |
| Through Wiring Configuration Allowed     | Yes            |
| Max Ballast-Lamp Distance Remote Wiring  | 20'            |
| Max Ballast-Lamp Distance Tandem Wiring  | Any = 20'      |
| Max Ballast-Lamp Distance Through Wiring | Any = 20'      |
| Connector Type                           | No connector   |
| Temperature                              |                |
| T-Case Maximum (Nom)                     | 70 °C          |
| Mechanical and Housing                   |                |
| Housing Material                         | Metal          |
| Housing                                  | N              |

## Centium T12 Slimline

|                                 |   |
|---------------------------------|---|
| Housing Dimensions              | 9.5" x 1.3" x 1.0"  |
| <b>Approval and Application</b> |   |
| EMC Immunity Standard           | FCC Non-Consumer  |
| Approval Marks                  | CSA certificate UL certificate CEC Listing Circle E logo CSA E RoHS Compliant |
| Hum And Noise Level             | A   |
| UL Recognized                   | No  |
| <b>Product Data</b>             |   |
| Order product name              | CENTIUM ICN2P60N35I   |

|                                 |              |
|---------------------------------|--------------|
| EAN/UPC - Product               | 781087135556 |
| Order code                      | 913701261901 |
| Numerator - Quantity Per Pack   | 1            |
| Numerator - Packs per outer box | 10           |
| Material Nr. (12NC)             | 913701261901 |
| Net Weight (Piece)              | 350.000 g    |

### Dimensional drawing



| Product             | A1     | A2     | B1     | C1     |
|---------------------|--------|--------|--------|--------|
| CENTIUM ICN2P60N35I | 9.5 in | 8.9 in | 1.3 in | 1.0 in |

ELE BALLAST (2) F96T12 120-277V

