



# Centium T5

## CENTIUM ICN2S28N35I

Philips Advance Centium ballasts for T5 lamps at 120-277V are now available with our industry leading N-can at 9.5" x 1.3" x 1.0" or T-can at 14.17" x 1.18" x 1.06", which provides fixture manufacturers increased versatility in their newer generation fixture designs. These ballasts are compatible with all major energy-saving T5 linear lamps and have a variety of other features which makes them ideal for a variety of applications. The ballasts' programmed start ignition provides extended lamp life in frequent switching applications such as those where occupancy sensors are being used. They also feature lamp End-Of-Life (EOL) protection circuitry which safely removes power from the lamp at the end of lamp life.

### Product data

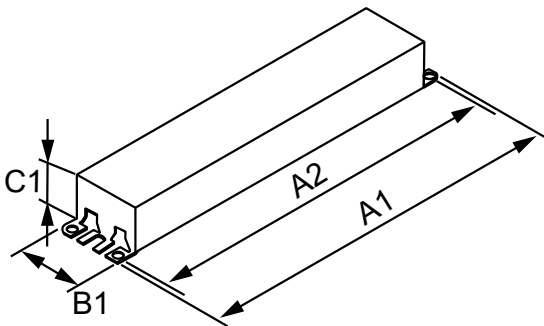
General Information		Input Current (Min)	
Lamp Type	F28T5		0.23 A
Number of Lamps	1/2 piece/unit	Input Power (Nom)	63-62 W
Ballast Type	Electronic Fluorescent	Rated Lamp Power	28 W
Base Model	ICN2S28N	<b>Wiring</b>	
Suitable For Outdoor Use	Yes	Color Input Terminals	No terminals
Automatic Restart	Yes	Color Output Terminals	No terminals
<b>Operating and Electrical</b>		Wire Striplength	0.50/0.375 mm
Input Voltage	120 to 277 V	Lamp Connection	Series
Input Frequency	50 to 60 Hz	Wire Length by Color	See data sheet
Total Harmonic Distortion USA	10 %	Wire Gauge (Nom)	18AWG mm
Ignition Method	Programmed Start	Wire Type	Solid
Crestfactor (Nom)	1.7	Remote Wiring Configuration Allowed	Yes
Ignition Time (Nom)	1.5 s	Tandem Wiring Configuration Allowed	Yes
Ballast Factor (Nom)	1.03	Through Wiring Configuration Allowed	Yes
Power Factor (Nom)	0.98	Max Ballast-Lamp Distance Remote Wiring	20'
Input Current (Max)	0.53 A	Max Ballast-Lamp Distance Tandem Wiring	Blue = 10'
		Max Ballast-Lamp Distance Through Wiring	Blue = 10'

## Centium T5

Connector Type	No connector
<b>Temperature</b>	
T-Case Maximum (Nom)	70 °C
<b>Mechanical and Housing</b>	
Housing Material	Metal
Housing	N
Housing Dimensions	9.5" x 1.3" x 1.0"
<b>Approval and Application</b>	
EMC Immunity Standard	FCC Non-Consumer
Approval Marks	CSA certificate UL certificate CEC Listing FIDE Certificate NOM certificate RoHS Compliant

Hum And Noise Level	A
UL Recognized	No
<b>Product Data</b>	
Order product name	CENTIUM ICN2S28N35I
EAN/UPC - Product	781087080726
Order code	913710891601
Numerator - Quantity Per Pack	1
Numerator - Packs per outer box	10
Material Nr. (12NC)	913710891601
Net Weight (Piece)	373.000 g

### Dimensional drawing



ELE BALLAST (2) F28T5 120-277V

Product	A1	A2	B1	C1
CENTIUM ICN2S28N35I	9.50 in	8.90 in	1.30 in	1.00 in





# Centium T5

## CENTIUM ICN2S28N35I

Philips Advance Centium ballasts for T5 lamps at 120-277V are now available with our industry leading N-can at 9.5" x 1.3" x 1.0" or T-can at 14.17" x 1.18" x 1.06", which provides fixture manufacturers increased versatility in their newer generation fixture designs. These ballasts are compatible with all major energy-saving T5 linear lamps and have a variety of other features which makes them ideal for a variety of applications. The ballasts' programmed start ignition provides extended lamp life in frequent switching applications such as those where occupancy sensors are being used. They also feature lamp End-Of-Life (EOL) protection circuitry which safely removes power from the lamp at the end of lamp life.

### Product data

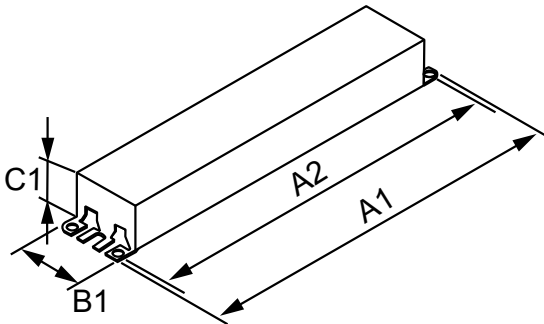
General Information		Input Current (Min)	
Lamp Type	F28T5		0.23 A
Number of Lamps	1/2 piece/unit	Input Power (Nom)	63-62 W
Ballast Type	Electronic Fluorescent	Rated Lamp Power	28 W
Base Model	ICN2S28N	<b>Wiring</b>	
Suitable For Outdoor Use	Yes	Color Input Terminals	No terminals
Automatic Restart	Yes	Color Output Terminals	No terminals
<b>Operating and Electrical</b>		Wire Striplength	0.50/0.375 mm
Input Voltage	120 to 277 V	Lamp Connection	Series
Input Frequency	50 to 60 Hz	Wire Length by Color	See data sheet
Total Harmonic Distortion USA	10 %	Wire Gauge (Nom)	18AWG mm
Ignition Method	Programmed Start	Wire Type	Solid
Crestfactor (Nom)	1.7	Remote Wiring Configuration Allowed	Yes
Ignition Time (Nom)	1.5 s	Tandem Wiring Configuration Allowed	Yes
Ballast Factor (Nom)	1.03	Through Wiring Configuration Allowed	Yes
Power Factor (Nom)	0.98	Max Ballast-Lamp Distance Remote Wiring	20'
Input Current (Max)	0.53 A	Max Ballast-Lamp Distance Tandem Wiring	Blue = 10'
		Max Ballast-Lamp Distance Through Wiring	Blue = 10'

## Centium T5

Connector Type	No connector
<b>Temperature</b>	
T-Case Maximum (Nom)	70 °C
<b>Mechanical and Housing</b>	
Housing Material	Metal
Housing	N
Housing Dimensions	9.5" x 1.3" x 1.0"
<b>Approval and Application</b>	
EMC Immunity Standard	FCC Non-Consumer
Approval Marks	CSA certificate UL certificate CEC Listing FIDE Certificate NOM certificate RoHS Compliant

Hum And Noise Level	A
UL Recognized	No
<b>Product Data</b>	
Order product name	CENTIUM ICN2S28N35I
EAN/UPC - Product	781087080726
Order code	913710891601
Numerator - Quantity Per Pack	1
Numerator - Packs per outer box	10
Material Nr. (12NC)	913710891601
Net Weight (Piece)	373.000 g

### Dimensional drawing



ELE BALLAST (2) F28T5 120-277V

Product	A1	A2	B1	C1
CENTIUM ICN2S28N35I	9.50 in	8.90 in	1.30 in	1.00 in

