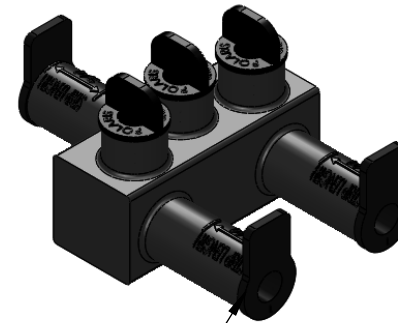
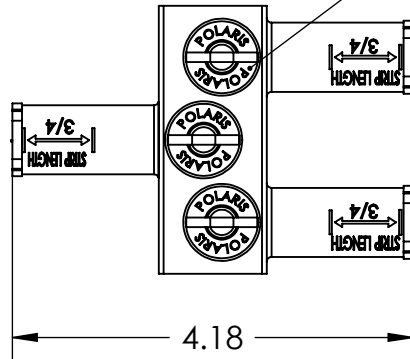


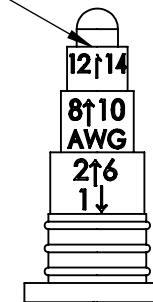
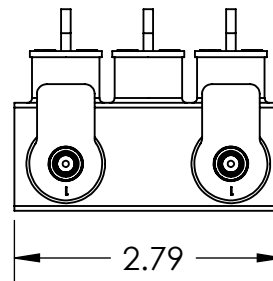
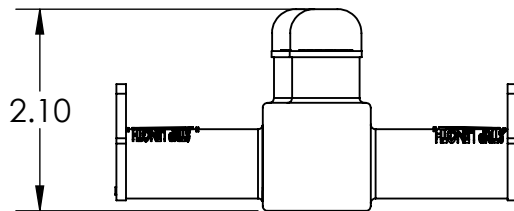


REMOVAL BE CAPS FOR
ACCESS TO 3/16 INTERNAL HEX
PRESSURE SCREWS



2/0 - #14 AWG
CONDUCTOR PORTS
ROCKET USED FOR #1-#14
DISCARD ROCKET FOR 1/0-2/0

CUT ROCKET AT
APPROPRIATE STEP
FOR WIRE SIZE
USED



CONTACT NSi FOR SALES @ 800.321.5847



POLARIS
SALES . CO . INC

PROPRIETARY AND CONFIDENTIAL

11625 PROSPEROUS DRIVE ODESSA, FL 33556

THE INFORMATION CONTAINED IN THIS
DRAWING IS THE SOLE PROPERTY OF
POLARIS SALES CO. INC. ANY
REPRODUCTION IN PART OR AS A WHOLE
WITHOUT THE WRITTEN PERMISSION OF
POLARIS SALES CO. INC. IS PROHIBITED.

TITLE:

2/0-#14 STREET LIGHT CONN.
TWO PORTS FROM ONE SIDE
ONE PORT FROM OPPOSITE SIDE

NAME

DATE

DWG. NO.

DRAWN BY S.PARRY

4/3/2014

ISPBO 2/0

MATERIAL: 6061-T6511 ALUMINUM

SCALE: 1:1

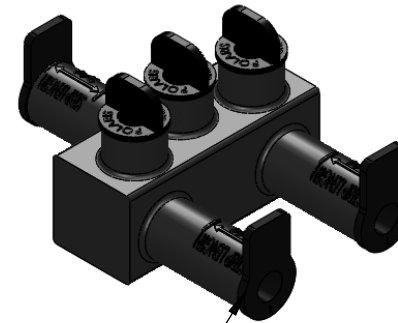
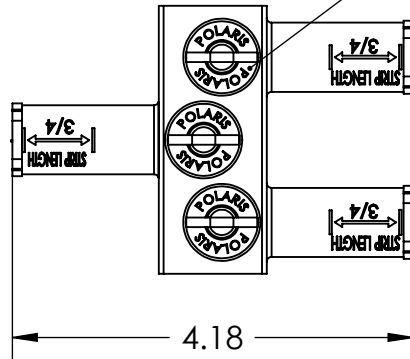
SHEET: 1 OF 1

NOTES:

1. DI-ELECTRIC SILICONE FILM ON ROCKET AND CAP FOR EASY ASSY/DISSY.
2. PRE-FILLED W/ OXIDE INHIBITOR.
3. SHIPPED IN SEALED BAG W/ INSTALL INSTRUCTIONS.

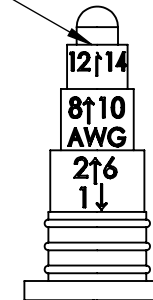
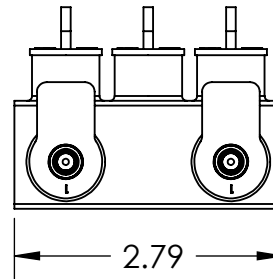
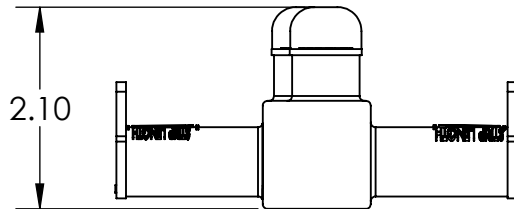


REMOVAL BE CAPS FOR
ACCESS TO 3/16 INTERNAL HEX
PRESSURE SCREWS



2/0 - #14 AWG
CONDUCTOR PORTS
ROCKET USED FOR #1-#14
DISCARD ROCKET FOR 1/0-2/0

CUT ROCKET AT
APPROPRIATE STEP
FOR WIRE SIZE
USED



CONTACT NSi FOR SALES @ 800.321.5847



POLARIS
SALES . CO . INC

PROPRIETARY AND CONFIDENTIAL

11625 PROSPEROUS DRIVE ODESSA, FL 33556

THE INFORMATION CONTAINED IN THIS
DRAWING IS THE SOLE PROPERTY OF
POLARIS SALES CO. INC. ANY
REPRODUCTION IN PART OR AS A WHOLE
WITHOUT THE WRITTEN PERMISSION OF
POLARIS SALES CO. INC. IS PROHIBITED.

TITLE:

2/0-#14 STREET LIGHT CONN.
TWO PORTS FROM ONE SIDE
ONE PORT FROM OPPOSITE SIDE

NAME

DATE

DWG. NO.

DRAWN BY S.PARRY

4/3/2014

ISPBO 2/0

MATERIAL: 6061-T6511 ALUMINUM

SCALE: 1:1

SHEET: 1 OF 1

NOTES:

1. DI-ELECTRIC SILICONE FILM ON ROCKET AND CAP FOR EASY ASSY/DISSY.
2. PRE-FILLED W/ OXIDE INHIBITOR.
3. SHIPPED IN SEALED BAG W/ INSTALL INSTRUCTIONS.