

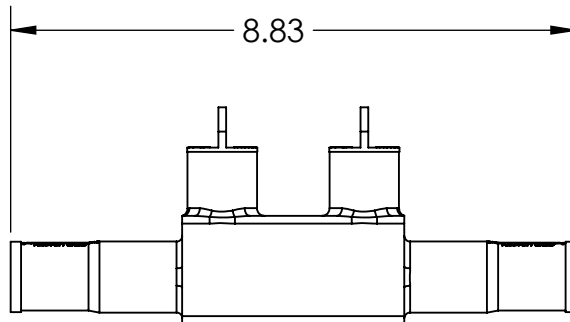
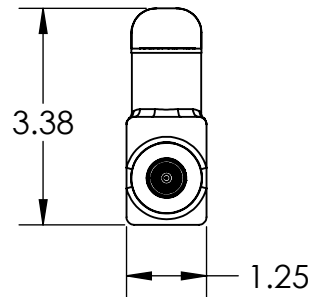
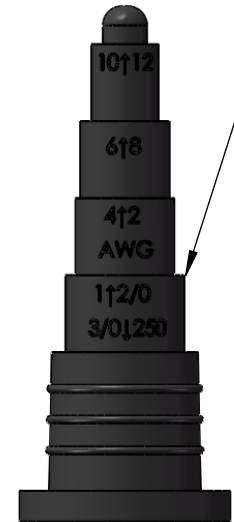
**NOTES:**

1. CONNECTORS ARE MANUFACTURED FROM 6061-T6511 ALUMINUM ALLOY.
2. CONNECTOR BODY, ROCKET AND SCREW CAP ARE MANUFACTURED FROM UV RATED SANTOPRENE RUBBER.
3. CONNECTOR MEETS OR EXCEEDS ANSI C119.1 SPECIFICATIONS

REMOVAL BE CAPS FOR ACCESS TO 5/16 INTERNAL HEX PRESSURE SCREWS

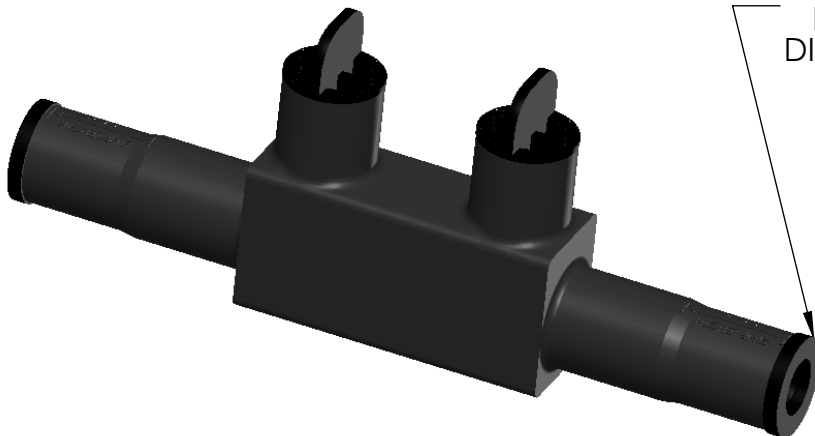



CUT CAP FOR APPROPRIATE WIRE SIZE AS INDICATED ON CAP



**ROCKET DETAIL**

350 - #12 AWG CONDUCTOR PORTS  
ROCKET USED FOR 250-#12  
DISCARD ROCKET FOR 350-300



		<b>POLARIS</b> SALES . CO . INC	
PROPRIETARY AND CONFIDENTIAL		11625 PROSPEROUS DRIVE ODESSA, FL 33556	
THE INFORMATION CONTAINED IN THIS DRAWING IS THE SOLE PROPERTY OF POLARIS SALES CO. INC. ANY REPRODUCTION IN PART OR AS A WHOLE WITHOUT THE WRITTEN PERMISSION OF POLARIS SALES CO. INC. IS PROHIBITED.		<b>TITLE:</b> SUBMERSIBLE SPLICE CONNECTOR	
NAME	DATE	DWG. NO.	REV
DRAWN BY L. HILL	4/3/2014	SSWB350P	A
<b>MATERIAL:</b> SEE NOTES		<b>SCALE:</b> N/A	<b>SHEET:</b> 1 OF 1

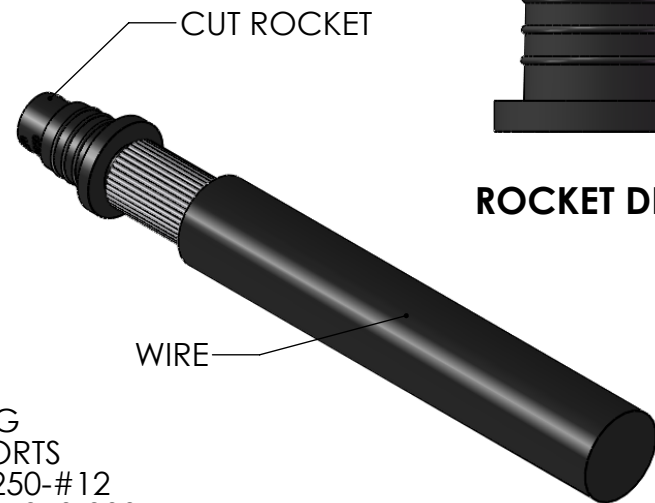
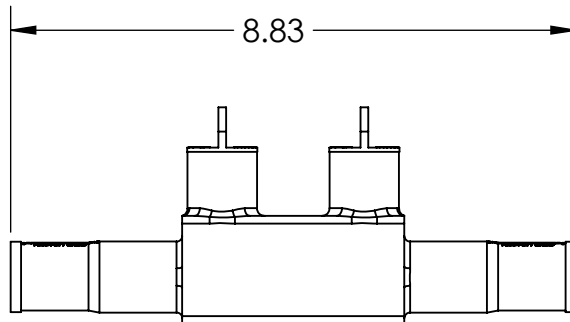
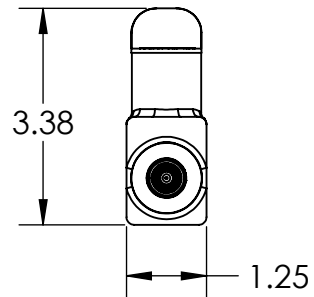
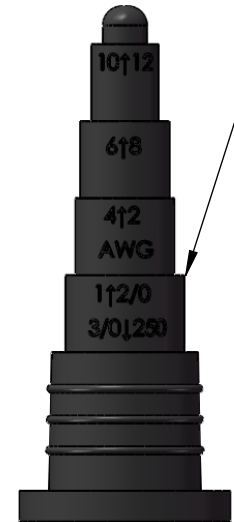
**NOTES:**

1. CONNECTORS ARE MANUFACTURED FROM 6061-T6511 ALUMINUM ALLOY.
2. CONNECTOR BODY, ROCKET AND SCREW CAP ARE MANUFACTURED FROM UV RATED SANTOPRENE RUBBER.
3. CONNECTOR MEETS OR EXCEEDS ANSI C119.1 SPECIFICATIONS

REMOVAL BE CAPS FOR ACCESS TO 5/16 INTERNAL HEX PRESSURE SCREWS

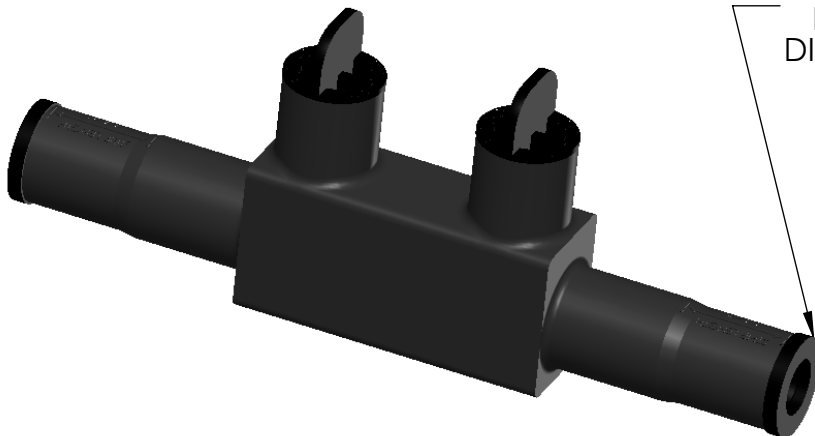



CUT CAP FOR APPROPRIATE WIRE SIZE AS INDICATED ON CAP



**ROCKET DETAIL**

350 - #12 AWG CONDUCTOR PORTS  
ROCKET USED FOR 250-#12  
DISCARD ROCKET FOR 350-300



		<b>POLARIS</b> SALES . CO . INC	
PROPRIETARY AND CONFIDENTIAL		11625 PROSPEROUS DRIVE ODESSA, FL 33556	
THE INFORMATION CONTAINED IN THIS DRAWING IS THE SOLE PROPERTY OF POLARIS SALES CO. INC. ANY REPRODUCTION IN PART OR AS A WHOLE WITHOUT THE WRITTEN PERMISSION OF POLARIS SALES CO. INC. IS PROHIBITED.		<b>TITLE:</b> SUBMERSIBLE SPLICE CONNECTOR	
NAME                      DATE		<b>DWG. NO.</b>	REV
DRAWN BY    L. HILL	4/3/2014	SSWB350P	A
<b>MATERIAL:</b> SEE NOTES		<b>SCALE:</b> N/A	<b>SHEET:</b> 1 OF 1