



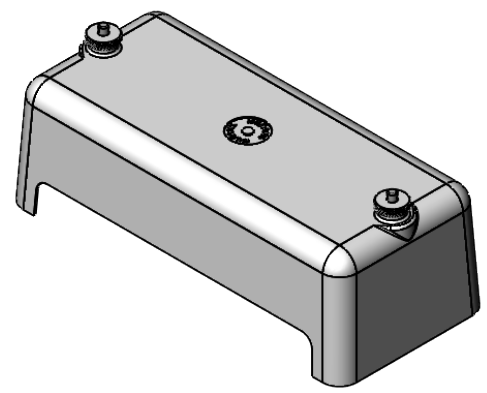
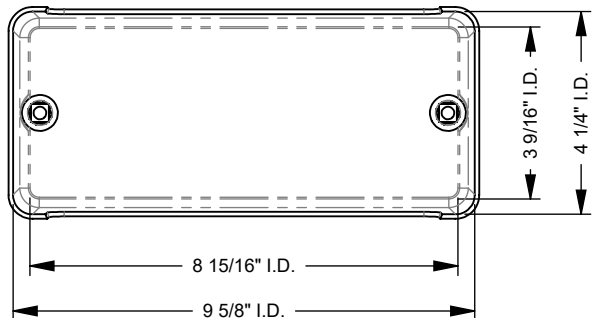
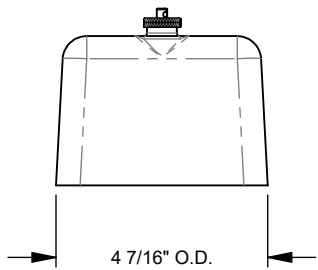
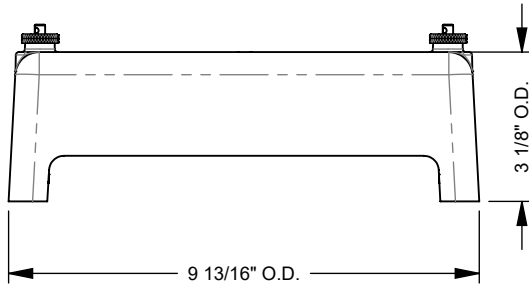
MILBANK[®]
ENERGY AT WORK

K3388-BLK-FL



Catalog Number	K3388-BLK-FL
Marketing Product Description	Test Switch Cover Black Flush
UPC	784572250864
Length (IN)	3.149
Width (IN)	9.813
Height (IN)	4.437
Weight (LB)	0.75
Brand Name	Milbank
Type	Test Switch Cover
Application	Metering Accessory
Material	Polycarbonate
Finish	Unpainted
Shape	Rectangle
Size	3.149L x 9.813W x 4.437H
Color	Black
Construction	Sheared
Mounting	Flush Mount
NEMA Rating	No Rating

Please consult serving utility for their requirements prior to ordering or installing, as specifications and approvals vary by utility and may require local electrical inspector approval. All installations must be installed by a licensed electrician and must comply with all national and local codes, laws and regulations. Milbank reserves the right to make changes in specifications and features shown without notice or obligation.



MILBANK
ENERGY AT WORK

Version:

1

**All dimensions are +/- 1/16".
Drawing views are not to scale.**

Please consult serving utility for their requirements prior to ordering or installing, as specifications and approvals vary by utility, and may require local electrical inspector approval. All installations must be installed by a licensed electrician and must comply with all national and local codes, laws and regulations. Milbank reserves the right to make changes in specifications and features shown without notice or obligation.



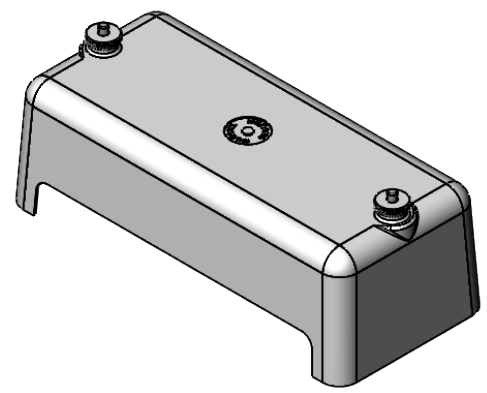
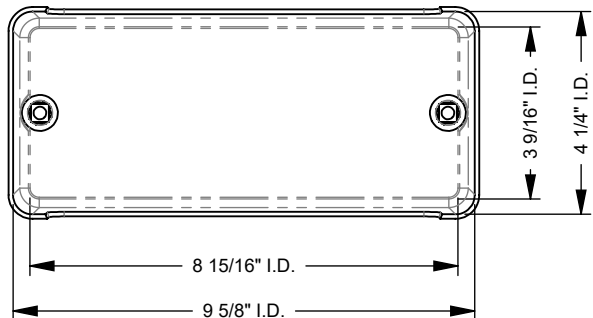
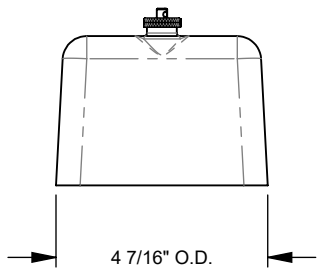
MILBANK[®]
ENERGY AT WORK

K3388-BLK-FL



Catalog Number	K3388-BLK-FL
Marketing Product Description	Test Switch Cover Black Flush
UPC	784572250864
Length (IN)	3.149
Width (IN)	9.813
Height (IN)	4.437
Weight (LB)	0.75
Brand Name	Milbank
Type	Test Switch Cover
Application	Metering Accessory
Material	Polycarbonate
Finish	Unpainted
Shape	Rectangle
Size	3.149L x 9.813W x 4.437H
Color	Black
Construction	Sheared
Mounting	Flush Mount
NEMA Rating	No Rating

Please consult serving utility for their requirements prior to ordering or installing, as specifications and approvals vary by utility and may require local electrical inspector approval. All installations must be installed by a licensed electrician and must comply with all national and local codes, laws and regulations. Milbank reserves the right to make changes in specifications and features shown without notice or obligation.



MILBANK
ENERGY AT WORK

Version:

1

**All dimensions are +/- 1/16".
Drawing views are not to scale.**

Please consult serving utility for their requirements prior to ordering or installing, as specifications and approvals vary by utility, and may require local electrical inspector approval. All installations must be installed by a licensed electrician and must comply with all national and local codes, laws and regulations. Milbank reserves the right to make changes in specifications and features shown without notice or obligation.