

FEATURES

- Heavy duty channel with longitudinal reinforcing ribs for added rigidity and easy slide clamp hanging
- Rotary lock lampholders for positive lamp contact
- Channel ends double as joiners
- Individual or row mounting. Surface or suspended
- ¼ turn fasteners retain the ballast cover for quick and easy installation

PROJECT INFORMATION

Project Name _____

Type _____

Catalog No. _____

Date _____

CONSTRUCTION

Heavy steel housing with longitudinal reinforcing ribs for extra strength.

FINISH

White painted parts are treated with a five stage phosphate bonding process and finished with a high reflectance baked enamel.

BALLASTS

Energy efficient, thermally protected, automatic resetting, Class P, high power factor, sound rated A, unless otherwise specified. CEE NEMA Premium compliant.

ELECTRICAL

Standard class "P", thermally protected, auto-resetting HPF ballast, sound rated A. CEE NEMA Premium compliant. All ballast leads extend a minimum of 6" through access location. NEC/CEC-compliant ballast disconnect is standard.

CERTIFICATION

All luminaires are built to UL 1598 standards and bear appropriate UL and cUL or CSA labels. Damp location labeling is standard. Emergency-equipped fixtures labeled UL 924.

ORDERING INFORMATION

EXAMPLE K4-232-EU

K	-	32	-	U	-	GLR
MODEL	SIZE	NO. OF LAMPS IN CROSS SECTION	LAMP TYPE	BALLAST	VOLTAGE	OPTIONS
K Heavy Duty Channel	4 4' 8 8'	1 One 2 Two	32 4', T8: 32, 30, 28 or 25 Watt	E Electronic T8, Instant Start 3E 3-Lamp Electronic T8, Instant Start 4E 4-Lamp Electronic T8, Instant Start For a specific ballast vendor show as option.	U 120V-277V 347 347V	GLR Fast Blow Fuse GMF Slow Blow Fuse EL Emergency Battery Pack BC Branch Circuit Plug-on Wiring System (See options section for details.) UN Full Height Channel Ends PAF Paint After Fabrication NYC NYC Compliant NYCU NYC Compliant, Union Label
						ACCESSORIES (ORDER SEPARATELY)
						ITB4 Hanger for close mounting on a T-Bar Ceiling KZT Zip Tee Hanger - 1½" spacer on tee bar ceiling KTH Slide Clamp Tong Hanger CSWG4 4' Wire Guard, 2 required for 8' fixture CSRA4 4' Asymmetric Reflector CSR4 4' Symmetric Reflector



PHOTOMETRIC DATA

LUMINAIRE DATA

Luminaire	K4-240-LE K Striplight 4' Pendant Mount Premium Striplight w/White Reflector
Ballast	R-2540
Ballast Factor	0.95
Lamp	F40T12
Lumens per Lamp	3150
Watts	85
Shielding Angle	N/A
Spacing Criterion	0° = 1.25 90° = 1.58
Luminous Opening in Feet	Length: 4.00 Width: 0.35 Height: 0.00

ZONAL LUMEN SUMMARY

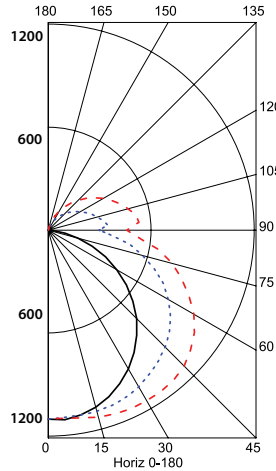
Zone	Lumens	% Lamp	% Fixt.
0-30	908	14.4	15.6
0-40	1547	24.6	26.6
0-60	3024	48.0	52.0
0-90	4650	73.8	80.0
90-120	831	13.2	14.3
90-130	990	15.7	17.0
90-150	1142	18.1	19.6
90-180	1164	18.5	20.0
0-180	5813	92.3	100.0

Test 11316 Test Date 1/8/03

ENERGY DATA

Total Luminaire Efficiency	92.3%
Luminaire Efficacy Rating (LER)	65
IESNA RP-1-1993 Compliance	Non-Compliant
Comparative Yearly Lighting Energy Cost per 1000 Lumens	\$3.69 based on 3000 hrs. and \$0.08 per KWH

INDOOR CANDELA PLOT



AVG. LUMINANCE (Candela/Sq. M.)

	0.0	22.5	45.0	67.5	90.0
0	8457	8457	8457	8457	8457
30	8283	8638	9348	9943	10174
40	8029	8742	9997	11050	11414
45	7916	8818	10471	11732	12156
50	7691	8971	11004	12464	12942
55	7440	9115	11635	13364	13927
60	7104	9395	12394	14378	15039
65	6695	9806	13463	15700	16446
70	6115	10386	14769	17534	18546
75	5347	11318	16933	20795	22191
80	4428	13150	21474	27098	28957
85	3088	18879	33347	43492	47109

COEFFICIENTS OF UTILIZATION (%)

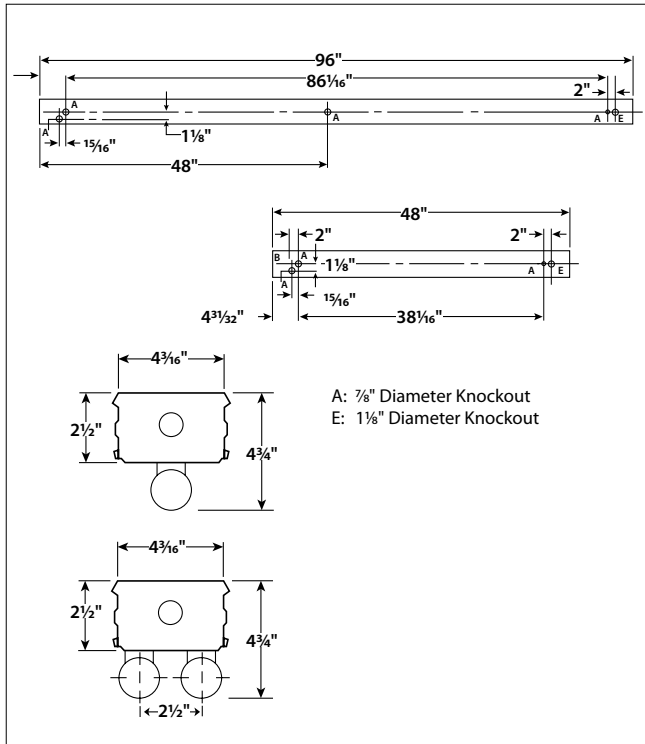
RCR	RW	80				70				50				0			
		70	50	30	10	70	50	30	10	50	30	10	0	50	30	10	0
1	94	88	83	79	89	84	80	76	77	73	70	56					
2	84	75	68	62	80	72	65	60	65	60	55	44					
3	76	65	57	50	72	62	54	48	57	50	45	36					
4	69	57	48	41	65	54	46	40	50	43	38	30					
5	63	50	42	35	60	48	40	34	44	37	32	25					
6	58	45	36	30	55	43	35	29	40	33	27	22					
7	53	40	32	26	51	39	31	25	36	29	24	19					
8	50	37	29	23	47	35	28	22	32	26	21	17					
9	46	33	26	20	44	32	25	20	30	23	19	15					
10	43	31	23	18	41	30	23	18	27	21	17	13					

RCR = Room Cavity Ratio

RC = Effective Ceiling Cavity Reflectance RW = Wall Reflectance

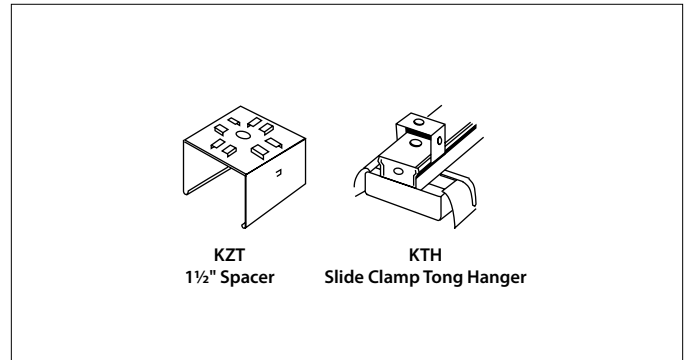
0.0 ——— 45.0 - - - - - 90.0 - - - - -

DIMENSIONAL DATA

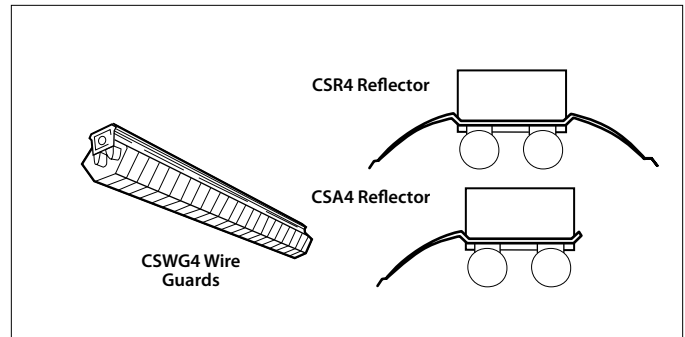


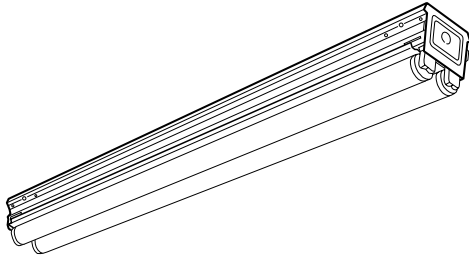
NOTE: All dimensions are in inches; dimensions and specifications are subject to change without notice. Please consult factory or check sample for verification.

MOUNTING ACCESSORIES



ACCESSORIES





FEATURES

- Heavy duty channel with longitudinal reinforcing ribs for added rigidity and easy slide clamp hanging
- Rotary lock lampholders for positive lamp contact
- Channel ends double as joiners
- Individual or row mounting. Surface or suspended
- ¼ turn fasteners retain the ballast cover for quick and easy installation

PROJECT INFORMATION

Project Name _____

Type _____

Catalog No. _____

Date _____

CONSTRUCTION

Heavy steel housing with longitudinal reinforcing ribs for extra strength.

FINISH

White painted parts are treated with a five stage phosphate bonding process and finished with a high reflectance baked enamel.

BALLASTS

Energy efficient, thermally protected, automatic resetting, Class P, high power factor, sound rated A, unless otherwise specified. CEE NEMA Premium compliant.

ELECTRICAL

Standard class "P", thermally protected, auto-resetting HPF ballast, sound rated A. CEE NEMA Premium compliant. All ballast leads extend a minimum of 6" through access location. NEC/CEC-compliant ballast disconnect is standard.

CERTIFICATION

All luminaires are built to UL 1598 standards and bear appropriate UL and cUL or CSA labels. Damp location labeling is standard. Emergency-equipped fixtures labeled UL 924.

ORDERING INFORMATION

EXAMPLE K4-232-EU

K	-	32	-	-	-	-
MODEL	SIZE	NO. OF LAMPS IN CROSS SECTION	LAMP TYPE	BALLAST	VOLTAGE	OPTIONS
K Heavy Duty Channel	4 4' 8 8'	1 One 2 Two	32 4', T8: 32, 30, 28 or 25 Watt	E Electronic T8, Instant Start 3E 3-Lamp Electronic T8, Instant Start 4E 4-Lamp Electronic T8, Instant Start For a specific ballast vendor show as option.	U 120V-277V 347 347V	GLR Fast Blow Fuse GMF Slow Blow Fuse EL Emergency Battery Pack BC Branch Circuit Plug-on Wiring System (See options section for details.) UN Full Height Channel Ends PAF Paint After Fabrication NYC NYC Compliant NYCU NYC Compliant, Union Label
						ACCESSORIES (ORDER SEPARATELY)
						ITB4 Hanger for close mounting on a T-Bar Ceiling KZT Zip Tee Hanger - 1½" spacer on tee bar ceiling KTH Slide Clamp Tong Hanger CSWG4 4' Wire Guard, 2 required for 8' fixture CSRA4 4' Asymmetric Reflector CSR4 4' Symmetric Reflector



PHOTOMETRIC DATA

LUMINAIRE DATA

Luminaire	K4-240-LE K Striplight 4' Pendant Mount Premium Striplight w/White Reflector
Ballast	R-2540
Ballast Factor	0.95
Lamp	F40T12
Lumens per Lamp	3150
Watts	85
Shielding Angle	N/A
Spacing Criterion	0° = 1.25 90° = 1.58
Luminous Opening in Feet	Length: 4.00 Width: 0.35 Height: 0.00

ZONAL LUMEN SUMMARY

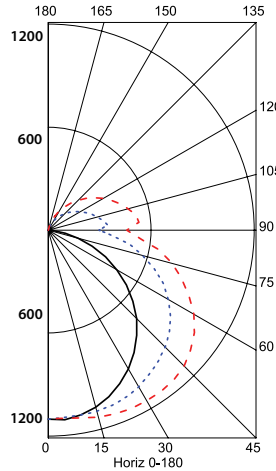
Zone	Lumens	% Lamp	% Fixt.
0-30	908	14.4	15.6
0-40	1547	24.6	26.6
0-60	3024	48.0	52.0
0-90	4650	73.8	80.0
90-120	831	13.2	14.3
90-130	990	15.7	17.0
90-150	1142	18.1	19.6
90-180	1164	18.5	20.0
0-180	5813	92.3	100.0

Test 11316 Test Date 1/8/03

ENERGY DATA

Total Luminaire Efficiency	92.3%
Luminaire Efficacy Rating (LER)	65
IESNA RP-1-1993 Compliance	Non-Compliant
Comparative Yearly Lighting Energy Cost per 1000 Lumens	\$3.69 based on 3000 hrs. and \$0.08 per KWH

INDOOR CANDELA PLOT



AVG. LUMINANCE (Candela/Sq. M.)

Average Luminance Angle	0.0	22.5	45.0	67.5	90.0
0	8457	8457	8457	8457	8457
30	8283	8638	9348	9943	10174
40	8029	8742	9997	11050	11414
45	7916	8818	10471	11732	12156
50	7691	8971	11004	12464	12942
55	7440	9115	11635	13364	13927
60	7104	9395	12394	14378	15039
65	6695	9806	13463	15700	16446
70	6115	10386	14769	17534	18546
75	5347	11318	16933	20795	22191
80	4428	13150	21474	27098	28957
85	3088	18879	33347	43492	47109

COEFFICIENTS OF UTILIZATION (%)

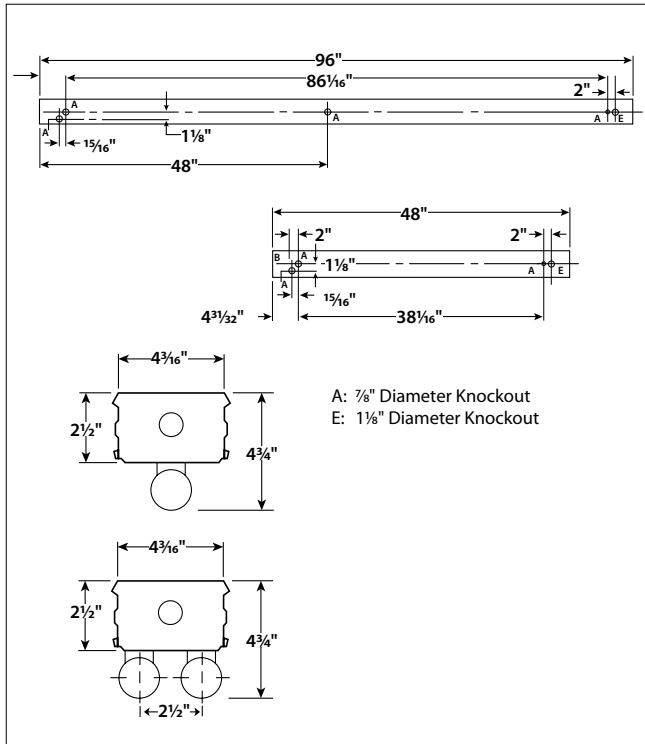
RCR	RW	80				70				50				0				
		70	50	30	10	70	50	30	10	50	30	10	0	50	30	10	0	
1	94	88	83	79	89	84	80	76	77	73	70	56						
2	84	75	68	62	80	72	65	60	65	60	55	44						
3	76	65	57	50	72	62	54	48	57	50	45	36						
4	69	57	48	41	65	54	46	40	50	43	38	30						
5	63	50	42	35	60	48	40	34	44	37	32	25						
6	58	45	36	30	55	43	35	29	40	33	27	22						
7	53	40	32	26	51	39	31	25	36	29	24	19						
8	50	37	29	23	47	35	28	22	32	26	21	17						
9	46	33	26	20	44	32	25	20	30	23	19	15						
10	43	31	23	18	41	30	23	18	27	21	17	13						

RCR = Room Cavity Ratio

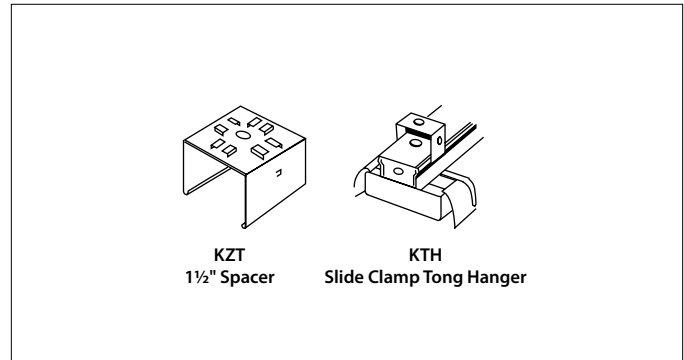
RC = Effective Ceiling Cavity Reflectance RW = Wall Reflectance

0.0 ——— 45.0 - - - - - 90.0 - - - - -

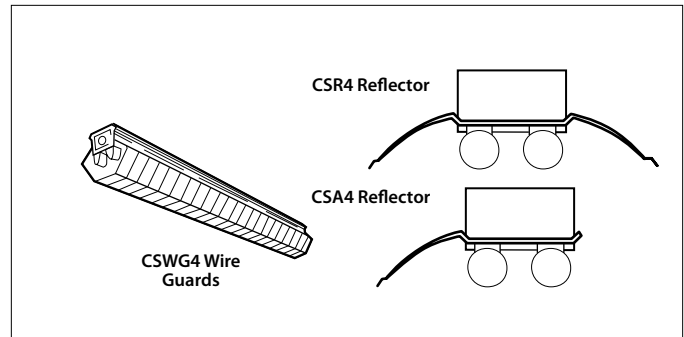
DIMENSIONAL DATA



MOUNTING ACCESSORIES



ACCESSORIES



NOTE: All dimensions are in inches; dimensions and specifications are subject to change without notice. Please consult factory or check sample for verification.