

**FEATURES**

- Heavy duty channel with longitudinal reinforcing ribs for added rigidity and easy slide clamp hanging
- Rotary lock lampholders for positive lamp contact
- Channel ends double as joiners
- Individual or row mounting. Surface or suspended
- ¼ turn fasteners retain the ballast cover for quick and easy installation

**PROJECT INFORMATION**

Project Name \_\_\_\_\_

Type \_\_\_\_\_

Catalog No. \_\_\_\_\_

Date \_\_\_\_\_

**CONSTRUCTION**

Heavy steel housing with longitudinal reinforcing ribs for extra strength.

**FINISH**

White painted parts are treated with a five stage phosphate bonding process and finished with a high reflectance baked enamel.

**BALLASTS**

Energy efficient, thermally protected, automatic resetting, Class P, high power factor, sound rated A, unless otherwise specified. CEE NEMA Premium compliant.

**ELECTRICAL**

Standard class "P", thermally protected, auto-resetting HPF ballast, sound rated A. CEE NEMA Premium compliant. All ballast leads extend a minimum of 6" through access location. NEC/CEC-compliant ballast disconnect is standard.

**CERTIFICATION**

All luminaires are built to UL 1598 standards and bear appropriate UL and cUL or CSA labels. Damp location labeling is standard. Emergency-equipped fixtures labeled UL 924.

**ORDERING INFORMATION**

**EXAMPLE K4-232-EU**

<b>K</b>	-	<b>32</b>	-	-	-	-
<b>MODEL</b>	<b>SIZE</b>	<b>NO. OF LAMPS IN CROSS SECTION</b>	<b>LAMP TYPE</b>	<b>BALLAST</b>	<b>VOLTAGE</b>	<b>OPTIONS</b>
<b>K</b> Heavy Duty Channel	<b>4</b> 4' <b>8</b> 8'	<b>1</b> One <b>2</b> Two	<b>32</b> 4', T8: 32, 30, 28 or 25 Watt	<b>E</b> Electronic T8, Instant Start <b>3E</b> 3-Lamp Electronic T8, Instant Start <b>4E</b> 4-Lamp Electronic T8, Instant Start  For a specific ballast vendor show as option.	<b>U</b> 120V-277V <b>347</b> 347V	<b>GLR</b> Fast Blow Fuse <b>GMF</b> Slow Blow Fuse <b>EL</b> Emergency Battery Pack <b>BC</b> Branch Circuit Plug-on Wiring System (See options section for details.) <b>UN</b> Full Height Channel Ends <b>PAF</b> Paint After Fabrication <b>NYC</b> NYC Compliant <b>NYCU</b> NYC Compliant, Union Label
<b>ACCESSORIES (ORDER SEPARATELY)</b>						
<b>ITB4</b> Hanger for close mounting on a T-Bar Ceiling						
<b>KZT</b> Zip Tee Hanger - 1½" spacer on tee bar ceiling						
<b>KTH</b> Slide Clamp Tong Hanger						
<b>CSWG4</b> 4' Wire Guard, 2 required for 8' fixture						
<b>CSRA4</b> 4' Asymmetric Reflector						
<b>CSR4</b> 4' Symmetric Reflector						

## PHOTOMETRIC DATA

### LUMINAIRE DATA

Luminaire	<b>K4-240-LE K Striplight 4' Pendant Mount Premium Striplight w/White Reflector</b>
Ballast	<b>R-2540</b>
Ballast Factor	<b>0.95</b>
Lamp	<b>F40T12</b>
Lumens per Lamp	<b>3150</b>
Watts	<b>85</b>
Shielding Angle	<b>N/A</b>
Spacing Criterion	<b>0° = 1.25 90° = 1.58</b>
Luminous Opening in Feet	<b>Length: 4.00 Width: 0.35 Height: 0.00</b>

### ZONAL LUMEN SUMMARY

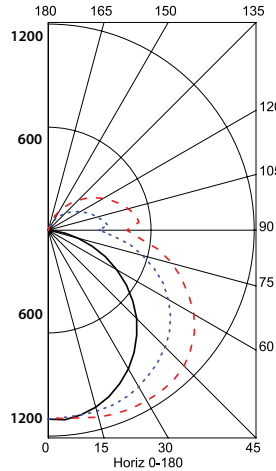
Zone	Lumens	% Lamp	% Fixt.
0-30	908	14.4	15.6
0-40	1547	24.6	26.6
0-60	3024	48.0	52.0
0-90	4650	73.8	80.0
90-120	831	13.2	14.3
90-130	990	15.7	17.0
90-150	1142	18.1	19.6
90-180	1164	18.5	20.0
0-180	5813	92.3	100.0

Test 11316 Test Date 1/8/03

### ENERGY DATA

Total Luminaire Efficiency	<b>92.3%</b>
Luminaire Efficacy Rating (LER)	<b>65</b>
IESNA RP-1-1993 Compliance	<b>Non-Compliant</b>
Comparative Yearly Lighting Energy Cost per 1000 Lumens	<b>\$3.69 based on 3000 hrs. and \$0.08 per KWH</b>

### INDOOR CANDELA PLOT



### AVG. LUMINANCE (Candela/Sq. M.)

	0.0	22.5	45.0	67.5	90.0
0	8457	8457	8457	8457	8457
30	8283	8638	9348	9943	10174
40	8029	8742	9997	11050	11414
45	7916	8818	10471	11732	12156
50	7691	8971	11004	12464	12942
55	7440	9115	11635	13364	13927
60	7104	9395	12394	14378	15039
65	6695	9806	13463	15700	16446
70	6115	10386	14769	17534	18546
75	5347	11318	16933	20795	22191
80	4428	13150	21474	27098	28957
85	3088	18879	33347	43492	47109

### COEFFICIENTS OF UTILIZATION (%)

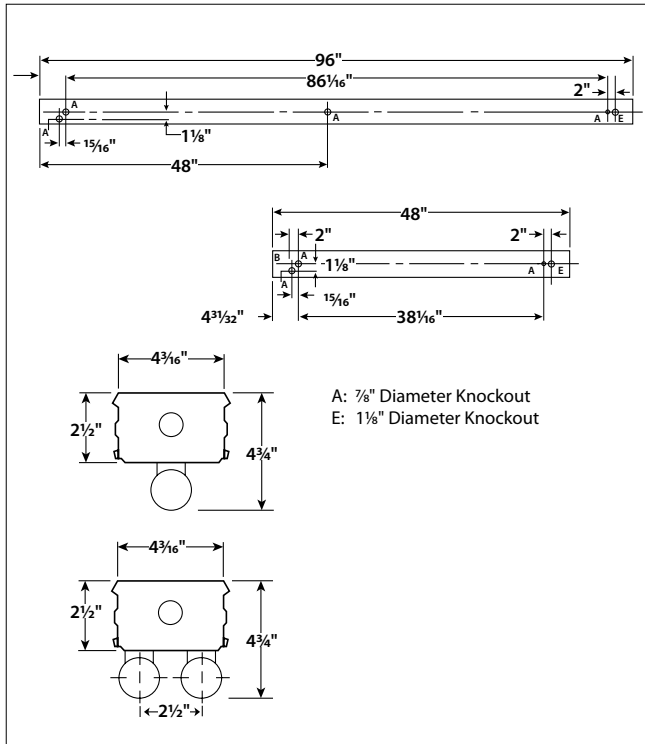
RCR	RW	80				70				50				0
		70	50	30	10	70	50	30	10	50	30	10	0	
1	94	88	83	79	89	84	80	76	77	73	70	56		
2	84	75	68	62	80	72	65	60	65	60	55	44		
3	76	65	57	50	72	62	54	48	57	50	45	36		
4	69	57	48	41	65	54	46	40	50	43	38	30		
5	63	50	42	35	60	48	40	34	44	37	32	25		
6	58	45	36	30	55	43	35	29	40	33	27	22		
7	53	40	32	26	51	39	31	25	36	29	24	19		
8	50	37	29	23	47	35	28	22	32	26	21	17		
9	46	33	26	20	44	32	25	20	30	23	19	15		
10	43	31	23	18	41	30	23	18	27	21	17	13		

RCR = Room Cavity Ratio

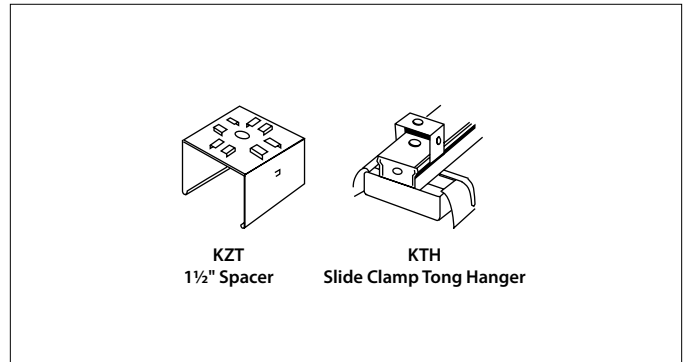
RC = Effective Ceiling Cavity Reflectance RW = Wall Reflectance

0.0 ——— 45.0 - - - - - 90.0 - - - - -

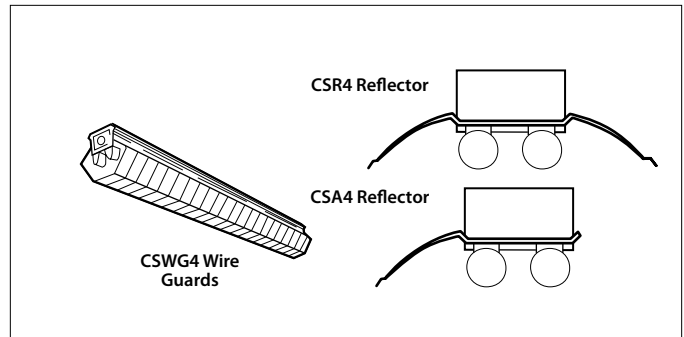
### DIMENSIONAL DATA



### MOUNTING ACCESSORIES



### ACCESSORIES



**NOTE:** All dimensions are in inches; dimensions and specifications are subject to change without notice. Please consult factory or check sample for verification.