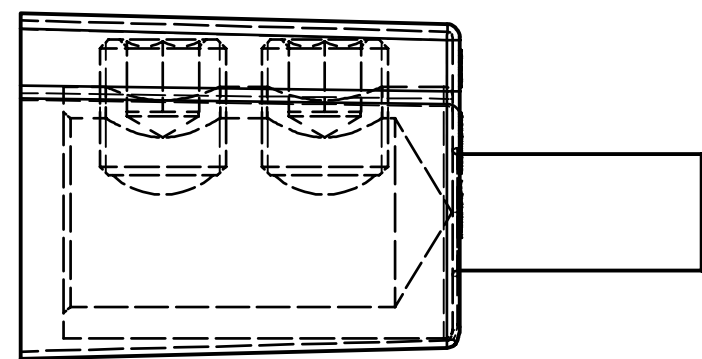
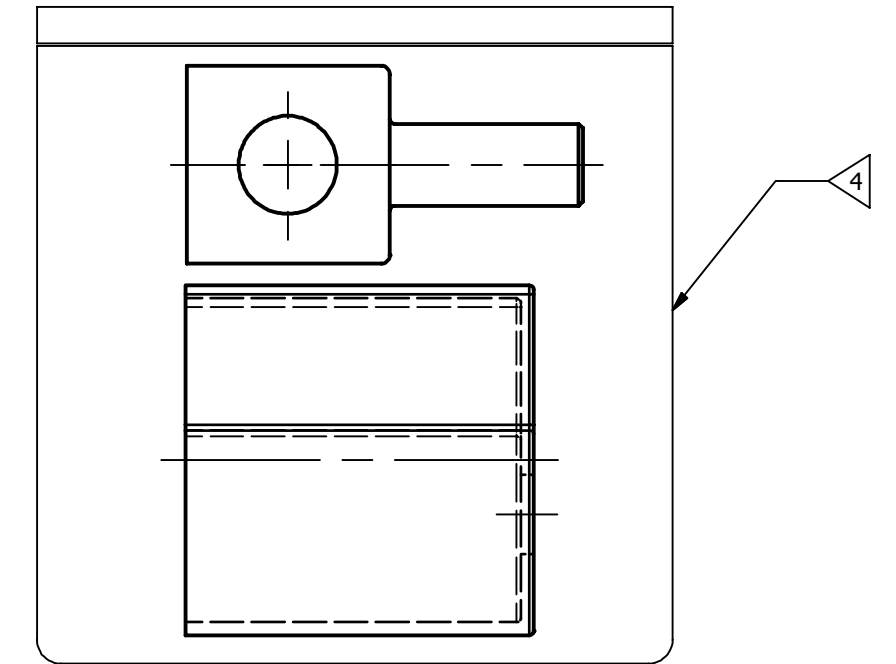
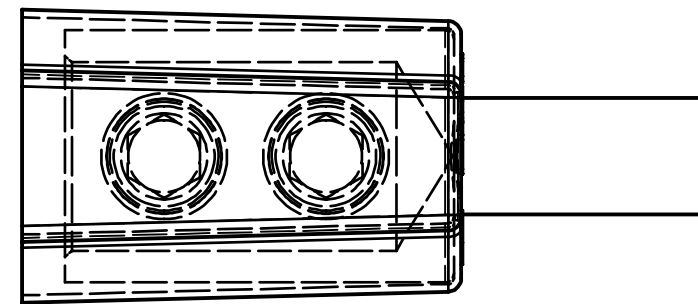


| CATALOG NUMBER | ITEM NUMBER | FIGURE | WIRE RANGE | B | LL | L | O.D. | O.D.P | PIN SIZE EQUIV. | P | TORQUE (in-lbs) | | HEX | AMP RATING |
|----------------|-------------|--------|--|--------------|--------------|---------------|--------------|--------------|-----------------|--------------|-----------------|--------|------|------------|
| | | | | | | | | | | | RANGE | TORQUE | | |
| KAP1/0 | 50076484 | 2 | #6 TO 1/0 AWG CLASS B, C H, I, K, DLO | 0.97 [25] | 1.47 [37] | 2.01 [51] | 1.00 [25] | 0.29 [7] | 2 AWG | 0.84 [21] | #6 - 1/0 | 120 | 1/4" | 170 |
| KAP350 | 50076486 | 2 | 1/0 AWG TO 350 kcmil CLASS B, C, H, I, K, DLO | 1.11 [28] | 1.71 [43] | 2.75 [70] | 1.38 [35] | 0.57 [14] | 250 kcmil | 1.34 [34] | 1/0 - 350 | 450 | 3/8" | 350 |
| KAP750 | 50076488 | 1 | 350 kcmil TO 750 kcmil CLASS B, C, H, I, K, DLO | 2.30 [58] | 3.05 [77] | 4.46 [113] | 1.75 [44] | 0.81 [21] | 500 kcmil | 1.76 [45] | 350-750 | 500 | 1/2" | 535 |

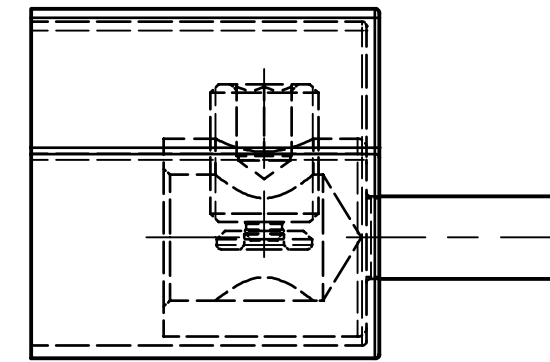
| REV | DATE | DESCRIPTION | ECO | BY | CHK. |
|-----|------------|-----------------------|--------------|----|------|
| F | 11/04/2021 | UPDATED AS PER MARKUP | 211102014000 | JL | AS |



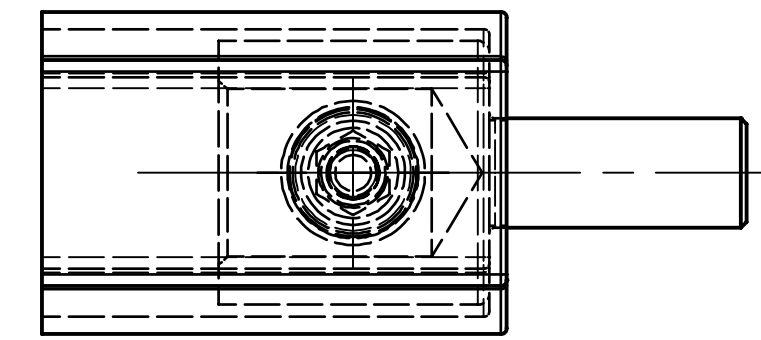
SIDE VIEW



VIEW AFTER INSTALLATION



SIDE VIEW



VIEW AFTER INSTALLATION

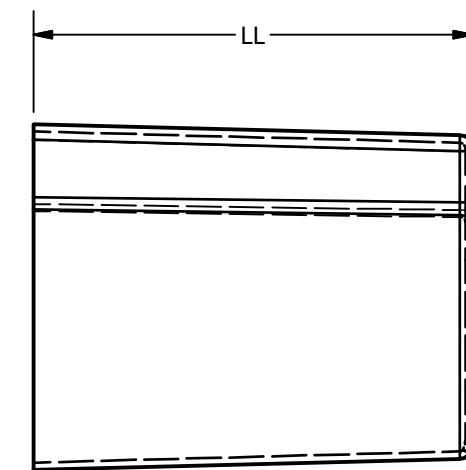
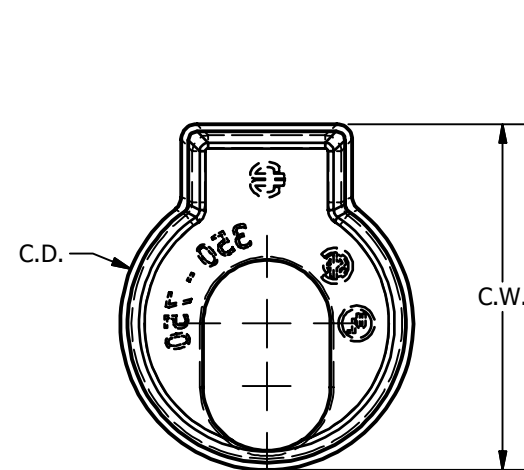
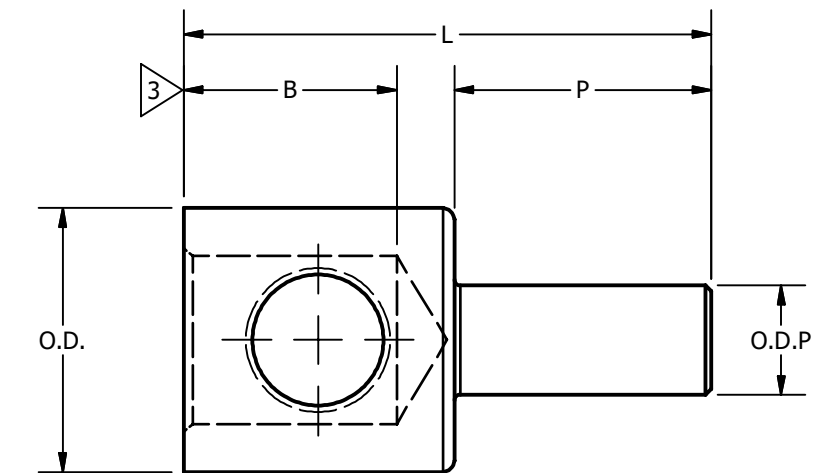
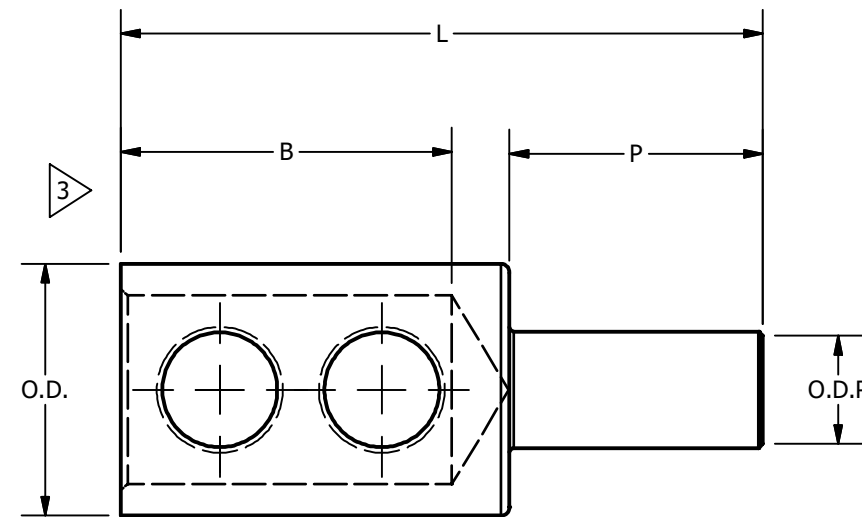


FIGURE 1

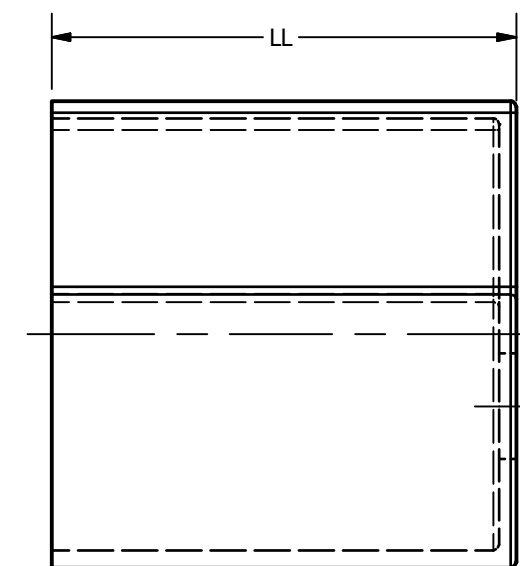
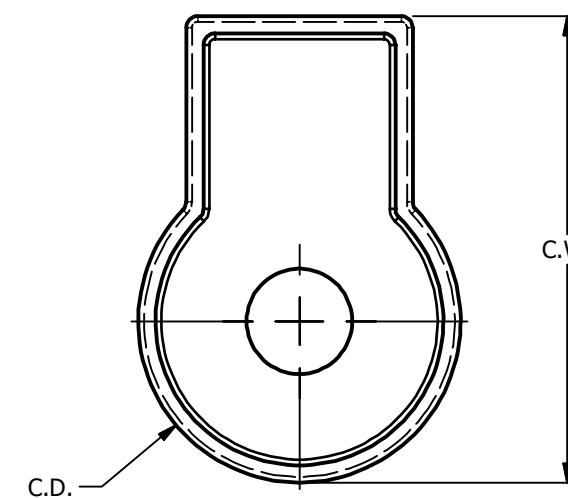


FIGURE 2

NOTES:

- MATERIAL: CONNECTOR - ALUMINUM
INSULATION COVER - POLYPROPELENE 6839
- FINISH: TIN PLATED (CONNECTOR ONLY).
- CONDUCTOR INSERTION LENGTH MINIMUM.
- PACKAGED IN CLEAR POLYBAG.
- DIMENSIONS IN BRACKETS [] ARE IN MILLIMETERS ROUNDED OFF TO THE NEAREST MILLIMETER, UNLESS OTHERWISE SPECIFIED AND ARE FOR REFERENCE ONLY.
- VOLTAGE RATING - 600 V.
- AMPERAGE RATING - VALUES BASED ON NFPA 70, TABLE 310.15(B)(16). VALUES MAY VARY BASED ON AMBIENT CONDITIONS AND CONDUCTOR PROPERTIES.

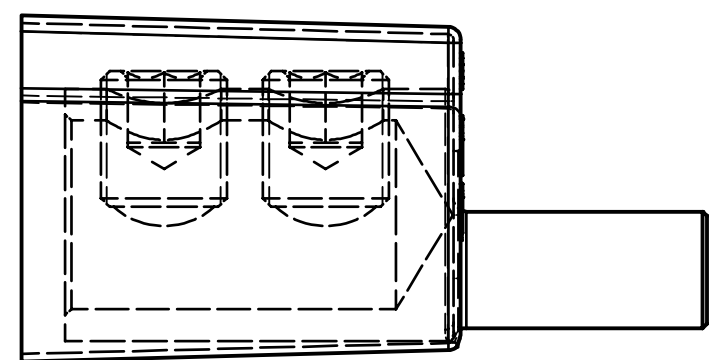
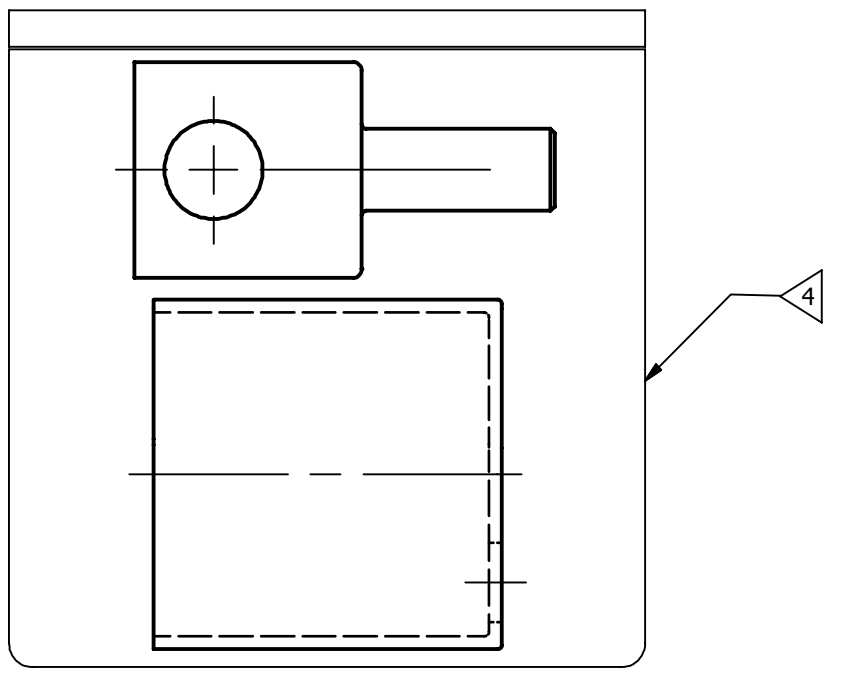
LISTED TO 486A-B, FILE E60155

CERTIFIED TO C22.2, NO. 65, FILE 042860_C_000

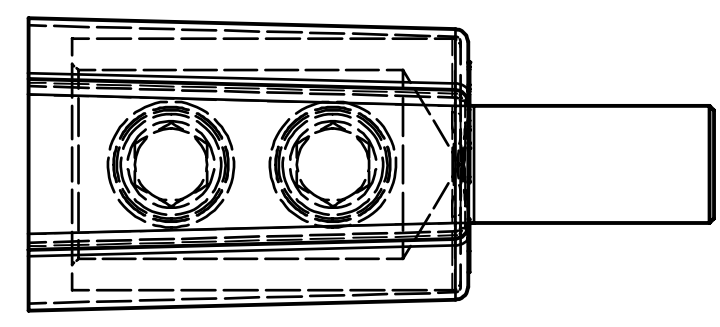
| | | | |
|---|--|---------------------------------|--|
| TO ORDER BURNDY® PRODUCTS CALL | | MECHANICAL EQUIPMENT CONNECTOR | |
| UNITED STATES 1-800-346-4175 (LONDONDERRY, NH) | | ITEM NO: SEE TABLE | |
| CANADA: 1-800-387-6487 (ALL OTHER PROVINCES) | | CAT. NO: SEE TABLE | |
| FOR PRODUCT INFO: http://www.burndy.com | | DRAWN BY: G.JEBARUBAN 1/27/2017 | |
| | | CHECKER: B.MANIKANDAN 1/27/2017 | |
| | | DSN APRV: T.REYNOLDS 1/26/2017 | |
| | | MFG APRV: -- 2/4/2017 | |
| | | MKT APRV: T.WATTS 1/22/2017 | |
| | | MKT APRV: M.BAILLY 1/27/2017 | |
| | | PROJ FAM: -- | |
| | | PROJECT #: NPD-01631 | |
| | | DOCUMENT TYPE: SALES | |
| | | REL LEVEL: Released | |
| | | DRAWING NO | |
| | | 50076514 | |
| | | REV | |
| | | F | |
| | | SHEET 1 OF 2 | |

| CATALOG NUMBER | ITEM NUMBER | FIGURE | WIRE RANGE | B | LL | L | O.D. | O.D.P. | PIN SIZE EQUIV. | P | TORQUE (in-lbs) | | HEX | AMP RATING |
|----------------|-------------|--------|---|-----------|-----------|------------|-----------|-----------|-----------------|-----------|-----------------|--------|------|------------|
| | | | | | | | | | | | RANGE | TORQUE | | |
| KAPO1/0 | 50076502 | 2 | #6 TO 1/0 AWG CLASS B, C, H, I, K, DLO | 0.97 [25] | 1.47 [37] | 2.01 [51] | 1.00 [25] | 0.29 [7] | 2 AWG | 0.84 [21] | #6 - 1/0 | 120 | 1/4" | 170 |
| KAPO350 | 50076504 | 2 | 1/0 AWG TO 350 kcmil CLASS B, C, H, I, K, DLO | 1.11 [28] | 1.71 [43] | 2.75 [70] | 1.38 [35] | 0.57 [14] | 250 kcmil | 1.34 [34] | 1/0 - 350 | 450 | 3/8" | 350 |
| KAPO750 | 50076506 | 1 | 350 kcmil TO 750 kcmil CLASS B, C, H, I, K, DLO | 2.30 [58] | 3.05 [77] | 4.46 [113] | 1.75 [44] | 0.81 [21] | 500 kcmil | 1.76 [45] | 350-750 | 500 | 1/2" | 535 |

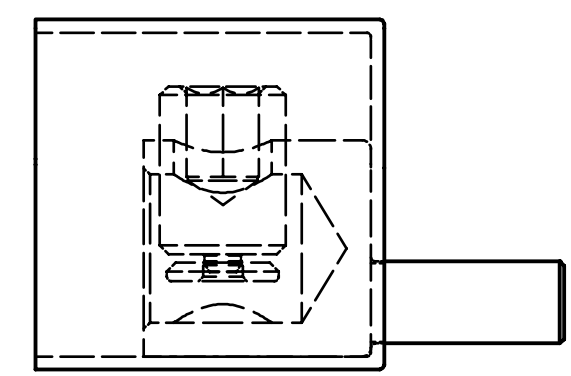
| REV | DATE | DESCRIPTION | ECO | BY | CHK. |
|-----|------------|-----------------------|--------------|----|------|
| F | 11/04/2021 | UPDATED AS PER MARKUP | 211102014000 | JL | AS |



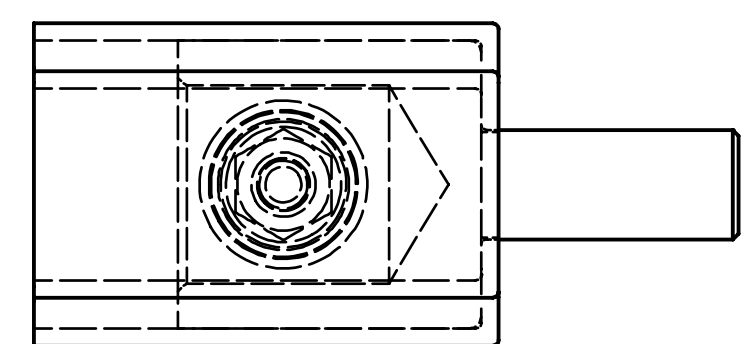
SIDE VIEW



VIEW AFTER INSTALLATION



SIDE VIEW



VIEW AFTER INSTALLATION

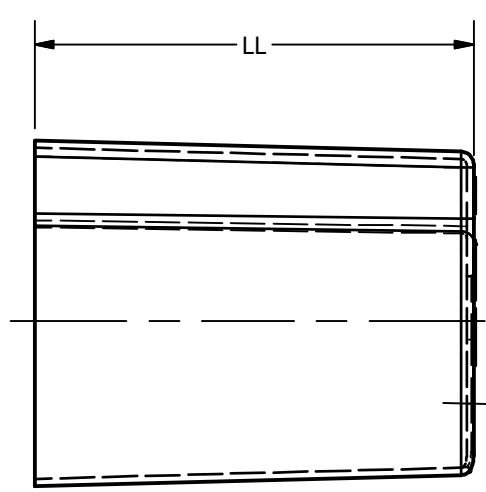
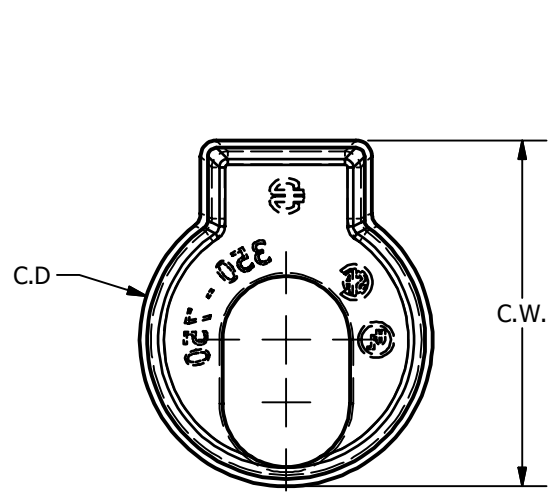
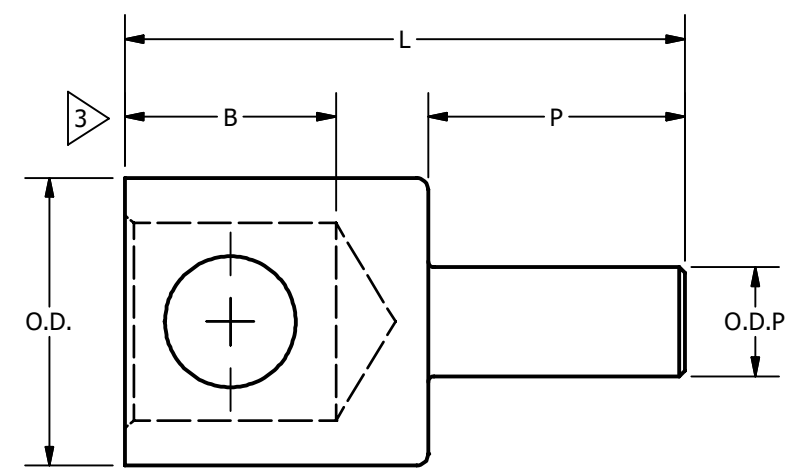
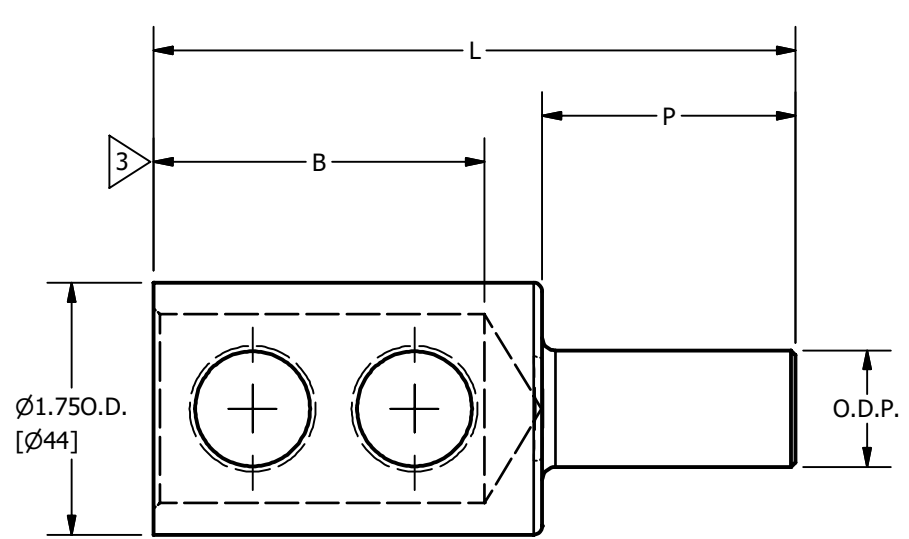


FIGURE 1

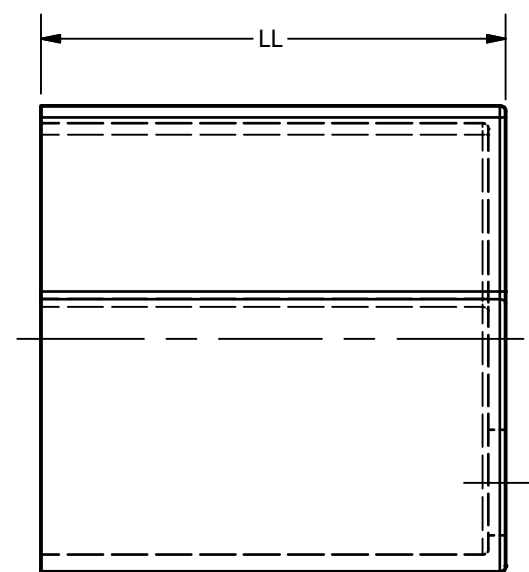
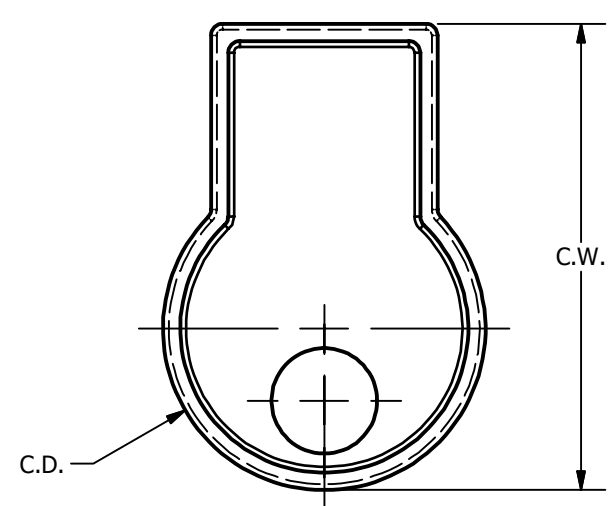


FIGURE 2

- LISTED TO 486A-B, FILE E60155
- CERTIFIED TO C22.2, NO. 65, FILE 042860_C_000

NOTES:
1. REFER SHEET 1 FOR NOTES.

| | | | |
|---|--|---------------------------------|--|
| TO ORDER BURNDY® PRODUCTS CALL | | MECHANICAL EQUIPMENT CONNECTOR | |
| UNITED STATES 1-800-346-4175 (LONDONDERRY, NH) | | ITEM NO: SEE TABLE | |
| CANADA: 1-800-361-6975 (QUEBEC) 1-800-387-6487 (ALL OTHER PROVINCES) | | CAT. NO: SEE TABLE | |
| FOR PRODUCT INFO: http://www.burndy.com | | DRAWN BY: G.JEBARUBAN 1/27/2017 | |
| | | CHECKER: B.MANIKANDAN 1/27/2017 | |
| | | DSN APRV: T.REYNOLDS 1/26/2017 | |
| | | MFG APRV: -- 2/4/2017 | |
| | | CIV APRV: T.WATTS 1/27/2017 | |
| | | MKT APRV: M.BAILLY 1/27/2017 | |
| | | PROJ FAM: -- | |
| | | PROJECT #: NPD-01631 | |
| | | DOCUMENT TYPE: SALES | |
| | | REL LEVEL: Released | |
| | | DRAWING NO: 50076514 | |
| | | SIZE: C | |
| | | SHEET 2 OF 2 | |
| | | REV: F | |