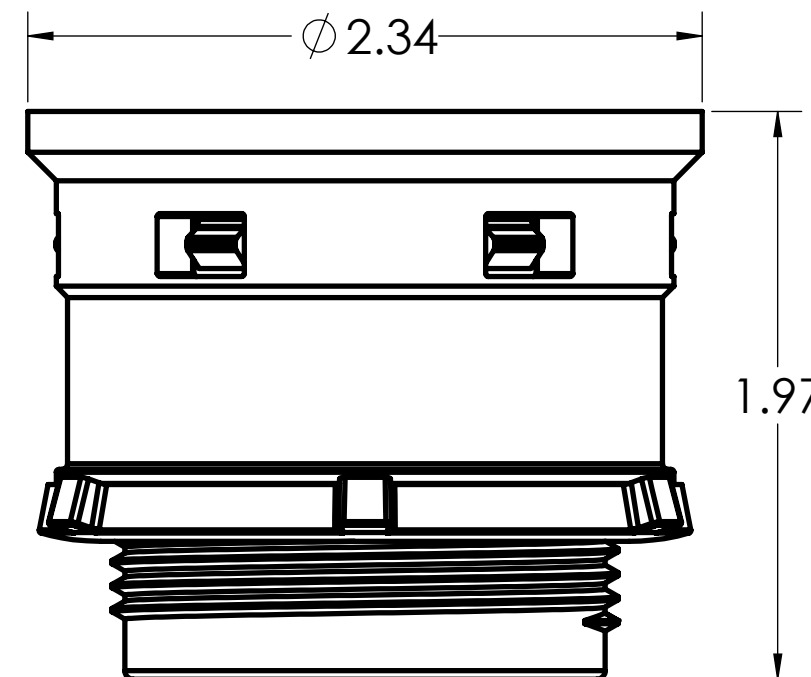
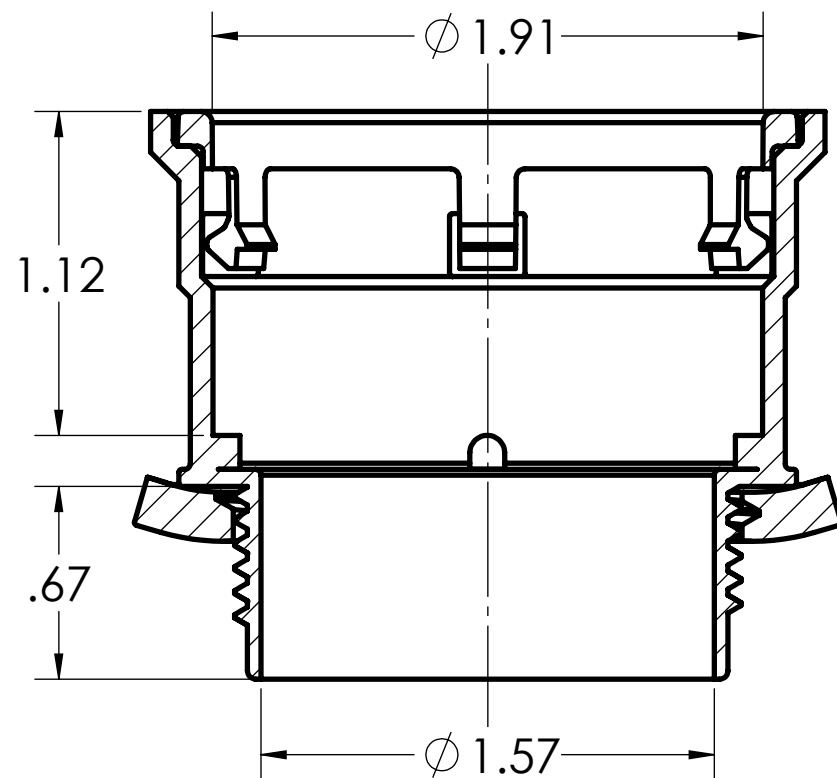
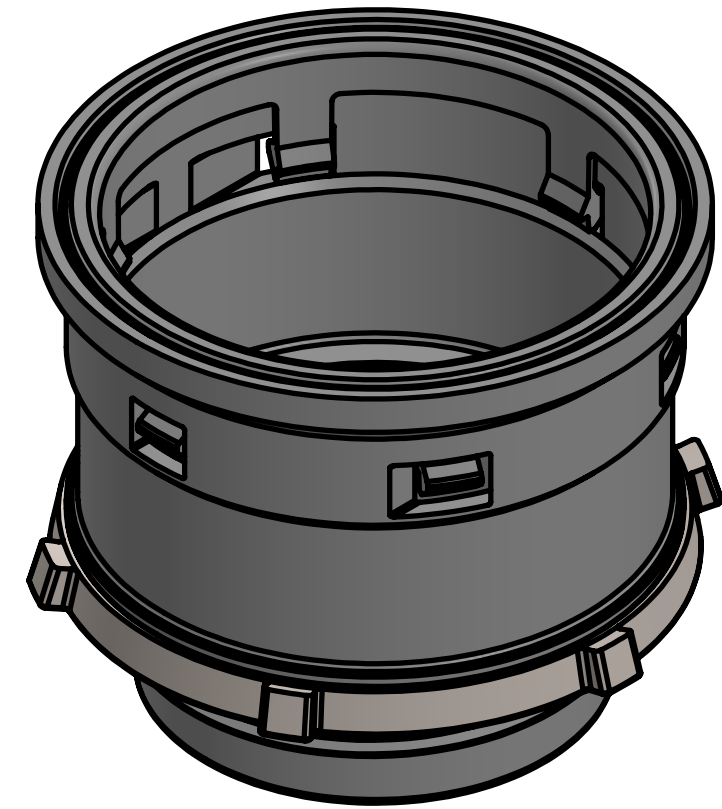
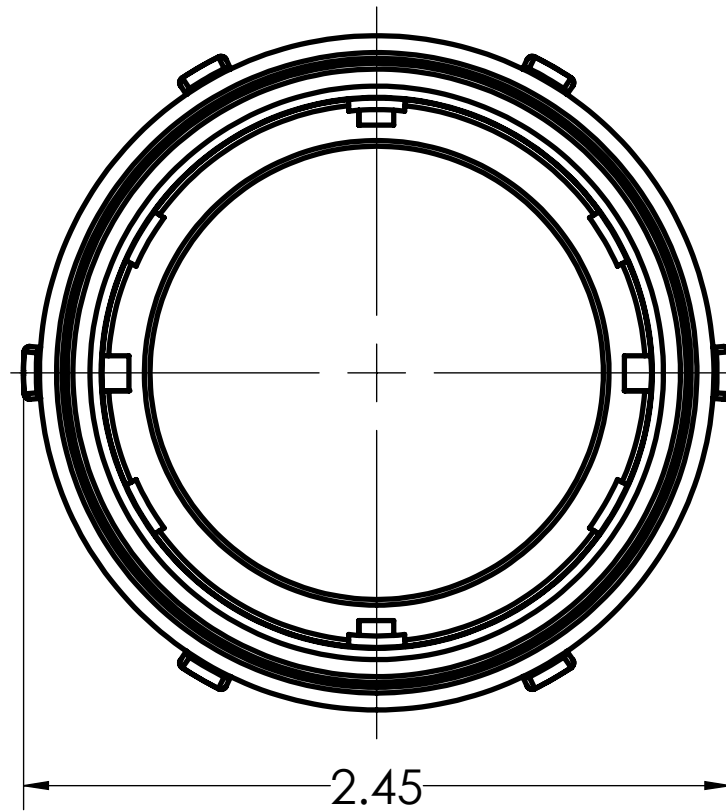


DIMENSIONS SHOWN ARE FOR REFERENCE AND ARE SUBJECT TO CHANGE WITHOUT NOTICE		
IPEX Technologies Inc.		
PART DESCRIPTION KTA30 1 1/2" PVC CONNECTOR LOCKNUT GREY KWIKON		
PRODUCT CODE: 189681	UNIT: INCHES UNLESS DUAL DIMENSION: INCH [METRIC]	SCALE: NTS
DRAWN:	J.C.	



DIMENSIONS SHOWN ARE FOR REFERENCE AND ARE SUBJECT TO CHANGE WITHOUT NOTICE		
IPEX Technologies Inc.		
PART DESCRIPTION KTA30 1 1/2" PVC CONNECTOR LOCKNUT GREY KWIKON		
PRODUCT CODE: 189681	UNIT: INCHES UNLESS DUAL DIMENSION: INCH [METRIC]	SCALE: NTS
DRAWN:	J.C.	