



KTEB-213-UV-RS-DW-KIT

COMPACT FLUORESCENT ELECTRONIC BALLAST

DESCRIPTION

CFL KIT | (1) or (2) 13W CFL | 120-277 Multi-Voltage | High Power Factor | Rapid Start | Dual Wire Case



STARTING METHOD: Rapid Start

LAMP CONNECTION: Series

INPUT VOLTAGE: 120-277VAC $\pm 10\%$

INPUT FREQUENCY: 50/60 Hz

POWER FACTOR: High

WARRANTY: 5 Years



PRODUCT FEATURES

- Sound Rated: A
- Minimum Starting Temperature: 0°F, -18°C
- Maximum Case Temperature: 75°C, 167°F
- Meets FCC Part 18 (Class B) Consumer Limits
- Transient Protection Meets ANSI/IEEE C62.41 Cat. A
- Ballast Frequency for All Listed Lamps: 20KHz-33KHz
- Lamp End-of-Life Protected
- Class P, Type 1 Outdoor

ELECTRICAL SPECIFICATIONS

LAMP TYPE	NO. OF LAMPS	INPUT VOLTS	INPUT WATTS	INPUT CURRENT (AMPS)	POWER FACTOR	CREST FACTOR	BALLAST FACTOR	BALLAST EFFICACY FACTOR	MAX THD	WIRING DIAGRAM
CFQ13W/G24q	2	120	30.0	0.250	0.99	1.48	1.00	3.33	10	P2-2
		277	30.0	0.110	0.98	1.48	1.00	3.33	10	P2-2
	1	120	18.5	0.155	0.98	1.58	1.20	6.49	12	P1-2
		277	18.5	0.075	0.96	1.58	1.20	6.49	12	P1-2
CFTR13W/GX24q	2	120	30.0	0.250	0.99	1.48	1.00	3.33	10	P2-2
		277	30.0	0.110	0.98	1.48	1.00	3.33	10	P2-2
	1	120	18.5	0.155	0.98	1.58	1.20	6.49	12	P1-2
		277	18.5	0.075	0.96	1.58	1.20	6.49	12	P1-2
CFQ18W/G24q	1	120	20.0	0.165	0.99	1.57	1.00	5.00	12	P1-2
		277	20.0	0.075	0.97	1.57	1.00	5.00	12	P1-2
CFTR18W/GX24q	1	120	20.0	0.165	0.99	1.57	1.00	5.00	12	P1-2
		277	20.0	0.075	0.97	1.57	1.00	5.00	12	P1-2
F14T5	2	120	31.0	0.260	0.99	1.42	1.00	3.22	10	F2-1
		277	31.0	0.120	0.98	1.42	1.00	3.22	10	F2-1
F13T5	2	120	30.0	0.250	0.99	1.43	1.00	3.33	10	F2-1
		277	30.0	0.110	0.98	1.43	1.00	3.33	10	F2-1

PHYSICAL SPECIFICATIONS

CASE DIMENSIONS

	LENGTH	5.00"
	WIDTH	2.40"
	HEIGHT	1.00"
	MOUNTING	4.63"
	CASE STYLE	W1

STANDARD LEAD LENGTHS*

BLACK:	10"
WHITE:	10"
BLUE	10"
RED	10"
YELLOW	10"

Lead wires are 18 AWG 105 C/600V, solid copper.

CASE MATERIAL: Steel

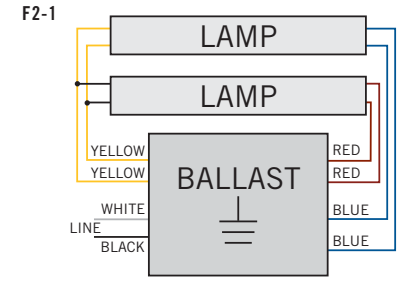
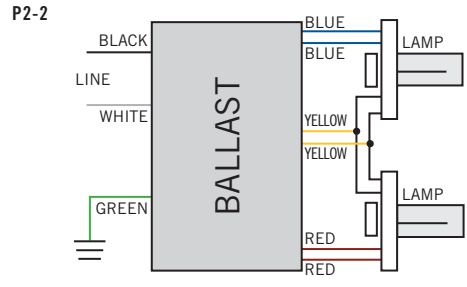
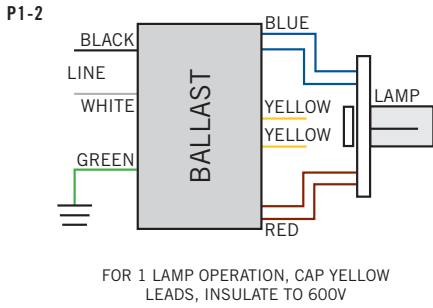
*Consult Keystone for special lead length requirements.



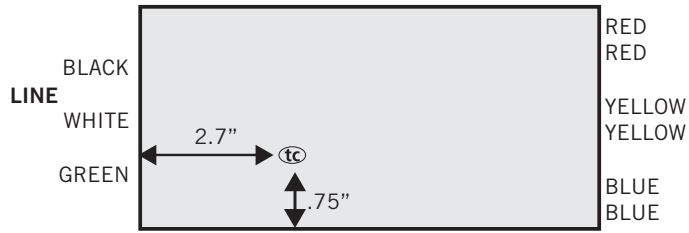
KTEB-213-UV-RS-DW-KIT

COMPACT FLUORESCENT ELECTRONIC BALLAST

WIRING DIAGRAMS



HOT SPOT LOCATION



ORDERING INFORMATION

ORDER CODE	PACKAGING STYLE	PACK QTY.	ITEM STATUS
KTEB-213-UV-RS-DW-KIT	Individual Ballast Kit	1	Quick Ship

CATALOG NUMBER BREAKDOWN

KTEB-213-UV-RS-DW-KIT

Keystone Technologies Electronic Ballast	2 Lamp	Wattage	Universal Voltage	Rapid Start	Dual Wire Connectors	Includes Mounting Bracket, Wire Leads, and Hardware
---	-----------	---------	----------------------	----------------	-------------------------	--