

L34 Ultra-Economy, Linear High Bay



PROJECT:

DATE:

TYPE:

PREPARED BY:



Ultra-economy, linear high bay with adjustable fold-up wings



0-10V



50,000
HOURS



EASY
INSTALL



DAMP
RATED

KEY FEATURES

Ultra-economy, light weight, with innovative fold-up design

Includes paracords that can lock lens in 5 different angles for adjustable light output

Available in **100W (12,000lm)** & **160W (20,000lm)**

TECHNICAL SPECIFICATIONS

ELECTRICAL

Drivers:

Constant Current, Class 2, Class P, 120-277V, 50/60 Hz,
100W: 120V: 0.92A, 208V: 0.53A, 240V: 0.46A, 277V: 0.40A
160W: 120V: 1.50A, 208V: 0.87A, 240V: 0.75A, 277V: 0.65A

Dimming Driver:

Driver includes dimming control wiring for 0-10V dimming systems. Requires separate 0-10V DC dimming circuit. Dims down to 10%

THD:

100W : 6.48% at 120V, 8.9% at 277V
160W : 6.55% at 120V, 13.3% at 277V

Power Factor:

100W : 99.7% at 120V, 97.2% at 277V
160W : 99.8% at 120V, 94.2% at 277V

Surge Protection

2.5kV

LED CHARACTERISTICS

LEDs

Long-life, high-efficacy, discrete, surface-mount LEDs

Color Consistency

7-step MacAdam Ellipse binning to achieve consistent fixture-to-fixture color

Color Uniformity

RAB's range of Correlated Color Temperature follows the guidelines of the American National Standard for Specifications for the Chromaticity of Solid State Lighting (SSL) Products, ANSI C78.377-2017.

COMPLIANCE

UL Listed

Suitable for damp locations

DLC Listed

This product is on the Design Lights Consortium (DLC) Qualified Products List and is eligible for rebates from DLC Member Utilities. Designed to meet DLC 5.1 requirements.

DLC Product Code: PTF2Z278V (100W)

DLC Product Code: PVWC2J26 (160W)

CONSTRUCTION

Cold Weather Starting

The minimum starting temperature is -20°C (-4°F)

Maximum Ambient Temperature

Suitable for use in up to 50°C (122°F)

Mounting

V hooks and optional pendant mounting (pendent by others)

Housing

Polycarbonate and ABS (PC/ABS)

Green Technology

Mercury and UV free. RoHS-compliant components

Finish

Formulated for high durability and long lasting color

PERFORMANCE

Lifespan

50,000-Hour LED lifespan based on IES LM-80 results and TM-21 calculations

Tilt Angle

100W:

0° - 100.5W; 13534 lumens
15° - 100.4W; 13601 lumens
27° - 100.3W; 13630 lumens
39° - 100.4W; 13646 lumens
50° - 100.2W; 13617 lumens

160W:

0° - 158.6W; 20996 lumens
15° - 158W; 20754 lumens
27° - 158.4W; 20977 lumens
39° - 156.6W; 20946 lumens
50° - 159.1W; 21077 lumens

L34 Ultra-Economy, Linear High Bay

TECHNICAL SPECIFICATIONS

OTHER

Warranty

The RAB 5-year, limited warranty covers light output, driver performance and paint finish. RAB's warranty is subject to all terms and conditions found at rablighting.com/warranty.

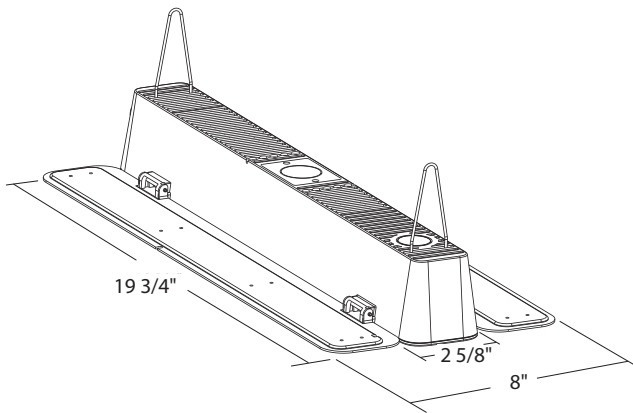
Buy American Act Compliance:

RAB values USA manufacturing! Upon request, RAB may be able to manufacture this product to be compliant with the BUY American Act (BAA). Please contact customer service to request a quote for the product to be made BAA compliant.

DIMENSIONS

L34 100W - Weight: 4.8 lbs

L34 160W - Weight: 6 lbs



PERFORMANCE

L34 100W	5000K
LUMENS	13,534
INPUT WATTS	100.5
LM/W	134
CRI	85

L34 160W	5000K
LUMENS	20,996
INPUT WATTS	158.6
LM/W	132
CRI	86

ORDERING MATRIX

L34

Family	Wattage	
L34	-	
		110 = 100W
		180 = 160W

L34 Ultra-Economy, Linear High Bay



PROJECT:

DATE:

TYPE:

PREPARED BY:



Ultra-economy, linear high bay with adjustable fold-up wings



0-10V



50,000
HOURS



EASY
INSTALL



DAMP
RATED

KEY FEATURES

Ultra-economy, light weight, with innovative fold-up design

Includes paracords that can lock lens in 5 different angles for adjustable light output

Available in **100W (12,000lm)** & **160W (20,000lm)**

TECHNICAL SPECIFICATIONS

ELECTRICAL

Drivers:

Constant Current, Class 2, Class P, 120-277V, 50/60 Hz,
100W: 120V: 0.92A, 208V: 0.53A, 240V: 0.46A, 277V: 0.40A
160W: 120V: 1.50A, 208V: 0.87A, 240V: 0.75A, 277V: 0.65A

Dimming Driver:

Driver includes dimming control wiring for 0-10V dimming systems. Requires separate 0-10V DC dimming circuit. Dims down to 10%

THD:

100W : 6.48% at 120V, 8.9% at 277V
160W : 6.55% at 120V, 13.3% at 277V

Power Factor:

100W : 99.7% at 120V, 97.2% at 277V
160W : 99.8% at 120V, 94.2% at 277V

Surge Protection

2.5kV

LED CHARACTERISTICS

LEDs

Long-life, high-efficacy, discrete, surface-mount LEDs

Color Consistency

7-step MacAdam Ellipse binning to achieve consistent fixture-to-fixture color

Color Uniformity

RAB's range of Correlated Color Temperature follows the guidelines of the American National Standard for Specifications for the Chromaticity of Solid State Lighting (SSL) Products, ANSI C78.377-2017.

COMPLIANCE

UL Listed

Suitable for damp locations

DLC Listed

This product is on the Design Lights Consortium (DLC) Qualified Products List and is eligible for rebates from DLC Member Utilities. Designed to meet DLC 5.1 requirements.

DLC Product Code: PTF2Z278V (100W)

DLC Product Code: PVWC2J26 (160W)

CONSTRUCTION

Cold Weather Starting

The minimum starting temperature is -20°C (-4°F)

Maximum Ambient Temperature

Suitable for use in up to 50°C (122°F)

Mounting

V hooks and optional pendant mounting (pendent by others)

Housing

Polycarbonate and ABS (PC/ABS)

Green Technology

Mercury and UV free. RoHS-compliant components

Finish

Formulated for high durability and long lasting color

PERFORMANCE

Lifespan

50,000-Hour LED lifespan based on IES LM-80 results and TM-21 calculations

Tilt Angle

100W:

0° - 100.5W; 13534 lumens
15° - 100.4W; 13601 lumens
27° - 100.3W; 13630 lumens
39° - 100.4W; 13646 lumens
50° - 100.2W; 13617 lumens

160W:

0° - 158.6W; 20996 lumens
15° - 158W; 20754 lumens
27° - 158.4W; 20977 lumens
39° - 156.6W; 20946 lumens
50° - 159.1W; 21077 lumens

L34 Ultra-Economy, Linear High Bay

TECHNICAL SPECIFICATIONS

OTHER

Warranty

The RAB 5-year, limited warranty covers light output, driver performance and paint finish. RAB's warranty is subject to all terms and conditions found at rablighting.com/warranty.

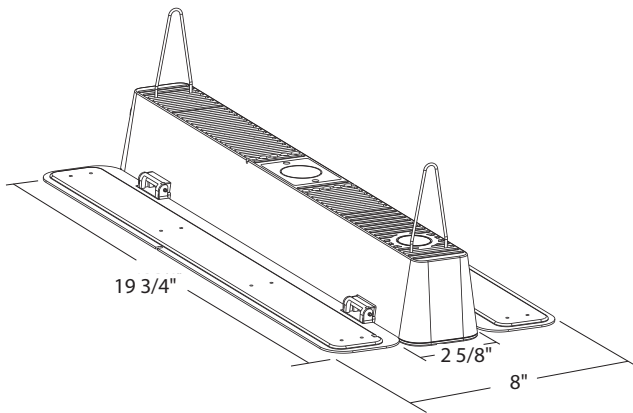
Buy American Act Compliance:

RAB values USA manufacturing! Upon request, RAB may be able to manufacture this product to be compliant with the BUY American Act (BAA). Please contact customer service to request a quote for the product to be made BAA compliant.

DIMENSIONS

L34 100W - Weight: 4.8 lbs

L34 160W - Weight: 6 lbs



PERFORMANCE

L34 100W	5000K
LUMENS	13,534
INPUT WATTS	100.5
LM/W	134
CRI	85

L34 160W	5000K
LUMENS	20,996
INPUT WATTS	158.6
LM/W	132
CRI	86

ORDERING MATRIX

L34

Family	Wattage	
L34	-	<input type="text"/>
		110 = 100W
		180 = 160W