

Standard

STANDARD MAG BALLAST (1) F20T12 PH 120V

Available for many fluorescent lamp types sold today, including Preheat, Rapid Start, 2-pin CFL, Slimline, High Output, Very High Output and Circline. Magnetic ballasts can be used in any application where these lamps are used.

Product data

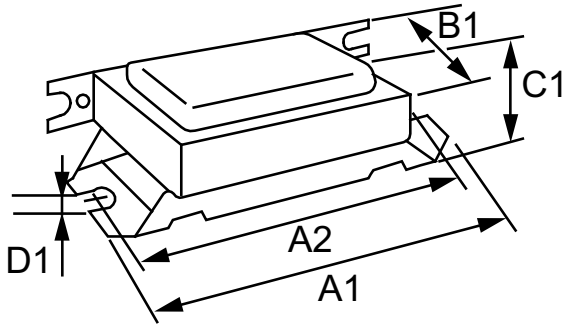
General Information		Rated Lamp Watts	
Lamp Type	F20T12		20W W
Number of Lamps	1 piece/unit		
Lamp Footage	-		
Ballast Type	Magnetic Fluorescent	Wiring	
Base Model	LC1420C	Wire Striplength	0.50/0.375 mm
Suitable For Outdoor Use	Yes	Lamp Connection	Series
Automatic Restart	Yes	Wire Length By Color	See data sheet
		Wire Gauge (Nom)	18AWG mm
		Wire Type	Solid
		Remote Wiring Configuration Allowed	Yes
		Tandem Wiring Configuration Allowed	No
		Through Wiring Configuration Allowed	No
		Max Ballast-Lamp Distance Remote Wiring	30'
		Max Ballast-Lamp Distance Tandem Wiring	-
		Max Ballast-Lamp Distance Through Wiring	-
Operating and Electrical		Mechanical and Housing	
Input Voltage	120 V	Housing Material	Metal
Input Frequency	60 Hz	Housing	C2
Max THD	10 %	Housing Dimensions	1.06" x 1.59" x 1.81"
Power (Rated) (Nom)	20 W		
Starting Method	Preheat	Approval and Application	
Lamp Current Crest Factor (Nom)	1.5	EMC Immunity Standard	FCC Non-Consumer
Ignition Time (Nom)	1 s	Sound Rating	A
Inp. Current (Open Circuit)	0		
Input Current (Starting)	0.36		
Ballast Factor (Nom)	0.93		
Power Factor (Nom)	0.52		
Input Current (Operating) (Nom)	0.33 A		
Input Power (Nom)	21 W		

Standard

UL Recognized	No
Product Data	
Order product name	STANDARD LC1420CI
EAN/UPC - Product	781087101308
Order code	LC1420CI
Local order code	196584

Numerator - Quantity Per Pack	1
Numerator - Packs per outer box	12
Material Nr. (12NC)	913710305701
Net Weight (Piece)	0.350 kg

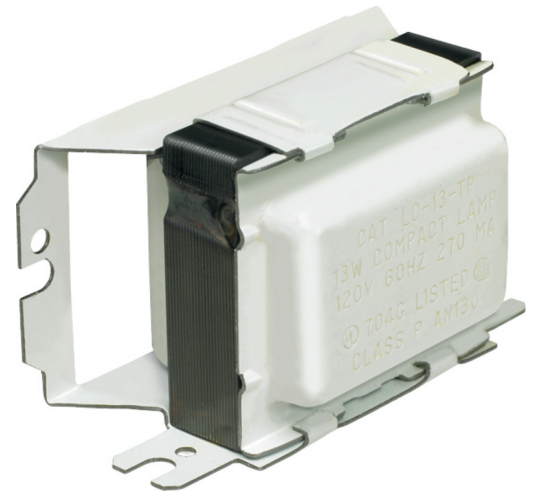
Dimensional drawing



MAG BALLAST (1) F20T12 PH 120V

Product	A1	A2	B1	C1	D1
STANDARD LC1420CI	3.06 in	2.75 in	1.81 in	1.59 in	0.19 in





Standard

STANDARD MAG BALLAST (1) F20T12 PH 120V

Available for many fluorescent lamp types sold today, including Preheat, Rapid Start, 2-pin CFL, Slimline, High Output, Very High Output and Circline. Magnetic ballasts can be used in any application where these lamps are used.

Product data

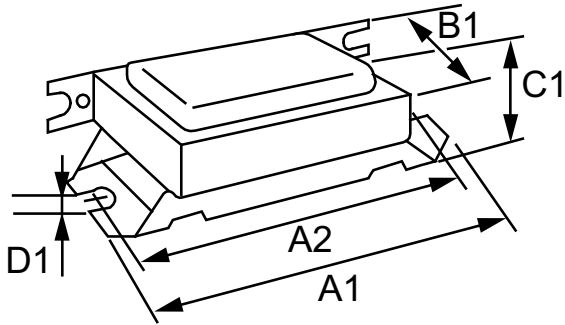
General Information		Rated Lamp Watts	
Lamp Type	F20T12		20W W
Number of Lamps	1 piece/unit		
Lamp Footage	-		
Ballast Type	Magnetic Fluorescent		
Base Model	LC1420C		
Suitable For Outdoor Use	Yes		
Automatic Restart	Yes		
Operating and Electrical		Wiring	
Input Voltage	120 V	Wire Striplength	0.50/0.375 mm
Input Frequency	60 Hz	Lamp Connection	Series
Max THD	10 %	Wire Length By Color	See data sheet
Power (Rated) (Nom)	20 W	Wire Gauge (Nom)	18AWG mm
Starting Method	Preheat	Wire Type	Solid
Lamp Current Crest Factor (Nom)	1.5	Remote Wiring Configuration Allowed	Yes
Ignition Time (Nom)	1 s	Tandem Wiring Configuration Allowed	No
Inp. Current (Open Circuit)	0	Through Wiring Configuration Allowed	No
Input Current (Starting)	0.36	Max Ballast-Lamp Distance Remote Wiring	30'
Ballast Factor (Nom)	0.93	Max Ballast-Lamp Distance Tandem Wiring	-
Power Factor (Nom)	0.52	Max Ballast-Lamp Distance Through Wiring	-
Input Current (Operating) (Nom)	0.33 A		
Input Power (Nom)	21 W		
		Mechanical and Housing	
		Housing Material	Metal
		Housing	C2
		Housing Dimensions	1.06" x 1.59" x 1.81"
		Approval and Application	
		EMC Immunity Standard	FCC Non-Consumer
		Sound Rating	A

Standard

UL Recognized	No
Product Data	
Order product name	STANDARD LC1420CI
EAN/UPC - Product	781087101308
Order code	LC1420CI
Local order code	196584

Numerator - Quantity Per Pack	1
Numerator - Packs per outer box	12
Material Nr. (12NC)	913710305701
Net Weight (Piece)	0.350 kg

Dimensional drawing



Product	A1	A2	B1	C1	D1
STANDARD LC1420CI	3.06 in	2.75 in	1.81 in	1.59 in	0.19 in

MAG BALLAST (1) F20T12 PH 120V

