

LED



createchange



FEATURES

- Two attractive architectural center lens choices
- High efficiency acrylic center lens features linear prisms for high performance without pixelation
- Appropriate for offices, schools, medical, and public spaces
- High performance reflector with matte white paint standard
- 60,000 hour LEDs at L80 (up to 150,000 projected life) for reduced maintenance
- 83 CRI standard or optional 90 CRI for color sensitive applications
- Four LED color choices
- Five lumen packages
- Multiple driver options to satisfy different applications
- LED modules and electrical accessible from below
- Optional architecturally styled integration of daylight and occupancy sensor(s)
- ControlScope® compatible
- QR code traceability
- Integral battery pack optional on most models
- Compatible with Dual-Lite inverters
- Recessed, surface or cable mount
- Air return optional
- DesignLights Consortium® (DLC) qualified
- Five year warranty (Terms and Conditions apply)

PROJECT INFORMATION

Project Name _____

Type _____

Catalog No. _____

Date _____

CONSTRUCTION

Luminaire housing, reflectors and end caps are die formed code gauge cold rolled steel. High transmission extruded acrylic enclosed lens features linear prisms with custom frost for high efficacy without pixelation.

SHIELDING

Removable lens for easy access to LED module and electrical components.

FINISH

All reflective surfaces are finished after fabrication with unique formula high reflectivity matte white paint for soft, uniform indirect illumination.

INSTALLATION

An access plate is furnished with each luminaire for fast wiring access without the necessity to open the fixture or wireway.

CEILING COMPATIBILITY

Luminaire fits recessed exposed Grid ceilings (G); four integral NEC compliant T-bar clips are standard. Can be placed in Slot Grid (SG) style ceiling with regress 3/8" above ceiling plane. Surface Mount (SM) option allows placement below ceiling plane. Cable Mount (CM) option allows suspension below ceiling plane.

CERTIFICATION

All luminaires are built to UL1598 and 2108 standards, and bear appropriate CSA labels. Damp location is standard. Emergency-equipped fixtures labeled UL 924 and Dry Location unless specified. Adheres to LM79, LM80, and TM21 industry standards. DesignLights Consortium® (DLC) qualified. Please refer to the DLC website for specific product qualifications at www.designlights.org.

IC RATING

IC label is standard for recessed products. Note that IC label is void if product is installed on site with air return fixtures.

WARRANTY

Five year warranty (Terms and Conditions apply).

ORDERING INFORMATION

EXAMPLE LCAT12-35MLG-ESDU

LCAT 12 -										
MODEL	CRI	COLOR TEMP	CEILING TYPE	AIR FUNCTION	VOLTAGE	OPTIONS				
LCAT LED Contemporary Architectural Troffer	Blank >80 9 >90	30 3000K 35 3500K 40 4000K 50 5000K	G Grid Lay-in ¹ SM Surface Mount ² CM Cable Suspended Mount ³	Blank Static A Air Return Side Slots	U 120V-277V 347 347V	ELL14 Emergency Battery Pack Installed, 1400 Lumens ^{5,6} C388 3-Wire Flex C488 4-Wire Flex C588 5-Wire Flex GLR Fast Blow Fuse NYC NYC Compliant EOR End of Row (SM and CM only. Provides end wiring access for continuous row mounting.) ² INT Intermediate (SM and CM only. Provides ends with wiring access for continuous row mounting.) ² CP Chicago Plenum ODP Occupancy and Daylight Sensors, Philips ^{6,7} ZRE ControlScope® compatible ⁸ LV Lutron Vive Enabled, 0-10V ^{9,10}				
SIZE		LUMEN OUTPUT		SHIELDING		DRIVER				
12 1'x2'		VW Very Low Watt MW Medium Low Watt LW Low Watt ML Medium Lumen HL High Lumen See Product Availability Table on following pages.		Blank Curve R Rectangular		E Fixed Output ESD Step Dimming ^{4,6} ED 0-10V Dimming ED1 0-10V 1% Dimming LUTH Hi-lume 1% EcoSystem LED driver with Soft-on, Fade-to-Black dimming technology ^{4,6} LUTHS 5-Series EcoSystem LED driver ^{4,6}				
ACCESSORIES (ORDER SEPARATELY)										
FK12 1' x 2' Single Flange Kit (Shipped separately)										
CM48Y1SC3F48 Cable Mount Kit for 1' wide Cable Mount fixtures, 3 Wire										

	VW	MW	LW	ML	HL
E	X	X	X	X	X
ED	X	X	X	X	X
ED1	X	X	X	X	X
ESD				X	X
LUTS		X	X	X	X
LUTH		X	X	X	X
347	X	X	X	X	X

¹ For drywall, order G with Flange Kit Accessory.
² Not available with Air Return (A) air function.
³ Order hanger accessories separately.
⁴ Limitations apply based on lumen packages (See Driver Table).
⁵ For compatibility with Dual-Lite LiteGear® inverters, contact Hubbell Lighting Representative.
⁶ Not available in 347V.
⁷ Only available with 0-10V Dimming (ED) Driver Option.
⁸ Registered trademark of Daintree Networks, used by permission.
⁹ Not available with ESD, LUTH or LUTS.
¹⁰ VIVE is a trademark of Lutron Electronics Co., Inc.

For questions about configuration options, contact Hubbell Representative

Product Availability 80 CRI					Product Availability 90 CRI				
Lumen Package	Shielding	Lumens	Input Watts	LPW	Lumen Package	Shielding	Lumens	Input Watts	LPW
LCAT12-30VW	Curve	1519	13	114	LCAT12-930VW	Curve	1328	14	98
LCAT12-30VWx-R	Rectangle	1555	13	116	LCAT12-930VWx-R	Rectangle	1322	13	99
LCAT12-35VW	Curve	1564	13	118	LCAT12-935VW	Curve	1356	14	100
LCAT12-35VWx-R	Rectangle	1608	13	120	LCAT12-935VWx-R	Rectangle	1350	13	101
LCAT12-40VW	Curve	1589	13	119	LCAT12-940VW	Curve	1385	14	103
LCAT12-40VWx-R	Rectangle	1633	13	122	LCAT12-940VWx-R	Rectangle	1379	13	103
LCAT12-50VW	Curve	1730	13	130	LCAT12-950VW	Curve	1476	14	109
LCAT12-50VWx-R	Rectangle	1676	13	125	LCAT12-950VWx-R	Rectangle	1469	13	110
LCAT12-30MW	Curve	1744	18	99	LCAT12-930MW	Curve	1735	18	97
LCAT12-30MWx-R	Rectangle	2023	18	114	LCAT12-930MWx-R	Rectangle	1720	18	97
LCAT12-35MW	Curve	1796	18	102	LCAT12-935MW	Curve	1773	18	100
LCAT12-35MWx-R	Rectangle	2092	18	118	LCAT12-935MWx-R	Rectangle	1756	18	99
LCAT12-40MW	Curve	1824	18	104	LCAT12-940MW	Curve	1810	18	102
LCAT12-40MWx-R	Rectangle	2125	18	119	LCAT12-940MWx-R	Rectangle	1794	18	101
LCAT12-50MW	Curve	1986	18	113	LCAT12-950MW	Curve	1928	18	108
LCAT12-50MWx-R	Rectangle	2181	18	123	LCAT12-950MWx-R	Rectangle	1911	18	107
LCAT12-30LW	Curve	2676	23	118	LCAT12-930LW	Curve	2274	23	101
LCAT12-30LWx-R	Rectangle	2651	23	117	LCAT12-930LWx-R	Rectangle	2253	23	100
LCAT12-35LW	Curve	2756	23	122	LCAT12-935LW	Curve	2328	23	103
LCAT12-35LWx-R	Rectangle	2741	23	121	LCAT12-935LWx-R	Rectangle	2301	23	102
LCAT12-40LW	Curve	2799	23	124	LCAT12-940LW	Curve	2381	23	105
LCAT12-40LWx-R	Rectangle	2784	23	123	LCAT12-940LWx-R	Rectangle	2351	23	104
LCAT12-50LW	Curve	3047	23	135	LCAT12-950LW	Curve	2515	23	111
LCAT12-50LWx-R	Rectangle	2858	23	126	LCAT12-950LWx-R	Rectangle	2504	23	111
LCAT12-30ML	Curve	3331	29	116	LCAT12-930ML	Curve	2831	29	98
LCAT12-30MLx-R	Rectangle	3302	29	115	LCAT12-930MLx-R	Rectangle	2808	29	98
LCAT12-35ML	Curve	3431	29	119	LCAT12-935ML	Curve	2898	29	101
LCAT12-35MLx-R	Rectangle	3414	29	119	LCAT12-935MLx-R	Rectangle	2867	29	100
LCAT12-40ML	Curve	3484	29	121	LCAT12-940ML	Curve	2964	29	103
LCAT12-40MLx-R	Rectangle	3468	29	120	LCAT12-940MLx-R	Rectangle	2929	29	102
LCAT12-50ML	Curve	3794	29	132	LCAT12-950ML	Curve	3131	29	109
LCAT12-50MLx-R	Rectangle	3560	29	124	LCAT12-950MLx-R	Rectangle	3120	29	108
LCAT12-30HL	Curve	3584	32	113	LCAT12-930HL	Curve	3047	32	96
LCAT12-30HLx-R	Rectangle	3361	32	106	LCAT12-930HLx-R	Rectangle	2858	32	90
LCAT12-35HL	Curve	3692	32	117	LCAT12-935HL	Curve	3118	32	99
LCAT12-35HLx-R	Rectangle	3475	32	110	LCAT12-935HLx-R	Rectangle	2918	32	92
LCAT12-40HL	Curve	3749	32	119	LCAT12-940HL	Curve	3190	32	101
LCAT12-40HLx-R	Rectangle	3529	32	112	LCAT12-940HLx-R	Rectangle	2981	32	94
LCAT12-50HL	Curve	4083	32	129	LCAT12-950HL	Curve	3369	32	107
LCAT12-50HLx-R	Rectangle	3624	32	115	LCAT12-950HLx-R	Rectangle	3175	32	100

PHOTOMETRIC DATA

Test 16456 Test Date 7/25/2016

LUMINAIRE DATA

Luminaire	LCAT12-35LWG-EU LCAT Led Architectural Troffer, Recessed Architectural 1 x 2 led with Opal Prism Lens
Ballast	XI040C11CV054BST1
Ballast Factor	1.00
Lamp	LED
Fixture Lumens	2756
Watts	22.60
Mounting	Recessed
Shielding Angle	0° = 90 90° = 90
Spacing Criterion	0° = 1.19 90° = 1.30
Luminous Opening in Feet	Length: 1.92 Width: 1.92 Height: 0.00

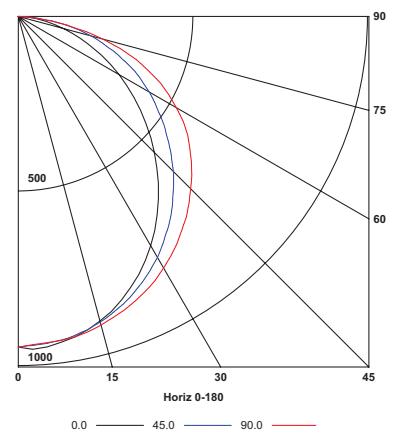
ZONAL LUMEN SUMMARY

Zone	Lumens	% Lamp	% Fixt.
0-30	733	26.6	26.6
0-40	1199	43.5	43.5
0-60	2128	77.2	77.2
0-90	2756	100.0	100.0
0-180	2756	100.0	100.0

ENERGY DATA

Total Luminaire Efficiency	100.0%
Total Lumens per Watt	122
IESNA RP-1-2004 Compliance	Non-Compliant
Comparative Yearly Lighting Energy Cost per 1000 Lumens	\$2.00 based on 3000 hrs. and \$0.08 per KWH

INDOOR CANDELA PLOT



LUMINAIRE DATA

Luminaire	LCAT12-35MLG-EU LCAT Led Architectural Troffer, Recessed Architectural 1 x 4 led with frosted linear prism lens
Ballast	XI040C11CV054BST1
Ballast Factor	1.00
Lamp	LED
Fixture Lumens	3431
Watts	28.80
Mounting	Recessed
Shielding Angle	0° = 90 90° = 90
Spacing Criterion	0° = 1.19 90° = 1.29
Luminous Opening in Feet	Length: 1.92 Width: 0.92 Height: 0.00

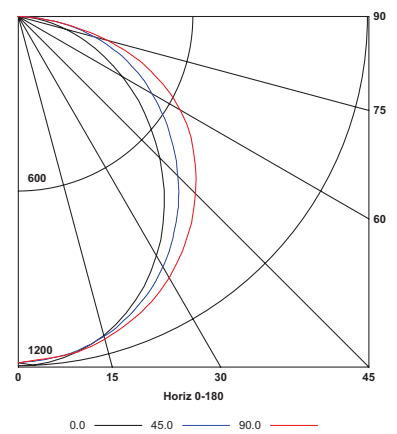
ZONAL LUMEN SUMMARY

Zone	Lumens	% Lamp	% Fixt.
0-30	918	26.8	26.8
0-40	1497	43.6	43.6
0-60	2643	77.0	77.0
0-90	3431	100.0	100.0
0-180	3431	100.0	100.0

ENERGY DATA

Total Luminaire Efficiency	100.0%
Total Lumens per Watt	119
IESNA RP-1-2004 Compliance	Non-Compliant
Comparative Yearly Lighting Energy Cost per 1000 Lumens	\$2.03 based on 3000 hrs. and \$0.08 per KWH

INDOOR CANDELA PLOT



LUMINAIRE DATA

Luminaire	LCAT12-35HLG-EU LCAT Led Architectural Troffer, Recessed Architectural 1 x 2 led with frosted linear prism lens
Ballast	XI040C11CV054BST1
Ballast Factor	1.00
Lamp	LED
Fixture Lumens	3692
Watts	31.60
Mounting	Recessed
Shielding Angle	0° = 90 90° = 90
Spacing Criterion	0° = 1.19 90° = 1.31
Luminous Opening in Feet	Length: 1.92 Width: 0.92 Height: 0.00

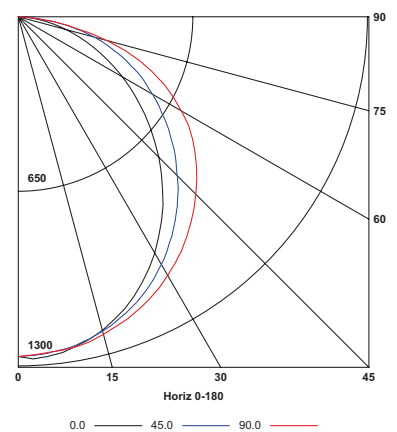
ZONAL LUMEN SUMMARY

Zone	Lumens	% Lamp	% Fixt.
0-30	980	26.6	26.6
0-40	1603	43.4	43.4
0-60	2846	77.1	77.1
0-90	3692	100.0	100.0
0-180	3692	100.0	100.0

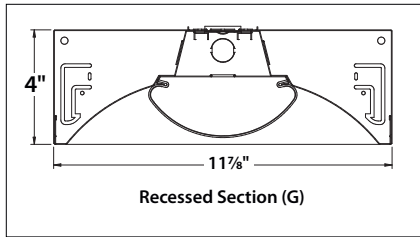
ENERGY DATA

Total Luminaire Efficiency	100.0%
Total Lumens per Watt	117
ANSI/IESNA RP-1-2004 COMPLIANCE:	Non-Compliant
Comparative Yearly Lighting Energy Cost per 1000 Lumens	\$2.09 based on 3000 hrs. and \$0.08 per KWH

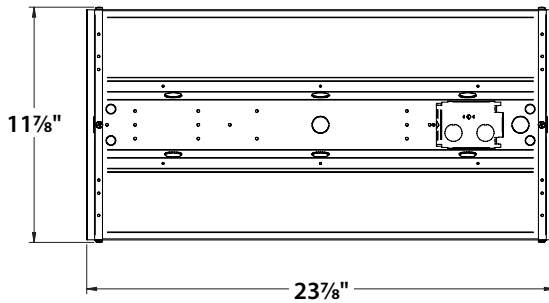
INDOOR CANDELA PLOT



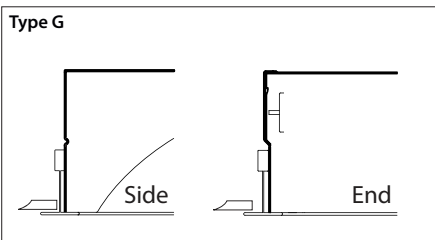
DIMENSIONAL DATA — GRID



Top View

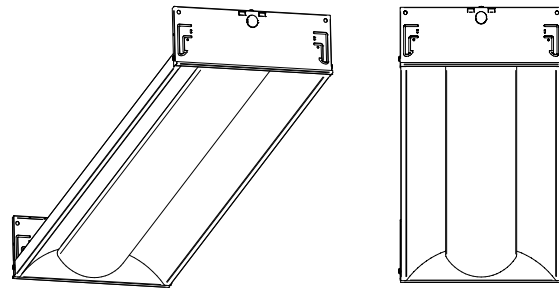


CEILING COMPATIBILITY

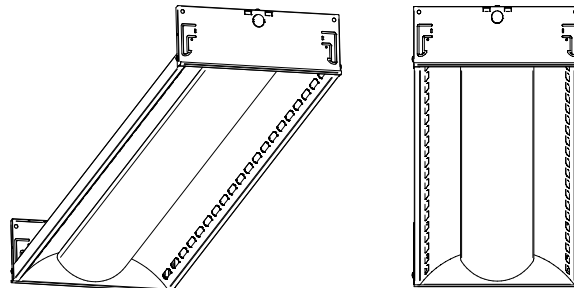


For lay-in installation in exposed grid ceilings. Maximum tee widths of 1" and maximum tee heights of 2" allowed.

GRID, STATIC

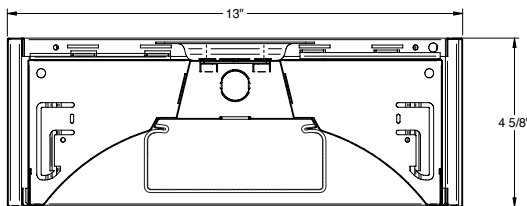


GRID, AIR RETURN



DIMENSIONAL DATA — SURFACE MOUNT OR CABLE MOUNT, STATIC ONLY

Surface Section (SM) – Image shown with rectangular lens



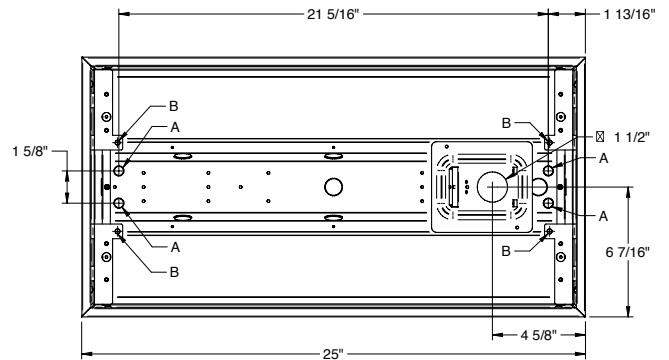
Surface Mount:

Order SM ceiling type. Mounting collar required for surface mounting. (4) Mounting knock-outs, 3/8", provided in center channel as indicated at left, marked A.

Cable Mount:

Order CM ceiling type. Use CM48Y1SC3F48 KIT 48" Cable Mount Kit for 2" wide SM trim fixtures. Mounting holes are provided in diagonal straps shown at left, marked B.

Back of Housing, Surface Mount (SM) and Cable Mount (CM)



* For Cable Mount a 2" x 3" access plate with (4) 7/8" KOs provided in place of Mounting Collar shown.

NOTE: All dimensions are in inches; dimensions and specifications are subject to change without notice. Please consult factory or check sample for verification.