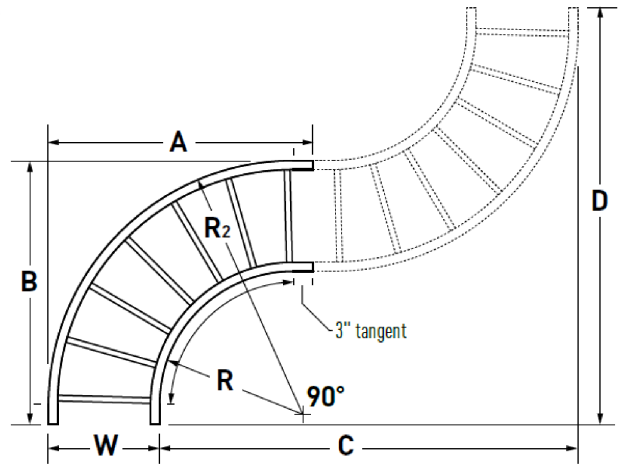
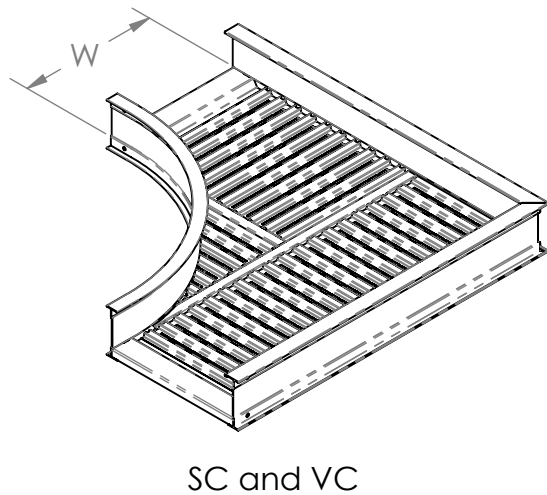
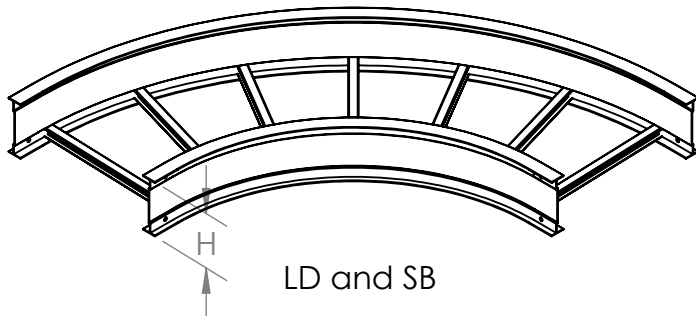


## 90HB Horizontal 90° Elbow

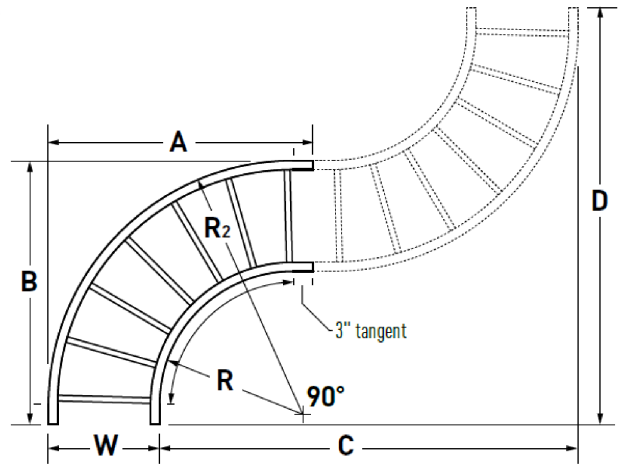
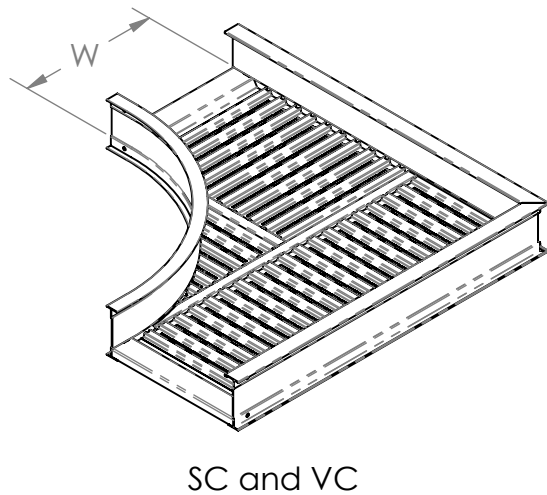
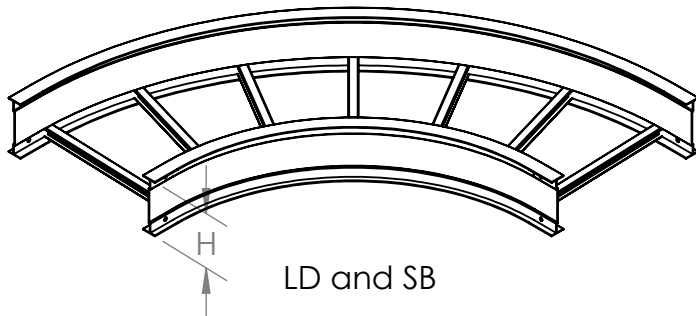


Radius R	Width W	Radius 2 R2	A	B	C	D
12	6	18	21	21	36	36
	9	21	24	24	39	39
	12	24	27	27	42	42
	18	30	33	33	48	48
	24	36	39	39	54	54
	30	42	45	45	60	60
	36	48	51	51	66	66
24	6	30	33	33	60	60
	9	33	36	36	63	63
	12	36	39	39	66	66
	18	42	45	45	72	72
	24	48	51	51	78	78
	30	54	57	57	84	84
	36	60	63	63	90	90
36	6	42	45	45	84	84
	9	45	48	48	87	87
	12	48	51	51	90	90
	18	54	57	57	96	96
	24	60	63	63	102	102
	30	66	69	69	108	108
	36	72	75	75	114	114

ITRAY HORIZONTAL ELBOW CATALOG NUMBERING EXAMPLE:						
BOTTOM TYPE	RAIL HEIGHT	MATERIAL	FITTING CODE	RADIUS	WIDTH	
LD - Ladder Rung	4 - 4"	A	90HB	12 - 12"	06 - 6"	
VC - Vented Corrugated	5 - 5"			24 - 24"	09 - 9"	
SC - Solid Corrugated	6 - 6"			36 - 36"	12 - 12"	
SB - Solid Bottom	7 - 7"				18 - 18"	
					24 - 24"	
					30 - 30"	
					36 - 36"	

- **Material:** Aluminum Alloy 6063 and 5052
- **Finish:** Plain
- **Bottom:** LD: 1" wide rung  
SB: Flat sheet over Rung  
SC: Solid Corrugated  
VC: Vented Corrugated
- **Construction:** Welded
- **Tray Design:** Tray construction and markings are per the latest edition of NEMA Standards Publication VE1, CSA C22.2 No. 126
- **Connectors:** All fittings are supplied with necessary connectors and fasteners
- **Fitting heights (H):** 4", 5", 6", 7"

## 90HB Horizontal 90° Elbow



Radius R	Width W	Radius 2 R2	A	B	C	D
12	6	18	21	21	36	36
	9	21	24	24	39	39
	12	24	27	27	42	42
	18	30	33	33	48	48
	24	36	39	39	54	54
	30	42	45	45	60	60
	36	48	51	51	66	66
24	6	30	33	33	60	60
	9	33	36	36	63	63
	12	36	39	39	66	66
	18	42	45	45	72	72
	24	48	51	51	78	78
	30	54	57	57	84	84
	36	60	63	63	90	90
36	6	42	45	45	84	84
	9	45	48	48	87	87
	12	48	51	51	90	90
	18	54	57	57	96	96
	24	60	63	63	102	102
	30	66	69	69	108	108
	36	72	75	75	114	114

ITRAY HORIZONTAL ELBOW CATALOG NUMBERING EXAMPLE:						
BOTTOM TYPE	RAIL HEIGHT	MATERIAL	FITTING CODE	RADIUS	WIDTH	
LD - Ladder Rung	4 - 4"	A	90HB	12 - 12"	06 - 6"	
VC - Vented Corrugated	5 - 5"			24 - 24"	09 - 9"	
SC - Solid Corrugated	6 - 6"			36 - 36"	12 - 12"	
SB - Solid Bottom	7 - 7"				18 - 18"	
					24 - 24"	
					30 - 30"	
					36 - 36"	

- **Material:** Aluminum Alloy 6063 and 5052
- **Finish:** Plain
- **Bottom:** LD: 1" wide rung  
SB: Flat sheet over Rung  
SC: Solid Corrugated  
VC: Vented Corrugated
- **Construction:** Welded
- **Tray Design:** Tray construction and markings are per the latest edition of NEMA Standards Publication VE1, CSA C22.2 No. 126
- **Connectors:** All fittings are supplied with necessary connectors and fasteners
- **Fitting heights (H):** 4", 5", 6", 7"