

ULTRA LED™ HO Reflector Lamps

Rated up to 25,000 hours at 70% lumen maintenance, the SYLVANIA ULTRA HO LED bulbous reflector lamp offer years of service and reduce energy and maintenance costs. SYLVANIA LED lamps are environmentally preferred products. They are RoHS compliant, contain no mercury, lead or other hazardous materials. They emit no UV or IR radiation that can cause fading and discoloration of fabric or artwork. The 80+ CRI ensures greater color definition and can be used in many applications, both homes and businesses. These lamps are offered in 2700K, 3000K, 4000K and 5000K color temperatures.

Key Features & Benefits

- Dimmable down to 10%*
- Available in 2700K, 3000K, 4000K and 5000K color temperatures
- Long life up to 25,000 hours (L₇₀)
- UV and IR free
- Mercury and lead free
- RoHS compliant
- Energy savings up to 90%

Application Information

Applications

- General lighting
- Recessed downlights
- Track lighting
- Wall washers

Market Segments

- Art galleries
- Hospitality
- Museums
- Offices
- Residential
- Restaurants
- Retail

Application Notes

1. Only install in operating temperature -4°F to +104°F (-20°C to +40°C).
2. This device is not intended for use with emergency exits.
3. Not for use in totally enclosed fixtures.
4. Suitable for damp locations. Not for use where directly exposed to water.



Product Offering

Ordering Abbreviation	Wattage	Color Temperature
LEDR20	7	2700K, 5000K
LEDBR30	9	2700K, 3000K, 4000K, 5000K
LEDBR40	13	2700K, 3000K, 4000K, 5000K

This device complies with part 15 of the FCC Rules. Operation is subject to the following two conditions: (1) This device may not cause harmful interference, and (2) this device must accept any interference received, including interference that may cause undesired operation. For FCC Part 15 user information, please see www.ledvanceUS.com/fcc15b

* Performance may vary depending on dimmer used in application. Please refer to Dimmer Compatibility List (RETRO-DIM) for a list of compatible dimmers or visit www.ledvanceUS.com/LEDretrofit



Catalog #	Type
Project	
Comments	
Prepared by	

Ordering Information

Item Number	Ordering Abbreviation	Wattage (W)	Base Type	Replaces	Input Voltage (V)	Average Rated Life (hrs.)	CCT	Typical Lumens (lm)	CRI	Power Factor
40462	LED7R20/DIM/HO/827/G6/RP 6/CS 1/SKU	7	Medium	50WR20	120	25,000	2700K	525	80	.95
40463	LED7R20/DIM/HO/850/G6/RP 6/CS 1/SKU	7	Medium	50WR20	120	25,000	5000K	550	80	.95
40460	LED9BR30/DIM/HO/827/G6/RP 6/CS 1/SKU	9	Medium	65WBR30	120	25,000	2700K	800	80	.97
41111	LED9BR30/DIM/HO/830/G6/RP 6/CS 1/SKU	9	Medium	65WBR30	120	25,000	3000K	800	80	.95
41112	LED9BR30/DIM/HO/840/G6/RP 6/CS 1/SKU	9	Medium	65WBR30	120	25,000	4000K	800	80	.95
40461	LED9BR30/DIM/HO/850/G6/RP 6/CS 1/SKU	9	Medium	65WBR30	120	25,000	5000K	850	80	.95
40458	LED13BR40/DIM/HO/827/G6/RP 6/CS 1/SKU	13	Medium	85WBR40	120	25,000	2700K	1100	80	.97
41109	LED13BR40/DIM/HO/830/G6/RP 6/CS 1/SKU	13	Medium	85WBR40	120	25,000	3000K	1100	80	.95
41110	LED13BR40/DIM/HO/840/G6/RP 6/CS 1/SKU	13	Medium	85WBR40	120	25,000	4000K	1100	80	.95
40459	LED13BR40/DIM/HO/850/G6/RP 6/CS 1/SKU	13	Medium	85WBR40	120	25,000	5000K	1150	80	.97

Ordering Guide

LED	XX	BR30	/	DIM	/	HO	/	8	27	/	RP
LED Lamps	Wattage: 7, 9, 13	Lamp Type: R20, BR30, BR40		Dimmable		High Output		CRI = 80+	Color Temperature 2700K, 3000K, 4000K, 5000K		Retail Pack

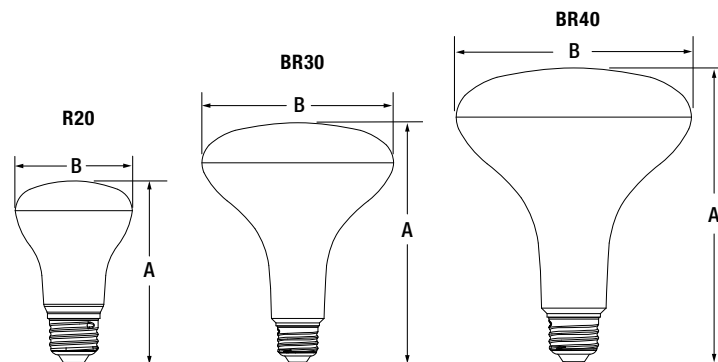
Energy Savings

Basic Product Description	LED Life (hrs.)	Similar Incandescent	Incandescent Life (hrs.)	Incandescent Lumens	Watts Saved	Energy Savings*	LED Life vs. Incandescent
LED7R20	25,000	50R20	2,000	420	44	\$121.00	12x
LED9BR30	25,000	65BR30	2,000	700	56	\$154.00	12x
LED13BR40	25,000	85BR40	2,000	1065	73	\$200.75	12x

*Energy savings over life of lamp calculated at \$0.11/kWh

Lamp Dimensions

	(A) MOL inches (mm)	(B) Diameter inches (mm)
R20	3.90 (99)	2.48 (63)
BR30	5 (127)	3.74 (95)
BR40	6.14 (156)	4.88 (124)



LEDVANCE LLC
 181 Ballardvale Street, Suite 203
 Wilmington, MA 01887 USA
 Phone 1-800-LIGHTBULB (1-800-544-4828)
 www.ledvanceUS.com

SYLVANIA and LEDVANCE are registered trademarks.
 All other trademarks are those of their respective owners.
 Licensee of product trademark SYLVANIA in general lighting.
 Specifications subject to change without notice.



SCAN TO FOLLOW US
ON SOCIAL MEDIA



ULTRA LED™ HO Reflector Lamps

Rated up to 25,000 hours at 70% lumen maintenance, the SYLVANIA ULTRA HO LED bulbous reflector lamp offer years of service and reduce energy and maintenance costs. SYLVANIA LED lamps are environmentally preferred products. They are RoHS compliant, contain no mercury, lead or other hazardous materials. They emit no UV or IR radiation that can cause fading and discoloration of fabric or artwork. The 80+ CRI ensures greater color definition and can be used in many applications, both homes and businesses. These lamps are offered in 2700K, 3000K, 4000K and 5000K color temperatures.

Key Features & Benefits

- Dimmable down to 10%*
- Available in 2700K, 3000K, 4000K and 5000K color temperatures
- Long life up to 25,000 hours (L₇₀)
- UV and IR free
- Mercury and lead free
- RoHS compliant
- Energy savings up to 90%

Application Information

Applications

- General lighting
- Recessed downlights
- Track lighting
- Wall washers

Market Segments

- Art galleries
- Hospitality
- Museums
- Offices
- Residential
- Restaurants
- Retail

Application Notes

1. Only install in operating temperature -4°F to +104°F (-20°C to +40°C).
2. This device is not intended for use with emergency exits.
3. Not for use in totally enclosed fixtures.
4. Suitable for damp locations. Not for use where directly exposed to water.



Product Offering

Ordering Abbreviation	Wattage	Color Temperature
LEDR20	7	2700K, 5000K
LEDBR30	9	2700K, 3000K, 4000K, 5000K
LEDBR40	13	2700K, 3000K, 4000K, 5000K

This device complies with part 15 of the FCC Rules. Operation is subject to the following two conditions: (1) This device may not cause harmful interference, and (2) this device must accept any interference received, including interference that may cause undesired operation. For FCC Part 15 user information, please see www.ledvanceUS.com/fcc15b

* Performance may vary depending on dimmer used in application. Please refer to Dimmer Compatibility List (RETRO-DIM) for a list of compatible dimmers or visit www.ledvanceUS.com/LEDretrofit



Catalog #	Type
Project	
Comments	
Prepared by	

Ordering Information

Item Number	Ordering Abbreviation	Wattage (W)	Base Type	Replaces	Input Voltage (V)	Average Rated Life (hrs.)	CCT	Typical Lumens (lm)	CRI	Power Factor
40462	LED7R20/DIM/HO/827/G6/RP 6/CS 1/SKU	7	Medium	50WR20	120	25,000	2700K	525	80	.95
40463	LED7R20/DIM/HO/850/G6/RP 6/CS 1/SKU	7	Medium	50WR20	120	25,000	5000K	550	80	.95
40460	LED9BR30/DIM/HO/827/G6/RP 6/CS 1/SKU	9	Medium	65WBR30	120	25,000	2700K	800	80	.97
41111	LED9BR30/DIM/HO/830/G6/RP 6/CS 1/SKU	9	Medium	65WBR30	120	25,000	3000K	800	80	.95
41112	LED9BR30/DIM/HO/840/G6/RP 6/CS 1/SKU	9	Medium	65WBR30	120	25,000	4000K	800	80	.95
40461	LED9BR30/DIM/HO/850/G6/RP 6/CS 1/SKU	9	Medium	65WBR30	120	25,000	5000K	850	80	.95
40458	LED13BR40/DIM/HO/827/G6/RP 6/CS 1/SKU	13	Medium	85WBR40	120	25,000	2700K	1100	80	.97
41109	LED13BR40/DIM/HO/830/G6/RP 6/CS 1/SKU	13	Medium	85WBR40	120	25,000	3000K	1100	80	.95
41110	LED13BR40/DIM/HO/840/G6/RP 6/CS 1/SKU	13	Medium	85WBR40	120	25,000	4000K	1100	80	.95
40459	LED13BR40/DIM/HO/850/G6/RP 6/CS 1/SKU	13	Medium	85WBR40	120	25,000	5000K	1150	80	.97

Ordering Guide

LED	XX	BR30	/	DIM	/	HO	/	8	27	/	RP
LED Lamps	Wattage: 7, 9, 13	Lamp Type: R20, BR30, BR40		Dimmable		High Output		CRI = 80+	Color Temperature 2700K, 3000K, 4000K, 5000K		Retail Pack

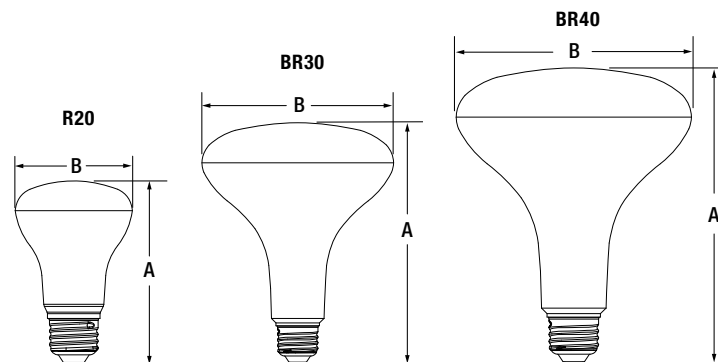
Energy Savings

Basic Product Description	LED Life (hrs.)	Similar Incandescent	Incandescent Life (hrs.)	Incandescent Lumens	Watts Saved	Energy Savings*	LED Life vs. Incandescent
LED7R20	25,000	50R20	2,000	420	44	\$121.00	12x
LED9BR30	25,000	65BR30	2,000	700	56	\$154.00	12x
LED13BR40	25,000	85BR40	2,000	1065	73	\$200.75	12x

*Energy savings over life of lamp calculated at \$0.11/kWh

Lamp Dimensions

	(A) MOL inches (mm)	(B) Diameter inches (mm)
R20	3.90 (99)	2.48 (63)
BR30	5 (127)	3.74 (95)
BR40	6.14 (156)	4.88 (124)



LEDVANCE LLC
 181 Ballardvale Street, Suite 203
 Wilmington, MA 01887 USA
 Phone 1-800-LIGHTBULB (1-800-544-4828)
 www.ledvanceUS.com

SYLVANIA and LEDVANCE are registered trademarks.
 All other trademarks are those of their respective owners.
 Licensee of product trademark SYLVANIA in general lighting.
 Specifications subject to change without notice.



SCAN TO FOLLOW US
ON SOCIAL MEDIA

