



# ESSENTIAL SERIES

GENERAL PURPOSE LED BULBS

## KT-LED15BR40-8XX /G3

90W REPLACEMENT LAMP

### DESCRIPTION

15.5W BR40 Lamp | 2700–5000K | >80 CRI | Standard Flood



<b>LAMP TYPE:</b> BR40
<b>BASE TYPE:</b> E26 (Medium)
<b>WATTAGE:</b> 15.5W
<b>COLOR TEMPERATURE:</b> 2700–5000K
<b>COLOR RENDERING INDEX (CRI):</b> >80
<b>WARRANTY:</b> 3 Years
<b>RATED LIFE:</b> 15,000 Hours



### TYPICAL APPLICATIONS

- Recessed downlights
- Track lighting
- Surface-mount ceiling fixtures

### PRODUCT FEATURES

- 80%+ energy savings and less heat generation vs legacy equivalents
- 15,000 hr lifetime means fewer replacements and lower maintenance cost
- Smooth diffused lens for comfortable, glare free performance
- Durable plastic housing for lower risk of breakage
- ANSI compliant construction ensures fit for intended applications
- UL and Energy Star listed
- Suitable for use in enclosed and recessed fixtures
- Suitable for dry and damp locations
- PF > 0.90
- Operating temperature range: 4°F/–20°C to 95°F/35°C
- Complies with FCC Part 15

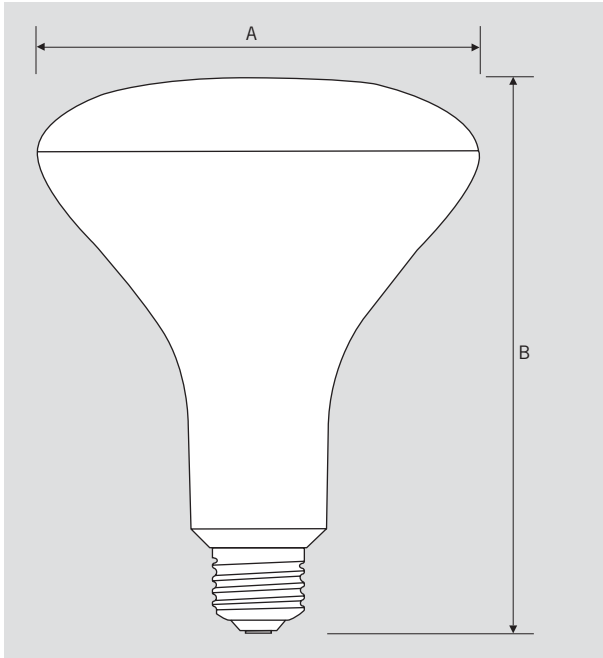
### ELECTRICAL AND PERFORMANCE SPECIFICATIONS

Keystone Catalog Number	Description	Base Type	Input Voltage	Wattage	Legacy Equivalent Wattage	Lumens	Efficacy	CRI	Beam Angle	Dimmable	Color Temp
KT-LED15BR40-827 /G3	BR40 bulb; Standard flood; Dimmable	E26	120V	15.5W	90W halogen	1400	90 lm/W	>80	110°	Yes	2700K
KT-LED15BR40-830 /G3	BR40 bulb; Standard flood; Dimmable	E26	120V	15.5W	90W halogen	1400	90 lm/W	>80	110°	Yes	3000K
KT-LED15BR40-840 /G3	BR40 bulb; Standard flood; Dimmable	E26	120V	15.5W	90W halogen	1470	95 lm/W	>80	110°	Yes	4000K
KT-LED15BR40-850 /G3	BR40 bulb; Standard flood; Dimmable	E26	120V	15.5W	90W halogen	1470	95 lm/W	>80	110°	Yes	5000K

## KT-LED15BR40-8XX /G3

### 90W REPLACEMENT LAMP

#### PHYSICAL CHARACTERISTICS



#### LAMP DIMENSIONS

A (Diameter)	5.0"
B (Length)	6.29"

BASE TYPE: E26 (Medium)

#### PACKAGING

Carton Quantity	24 pcs
Carton Dimensions	7.91" × 22.68" × 14.72"
Carton Weight	17.79 lbs

#### ORDERING INFORMATION

Order Code	Carton Quantity	Energy Star Unique ID	UPC	Easy Code
KT-LED15BR40-827 /G3	24 pcs	TBD	843654150734	QUZ-93
KT-LED15BR40-830 /G3	24 pcs	TBD	843654150741	DKI-24
KT-LED15BR40-840 /G3	24 pcs	TBD	843654150758	SSI-77
KT-LED15BR40-850 /G3	24 pcs	TBD	843654150765	BLM-17

#### CATALOG NUMBER BREAKDOWN

## KT-LED15BR40-8XX /G3

1 2 3 4 5 6 7

- 1 Keystone Technologies
- 2 LED Lamp
- 3 Wattage
- 4 Lamp Shape
- 5 80 CRI
- 6 Color Temperature
- 7 Third Generation