



ESSENTIAL SERIES

GENERAL PURPOSE LED BULBS

KT-LED6.5PAR16-S-8XX

REPLACEMENT LAMP

DESCRIPTION

6.5W PAR16 Lamp | 2700–5000K | >80 CRI | Spotlight



| |
|---|
| LAMP TYPE: PAR16 |
| BASE TYPE: E26 (Medium) |
| WATTAGE: 6.5W |
| COLOR TEMPERATURE: 2700–5000K |
| COLOR RENDERING INDEX (CRI): >80 |
| WARRANTY: 3 Years |
| RATED LIFE: L70 (15,000 Hours) |



TYPICAL APPLICATIONS

- Track-lighting
- Display
- Under-cabinet
- Outdoor landscaping (with suitable protection from the elements)

PRODUCT FEATURES

- Energy efficient, 80%+ energy savings over legacy equivalents
- Lower heat generation than legacy equivalents
- PF: >0.70
- Smooth, uniform dimming
- Precision-crafted, full-face optics for precise beam angle control
- Durable plastic housing lowers the risk for breakage
- Long life minimizes replacement and maintenance costs
- Operating temperature range: –4°F/–20°C to 113°F/45°C
- ANSI compliant construction ensures fitment for intended applications
- Rated for open and recessed fixtures
- Complies with Part 15 of FCC
- Meets Energy Star requirements
- UL Listed
- Rated for use in damp locations

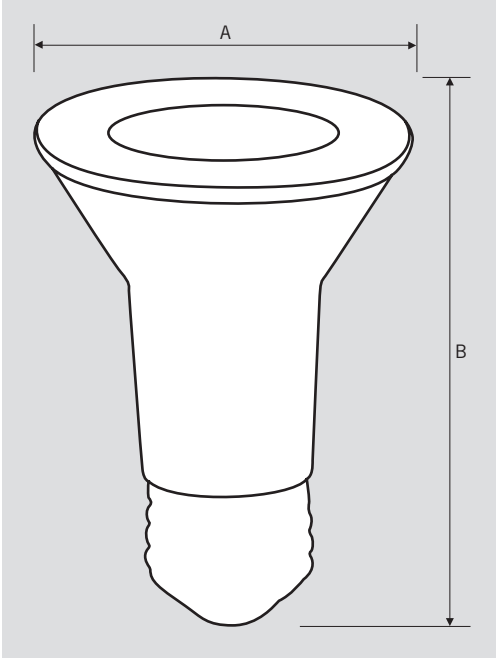
ELECTRICAL AND PERFORMANCE SPECIFICATIONS

| Keystone Catalog Number | Description | Color Temp | Input Voltage | Rated Lamp Wattage | Legacy Equivalent Wattage | Base Type | Lumens | Energy Star CBCP | CRI | Beam Angle | Dimmable | Efficacy |
|-------------------------|---------------------------------|------------|---------------|--------------------|---------------------------|-----------|--------|------------------|-----|------------|----------|----------|
| KT-LED6.5PAR16-S-827 | PAR16 bulb; Spotlight; Dimmable | 2700K | 120V | 6.5W | 50W halogen | E26 | 500 lm | TBD | >80 | 40° | Yes | 77 lm/W |
| KT-LED6.5PAR16-S-830 | PAR16 bulb; Spotlight; Dimmable | 3000K | 120V | 6.5W | 50W halogen | E26 | 500 lm | TBD | >80 | 40° | Yes | 77 lm/W |
| KT-LED6.5PAR16-S-840 | PAR16 bulb; Spotlight; Dimmable | 4000K | 120V | 6.5W | 50W halogen | E26 | 500 lm | TBD | >80 | 40° | Yes | 77 lm/W |
| KT-LED6.5PAR16-S-850 | PAR16 bulb; Spotlight; Dimmable | 5000K | 120V | 6.5W | 50W halogen | E26 | 500 lm | TBD | >80 | 40° | Yes | 77 lm/W |

KT-LED6.5PAR16-S-8XX

REPLACEMENT LAMP

PHYSICAL CHARACTERISTICS



LAMP DIMENSIONS

| | |
|--------------|-------|
| A (Diameter) | 1.97" |
| B (Length) | 2.93" |

BASE TYPE: E26 (Medium)

PACKAGING

| | |
|-------------------|-------------------------|
| Carton Quantity | 60 pcs |
| Carton Dimensions | 12.95" x 10.91" x 6.54" |
| Carton Weight | 9.5 lbs |

ORDERING INFORMATION

| ORDER CODE | CARTON QUANTITY | ITEM STATUS | EASY CODE | UPC |
|----------------------|-----------------|-------------|-----------|--------------|
| KT-LED6.5PAR16-S-827 | 60 pcs | Active | FKD-68 | 843654126272 |
| KT-LED6.5PAR16-S-830 | 60 pcs | Active | ZIP-94 | 843654126289 |
| KT-LED6.5PAR16-S-840 | 60 pcs | Active | RBZ-73 | 843654126296 |
| KT-LED6.5PAR16-S-850 | 60 pcs | Active | ZEW-59 | 843654126302 |

CATALOG NUMBER BREAKDOWN

KT-LED6.5PAR16-S-8XX

1 2 3 4 5 6 7

- 1 Keystone Technologies
- 2 LED Lamp
- 3 Wattage
- 4 Lamp Shape
- 5 Spotlight
- 6 800 Series
- 7 Color Temperature