

# COOPER LIGHTING - SURE-LITES®



## LPX SERIES

**Polycarbonate  
AC Only  
Self-Powered**

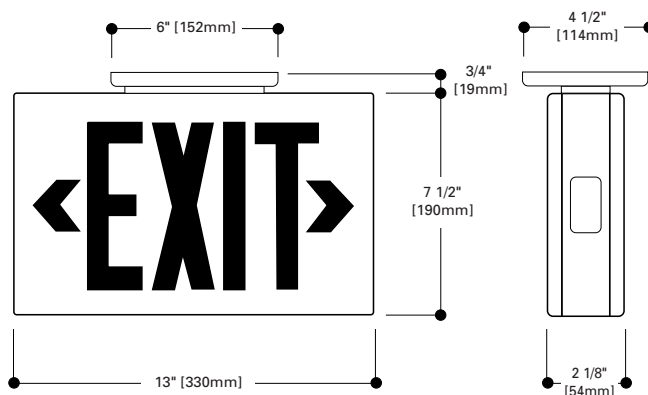
### EXIT LIGHTING

- Dual-voltage Input 120/277 VAC, 60Hz, isolation transformer
- Injection molded polycarbonate housing
- LED lamping
- Premium Nickel Cadmium battery (Self Powered)
- Fully charged in 24 hours (Self-Powered Exits)
- Ceiling, wall, or end mountable
- Snap-fit canopy included
- Snap-out or snap-in chevron directional indicators
- Knockout provided on housing for surface attachment
- Universal exits can be field configured as single face or double face
- Self-powered Exit features line-latching, solid-state voltage limited charger, solid-state switching, brownout circuit, low-voltage disconnect, overload/short-circuit protection, test switch/power indicator light
- Self-Diagnostic Exits meet Energy Star and UL Damp Location
- Optional 2C (Two circuit, FTBR) available in 120/277 VAC in standard and emergency operation (AC Only Exits)• UL 924 Listed, Life Safety NFPA 101, CSA Certified, NEC/OSHA, most state and local codes, suitable for floor proximity installation
- Patent No. 5,735,498 and 5,678,336

### DESCRIPTION

The LPX Series LED Exit is an economical, yet attractive, alternative to metal exits. Its contemporary round corner styling, designer white finish, and consistent family appearance enables it to blend with any decor. The tough injection molded polycarbonate materials resist discoloration. All components, including canopy and chevron directional indicators, are of snap-fit construction to facilitate installation. The under 5-minute installation time of the LPX Series Exit makes it the fastest installed exit on the market today. All LPX Series Exits are available in universal configurations.

### DIMENSIONS



### ORDERING INFORMATION

SAMPLE NUMBER: LPX70RWH

## LPX

**Family**  
LPX=Polycarbonate Exit

**Series**  
6=AC only with LED  
7=Self-Powered with LED

**Face Options**  
0=Universal

**Battery**  
Blank=No Battery (LPX6)  
Blank=Nickel Cadmium Battery (LPX7)

**Letter Colors**  
R=Red  
G=Green (White Only)  
DG=Premium Deep Green

**Housing Finishes**  
WH=White  
BK=Black

**Options**  
2C=Two Circuit Option (FTBR) (LPX6 Only)  
SD=Self Diagnostics (Red and Deep Green, White Housing Only. LPX7 Only)

**Accessories**  
(Order Separately)  
CCX18PKWH=18" Pendant Kit, White  
CCX18PKHTWH=18" Hang True Pendant Kit, White  
CCX18PKBK=18" Pendant Kit, Black  
CCX18PKHTBK=18" Hang True Pendant Kit, Black  
WG10=Surface, Wire Guard  
WGS11=Ceiling, End Wire Guard  
VS1=Polycarbonate Vandal Shield  
VS1WP=Polycarbonate Vandal Shield Weather Proof

### Energy Data - Self-Powered Exits

	Charge Mode (Fully Discharged Battery): Sealed Nickel Cadmium Battery							
	Input Power:		Input Current (Max.):		Power Factor:		T.H.D.:	
	120V	277V	120V	277V	120V	277V	120V	277V
<b>LED Exits</b>								
LED Exits -Red Letters	2.8W	2.9W	.03A	.02A	> .81	> .77	< 32%	< 46%
LED Exits Green	6.0W	6.4W	.09A	.04A	> .58	> .56	< 42%	< 45%
LED Exits-Red Letters SD	1.7W	1.7W	.03A	.01A	>.63	>.64	<43%	<48%
<b>Premium</b>								
Premium Deep Green	4.0W	4.0W	.08A	.04A	> .41	> .41	< 48%	< 49%
Premium Deep Green SD	3.1W	3.0W	.08A	.04A	>.34	>.36	<63%	<67%

### Energy Data - AC Only Exits

	Charge Mode (Fully Discharged Battery): Sealed Nickel Cadmium Battery							
	Input Power:		Input Current (Max.):		Power Factor:		T.H.D.:	
	120V	277V	120V	277V	120V	277V	120V	277V
<b>LED Exits</b>								
LED Exits -Red Letters	2.4W	2.5W	.03A	.02A	> .78	> .73	< 33%	< 48%
LED Exits -Green Letters	5.6W	5.9W	.08A	.04A	> .55	> .53	< 43%	< 45%
<b>Premium</b>								
Premium Deep Green	2.6W	2.6W	.08A	.04A	> .28	> .28	< 51%	< 53%

# COOPER LIGHTING - SURE-LITES®



## LPX SERIES

**Polycarbonate  
AC Only  
Self-Powered**

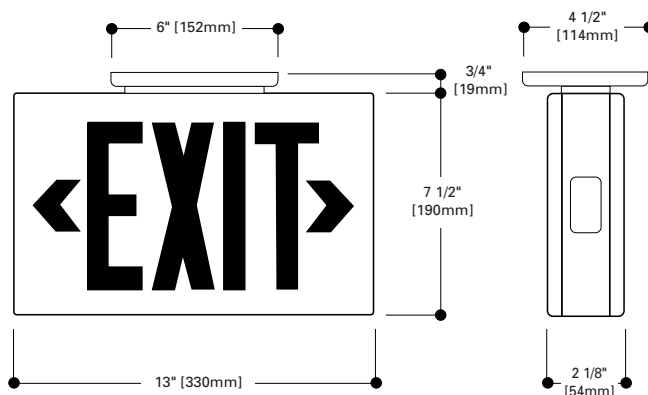
### EXIT LIGHTING

- Dual-voltage Input 120/277 VAC, 60Hz, isolation transformer
- Injection molded polycarbonate housing
- LED lamping
- Premium Nickel Cadmium battery (Self Powered)
- Fully charged in 24 hours (Self-Powered Exits)
- Ceiling, wall, or end mountable
- Snap-fit canopy included
- Snap-out or snap-in chevron directional indicators
- Knockout provided on housing for surface attachment
- Universal exits can be field configured as single face or double face
- Self-powered Exit features line-latching, solid-state voltage limited charger, solid-state switching, brownout circuit, low-voltage disconnect, overload/short-circuit protection, test switch/power indicator light
- Self-Diagnostic Exits meet Energy Star and UL Damp Location
- Optional 2C (Two circuit, FTBR) available in 120/277 VAC in standard and emergency operation (AC Only Exits)• UL 924 Listed, Life Safety NFPA 101, CSA Certified, NEC/OSHA, most state and local codes, suitable for floor proximity installation
- Patent No. 5,735,498 and 5,678,336

### DESCRIPTION

The LPX Series LED Exit is an economical, yet attractive, alternative to metal exits. Its contemporary round corner styling, designer white finish, and consistent family appearance enables it to blend with any decor. The tough injection molded polycarbonate materials resist discoloration. All components, including canopy and chevron directional indicators, are of snap-fit construction to facilitate installation. The under 5-minute installation time of the LPX Series Exit makes it the fastest installed exit on the market today. All LPX Series Exits are available in universal configurations.

### DIMENSIONS



### ORDERING INFORMATION

SAMPLE NUMBER: LPX70RWH

## LPX

**Family**  
LPX=Polycarbonate Exit

**Series**  
6=AC only with LED  
7=Self-Powered with LED

**Face Options**  
0=Universal

**Battery**  
Blank=No Battery (LPX6)  
Blank=Nickel Cadmium Battery (LPX7)

**Letter Colors**  
R=Red  
G=Green (White Only)  
DG=Premium Deep Green

**Housing Finishes**  
WH=White  
BK=Black

**Options**  
2C=Two Circuit Option (FTBR) (LPX6 Only)  
SD=Self Diagnostics (Red and Deep Green, White Housing Only. LPX7 Only)

**Accessories**  
(Order Separately)  
CCX18PKWH=18" Pendant Kit, White  
CCX18PKHTWH=18" Hang True Pendant Kit, White  
CCX18PKBK=18" Pendant Kit, Black  
CCX18PKHTBK=18" Hang True Pendant Kit, Black  
WG10=Surface, Wire Guard  
WGS11=Ceiling, End Wire Guard  
VS1=Polycarbonate Vandal Shield  
VS1WP=Polycarbonate Vandal Shield Weather Proof

### Energy Data - Self-Powered Exits

	Charge Mode (Fully Discharged Battery): Sealed Nickel Cadmium Battery							
	Input Power:		Input Current (Max.):		Power Factor:		T.H.D.:	
	120V	277V	120V	277V	120V	277V	120V	277V
<b>LED Exits</b>								
LED Exits -Red Letters	2.8W	2.9W	.03A	.02A	> .81	> .77	< 32%	< 46%
LED Exits Green	6.0W	6.4W	.09A	.04A	> .58	> .56	< 42%	< 45%
LED Exits-Red Letters SD	1.7W	1.7W	.03A	.01A	>.63	>.64	<43%	<48%
<b>Premium</b>								
Premium Deep Green	4.0W	4.0W	.08A	.04A	> .41	> .41	< 48%	< 49%
Premium Deep Green SD	3.1W	3.0W	.08A	.04A	>.34	>.36	<63%	<67%

### Energy Data - AC Only Exits

	Charge Mode (Fully Discharged Battery): Sealed Nickel Cadmium Battery							
	Input Power:		Input Current (Max.):		Power Factor:		T.H.D.:	
	120V	277V	120V	277V	120V	277V	120V	277V
<b>LED Exits</b>								
LED Exits -Red Letters	2.4W	2.5W	.03A	.02A	> .78	> .73	< 33%	< 48%
LED Exits -Green Letters	5.6W	5.9W	.08A	.04A	> .55	> .53	< 43%	< 45%
<b>Premium</b>								
Premium Deep Green	2.6W	2.6W	.08A	.04A	> .28	> .28	< 51%	< 53%