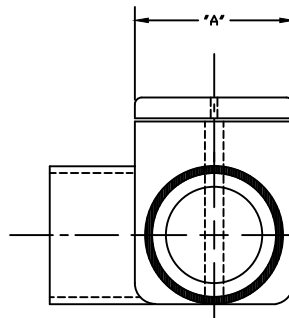
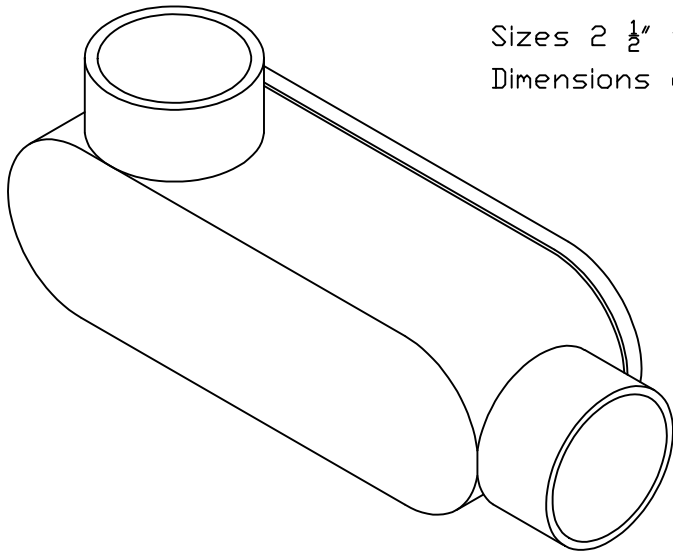
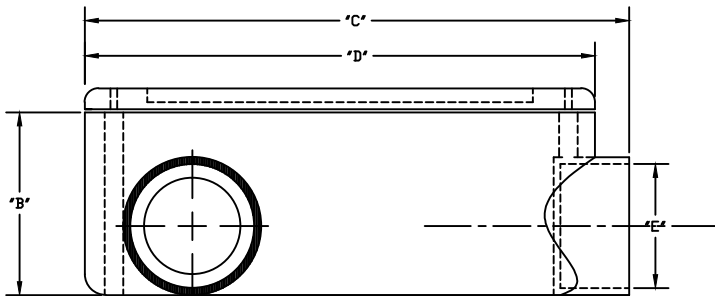


PART NUMBER	SIZE	"A"	"B"	"C"	"D"	"E"	Volume Cu. In.	Maximum 3-Wire Fill
5133650	1/2	1 5/16"	1 7/16"	4 1/4"	4"	7/8"	4.3	#6 or smaller
5133651	3/4	1 1/2"	1 5/8"	4 15/16"	4 5/8"	1 1/16"	6.5	#6 or smaller
5133652	1	1 3/4"	2"	6"	5 3/8"	1 5/16"	11.8	#6 or smaller
5133653	1-1/4	2 7/16"	2 7/16"	7 5/8"	7 3/16"	1 5/8"	25	XHHW #1
5133654	1-1/2	2 5/8"	2 13/16"	8 9/16"	8"	1 15/16"	36.5	XHHW #2/0
5133655	2	3 1/16"	3 7/16"	9 7/8"	9 1/2"	2 3/8"	63.5	XHHW #4/0
5133658	2-1/2	4 5/8"	4 5/8"	1' 2 15/16"	1' 3/4"	2 7/8"	198	XHHW 500 MCM
5133656	3	4 5/8"	4 5/8"	1' 3"	1' 13/16"	3 1/2"	198	XHHW 500 MCM
5133659	3-1/2	5 5/8"	5 1/2"	1' 4 3/16"	1' 13/16"	4"	305	XHHW 500 MCM
5133657	4	5 5/8"	5 1/2"	1' 3 15/16"	1' 13/16"	4 1/2"	305	XHHW 500 MCM

Sizes 2 1/2" through 4" have straight (90 deg.) edges/angles.
 Dimensions are nominal



UL Listed
 UL File # E98429
 UL Category Code QCMZ
 UL Control Number 39N9
 Material is Rigid PVC
 Gasket is Neoprene
 Zinc plated steel screws
 See NEC Article 314 for use



CANTEX INC. Fort Worth, TEXAS		
Type LR Conduit Bodies		
Drawn By: O.M.	Date: 5/11/17	Ref. 5133650