

Project		Catalog #		Type	
Prepared by		Notes		Date	



# HALO

## LT56

5" & 6" All Purpose LED Retrofit Trim  
up to 750 Lumen Series  
90 CRI

### Typical Applications

Residential

### Interactive Menu

- Order Information page 2
- Product Specifications page 3
- Photometric Data page 4
- Energy & Performance Data page 4
- Product Warranty

### Product Certification



Refer to ENERGY STAR® Certified Products List.  
Can be used to comply with California Title 24 High Efficacy requirements.  
Certified to California Appliance Efficiency Database under JAS.  
**NOTE:** Due to T20 changes as of July 1<sup>st</sup> 2019 consult factory for current catalog number and availability for T20 compliant products.

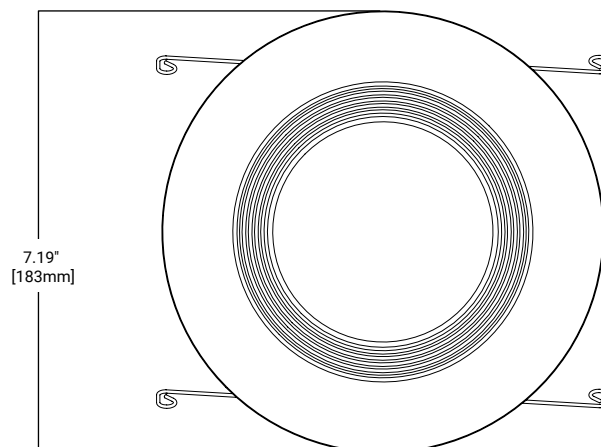
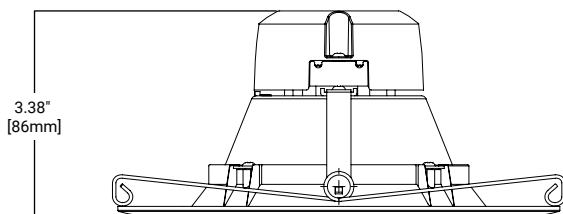
### Product Features



### Top Product Features

- ENERGY STAR® certified
- 2700K, 3000K, 3500K, 4000K, 5000K; 90CRI
- Retrofits existing 5" or 6" housings with screwbase adapter included
- Dead Front construction
- Dimmable down to 10%

### Dimensional and Mounting Details



## Order Information

SAMPLE ORDER NUMBER: **LT560WH6930R**

A complete luminaire consists of a housing and a LED integrated trim, order separately.

Module	Finish	Lumens	CRI/CCT	Packaging	T20 Compliant
Module	Finish	Lumens	CRI/CCT	Accessories	
<b>LT560</b> = 5" and 6" integrated LED trim	<b>WH</b> = matte white	<b>6</b> = 600 lumen series (nominal) <b>9</b> = 900 lumen series (nominal) See table below for details.	<b>927</b> = 90 CRI (minimum), 2700K CCT <b>930</b> = 90 CRI (minimum), 3000K CCT <b>935</b> = 90 CRI (minimum), 3500K CCT <b>940</b> = 90 CRI (minimum), 4000K CCT <b>950</b> = 90 CRI (minimum), 5000K CCT	<b>R</b> = Recyclable	<b>-CA</b> = California

### Accessories

#### Accessories

**HE26LED** = Replacement medium base (E26) screw base adapter (one included with unit)

### Housing Compatibility

#### Compatible Halo LED Housings with LED Luminaire Connector (high-efficacy compliant – Title 24)

<b>Halo LED</b> <b>H550ICAT</b> = 5" LED, Insulated Ceiling, Air-Tite, New Construction Housing <b>H550RICAT</b> = 5" LED, Insulated Ceiling, Air-Tite, Remodel Housing	<b>H750ICAT</b> = 6" LED, Insulated Ceiling, Air-Tite, New Construction Housing <b>H750RICAT</b> = 6" LED, Insulated Ceiling, Air-Tite, Remodel Housing <b>H750T</b> = 6" LED, Non-IC, Air-Tite, New Construction Housing <b>H750TCP</b> = 6" LED, Non-IC, New Construction/Remodel Chicago Plenum Housing <b>H2750ICAT</b> = 6" LED, Shallow, Insulated Ceiling, Air-Tite, New Construction (use with 691X, 694X, 696X trims only) <b>H2750RICAT</b> = 6" LED, Shallow, Insulated Ceiling, Air-Tite, Remodel (use with 691X, 694X, 696X trims only)
---	---

### Housing Compatibility

#### Halo LED Retrofit Enclosures

**Halo LED Retrofit Enclosures**  
**ML7BXRFK** = 6" Retrofit Enclosure, Non-IC, BX Whip  
**ML7E26RFK** = 6" Retrofit Enclosure, Non-IC, E26 Screw base Interface

### Housing Compatibility

#### Halo LED Retrofit Enclosures

<b>Halo LED Retrofit Enclosures</b> <b>H5ICAT</b> = 5" Insulated Ceiling, Air-Tite New Construction Housing <b>H5ICATNB</b> = 5" Insulated Ceiling, Air-Tite New Construction Housing, No Socket Bracket <b>H5RICAT</b> = 5" Insulated Ceiling, Air-Tite Remodel Housing <b>H5T</b> = 5" Non-IC, New Construction Housing <b>H5TNB</b> = 5" Non-IC, New Construction Housing, No Socket Bracket <b>H5RT</b> = 5" Non-IC, Remodel Housing <b>H5TM</b> = 5" Hi-Lumen All Purpose LED Retrofit Trim <b>H25ICAT</b> = 5" Shallow, Insulated Ceiling, Air-Tite New Construction <b>H25ICATNB</b> = 5" Shallow, Insulated Ceiling, Air-Tite New Construction, No Socket Bracket <b>E5ICAT</b> = 5" Insulated Ceiling, Air-Tite New Construction Housing <b>E5ICATNB</b> = 5" Insulated Ceiling, Air-Tite New Construction Housing, No Socket Bracket <b>E5RICAT</b> = 5" Insulated Ceiling, Air-Tite Remodel Housing <b>E5RTAT</b> = 5" Non-IC, Remodel Housing <b>E5TAT</b> = 5" Non-IC, New Construction Housing <b>E5TATNB</b> = 5" Non-IC, New Construction Housing, No Socket Bracket	<b>H7ICAT</b> = 6" Hi-Lumen All Purpose LED Retrofit Trim <b>HH7RICAT</b> = 6" Hi-Lumen All Purpose LED Retrofit Trim <b>H7ICT</b> = 6" Hi-Lumen All Purpose LED Retrofit Trim <b>H7RICT</b> = 6" Hi-Lumen All Purpose LED Retrofit Trim <b>H7ICATNB</b> = 6" Hi-Lumen All Purpose LED Retrofit Trim <b>H7ICTNB</b> = 6" Hi-Lumen All Purpose LED Retrofit Trim <b>H7T</b> = 6" Hi-Lumen All Purpose LED Retrofit Trim <b>H7RT</b> = 6" Hi-Lumen All Purpose LED Retrofit Trim <b>H7TNB</b> = 6" Hi-Lumen All Purpose LED Retrofit Trim <b>H7TCP</b> = 6" Hi-Lumen All Purpose LED Retrofit Trim <b>H7UICAT</b> = 6" Hi-Lumen All Purpose LED Retrofit Trim <b>H7UICATNB</b> = 6" Hi-Lumen All Purpose LED Retrofit Trim <b>H27ICAT</b> = 6" Hi-Lumen All Purpose LED Retrofit Trim <b>H27RICAT</b> = 6" Hi-Lumen All Purpose LED Retrofit Trim <b>HH27RICT</b> = 6" Hi-Lumen All Purpose LED Retrofit Trim <b>H27T</b> = 6" Hi-Lumen All Purpose LED Retrofit Trim <b>H27RT</b> = 6" Hi-Lumen All Purpose LED Retrofit Trim <b>E27ICAT</b> = 6" Hi-Lumen All Purpose LED Retrofit Trim <b>E27RICAT</b> = 6" Hi-Lumen All Purpose LED Retrofit Trim <b>E27RTAT</b> = 6" Hi-Lumen All Purpose LED Retrofit Trim <b>E27TAT</b> = 6" Hi-Lumen All Purpose LED Retrofit Trim <b>E7ICAT</b> = 6" Hi-Lumen All Purpose LED Retrofit Trim <b>E7ICATNB</b> = 6" Hi-Lumen All Purpose LED Retrofit Trim <b>E7RICAT</b> = 6" Hi-Lumen All Purpose LED Retrofit Trim <b>E7RTAT</b> = 6" Hi-Lumen All Purpose LED Retrofit Trim <b>E7TAT</b> = 6" Hi-Lumen All Purpose LED Retrofit Trim <b>E7TATNB</b> = 6" Hi-Lumen All Purpose LED Retrofit Trim
---	---

## Order Information Continued

## Housing Compatibility

## Compatible All-Pro Incandescent E26 Screwbase Housings

**Compatible All-Pro Incandescent E26 Screwbase Housings**

**EI500AT** = 5" All-Pro Hi-Lumen All Purpose LED Retrofit Trim  
**EI500RAT** = 5" All-Pro Hi-Lumen All Purpose LED Retrofit Trim  
**ET500** = 5" All-Pro Hi-Lumen All Purpose LED Retrofit Trim  
**ET500R** = 5" All-Pro Hi-Lumen All Purpose LED Retrofit Trim

**EI700AT** = 6" All-Pro Hi-Lumen All Purpose LED Retrofit Trim  
**EI700RAT** = 6" All-Pro Hi-Lumen All Purpose LED Retrofit Trim  
**EI700** = 6" All-Pro Hi-Lumen All Purpose LED Retrofit Trim  
**EI700R** = 6" All-Pro Hi-Lumen All Purpose LED Retrofit Trim  
**EI700ATNB** = 6" All-Pro Hi-Lumen All Purpose LED Retrofit Trim  
**EI700NB** = 6" All-Pro Hi-Lumen All Purpose LED Retrofit Trim  
**EI700U** = 6" All-Pro Hi-Lumen All Purpose LED Retrofit Trim  
**EI700UAT** = 6" All-Pro Hi-Lumen All Purpose LED Retrofit Trim  
**ET700** = 6" All-Pro Hi-Lumen All Purpose LED Retrofit Trim  
**ET700R** = 6" All-Pro Hi-Lumen All Purpose LED Retrofit Trim  
**EI2700AT** = 6" All-Pro Hi-Lumen All Purpose LED Retrofit Trim  
**EI2700R** = 6" All-Pro Hi-Lumen All Purpose LED Retrofit Trim  
**EI2700** = 6" All-Pro Hi-Lumen All Purpose LED Retrofit Trim  
**EI2700R** = 6" All-Pro Hi-Lumen All Purpose LED Retrofit Trim  
**ET2700** = 6" All-Pro Hi-Lumen All Purpose LED Retrofit Trim  
**ET2700R** = 6" All-Pro Hi-Lumen All Purpose LED Retrofit Trim

**LT56 Series LED Retrofit is UL Classified for retrofit in the following 5/6" recessed housings:**

The LT Series LED light module - trim combination is cULus Listed or UL Classified for use with any 5"/6" diameter recessed housing constructed of steel or aluminum with an internal volume that exceeds 107.9 in<sup>3</sup> in addition to those noted above.

## Specification Features

**Module**

- Field interchangeable and upgradable LED module consists of LED array, optical assembly, driver and baffle style self-flanged trim
- Integral aluminum heat sink provides passive thermal cooling achieving L70 at 35,000 hours in IC and non-IC applications

**Gaskets**

- Closed cell gasket achieves restrictive airflow requirements without additional caulking

**LED Array**

- A plurality of low power LEDs provide a uniform source with high efficiency and long life
- Available in 90 CRI minimum, R9 greater than 50 and color accuracy within 4 SDCM provide color accuracy and uniformity
- Available in 2700, 3000, 3500, 4000 and 5000K CCT color temperatures

**Optical Assembly**

- Optical assembly provides wide distribution useful for general and task lighting
- Diffuse injection molded lens with contoured profile provides uniformity and a familiar lamp like appearance
- Meets ENERGY STAR® color angular uniformity requirements

**Driver**

- Integral 120V 60 Hz constant current driver provides high efficiency operation
- Continuous, flicker-free dimming from 100% to 10% with select leading or trailing edge 120V phase cut dimmers – consult dimming guide for more information
- Consult dimmer manufacturer for compatibility and conditions of use
- Inline electrical quick connect and E26 adapter (provided) provides mains connection

**Retention**

- Preinstalled torsion springs hold module securely to the housing
- Ships with torsion springs set in the 6" position, adjusts to 5" position with Philips drive locking screws

**Trim**

- One-piece step baffle and self-flanged trim ring provides lens regression and reduces light leaks
- Injection molded plastic construction is impact resistant and non-corrosive
- Non-conductive construction meets most local code 'dead front' requirements

**Compliance**

- cULus listed for use with Halo housings, classified for use with other's housings, see instruction sheet for conditions of acceptability
- Wet location listed and IP66 ingress protection rated
- Airtight per ASTM-E283
- Suitable for use in clothes closets when installed in accordance with the NEC 410.16 spacing requirements
- EMI/RFI emissions per FCC 47CFR Part 15 consumer limits
- Contains no mercury or lead and RoHS compliant
- Photometric testing in accordance with IES LM-79-08
- Lumen maintenance projections in accordance with IES LM-80-08 and TM-21-11
- Can be used for State of California Title 24 high efficacy luminaire compliance, reference the California Energy Commission Title 20 Appliance Efficiency Database for current listings
- ENERGY STAR® listed, reference database for current listings
- Meets State of California voluntary lamp standards
- Lighting Facts labeled

**Warranty**

- Five year limited warranty, consult website for details. [www.cooperlighting.com](http://www.cooperlighting.com)

## Product Specifications

LT560WH6927R – 90 CRI

PRODUCT SPECIFICATIONS	
Lumens	720
Watts	9.5
Lumens Per Watt (Efficacy)	75.79
Color Accuracy (CRI)	91
Light Color (CCT)	2700K
Correlated Color Temperature (CCT)	
warm white    soft white    bright white 2700K    3000K    4500K    6500K	

LT560WH6930R – 90 CRI

PRODUCT SPECIFICATIONS	
Lumens	750
Watts	9.5
Lumens Per Watt (Efficacy)	78.95
Color Accuracy (CRI)	90
Light Color (CCT)	3000K
Correlated Color Temperature (CCT)	
warm white    soft white    bright white 2700K    3000K    4500K    6500K	

LT560WH6935R – 90 CRI

PRODUCT SPECIFICATIONS	
Lumens	760
Watts	9.6
Lumens Per Watt (Efficacy)	79.17
Color Accuracy (CRI)	91
Light Color (CCT)	3500K
Correlated Color Temperature (CCT)	
warm white    soft white    bright white 2700K    3000K    4500K    6500K	

LT560WH6940R – 90 CRI

PRODUCT SPECIFICATIONS	
Lumens	760
Watts	10.3
Lumens Per Watt (Efficacy)	73.79
Color Accuracy (CRI)	94
Light Color (CCT)	4000K
Correlated Color Temperature (CCT)	
warm white    soft white    bright white 2700K    3000K    4500K    6500K	

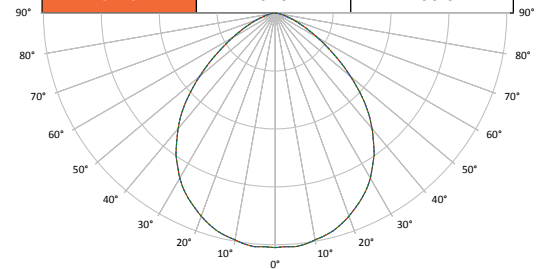
LT560WH6950R – 90 CRI

PRODUCT SPECIFICATIONS	
Lumens	780
Watts	9.5
Lumens Per Watt (Efficacy)	84.21
Color Accuracy (CRI)	95
Light Color (CCT)	5000K
Correlated Color Temperature (CCT)	
warm white    soft white    bright white 2700K    3000K    4500K    6500K	

## Photometric Data

LT56 Photometric\*

LT560WH6930R		
Luminaire lumens	698	
Input watts	10	
LER (LPW)	69.8	
Spacing Criteria	0-180	1.21
	90-270	1.21
	Diagonal	1.27
Beam angle (degrees)	93.3	
Field angle (degrees)	137.9	
Zonal lumen	Lumens	% Lumens
0-30	253	36.3
0-40	405	58.0
0-60	632	90.6
0-90	698	100.0



\* Tested in accordance with IES LM63. Field results may vary.

LT560WH6927R-CA – 91 CRI

PRODUCT SPECIFICATIONS	
Lumens	731
Watts	7.9
Lumens Per Watt (Efficacy)	92.6
Color Accuracy (CRI)	91
Light Color (CCT)	2700K
Correlated Color Temperature (CCT)	
warm white    soft white    bright white 2700K    3000K    4500K    6500K	

LT560WH6930R-CA – 91 CRI

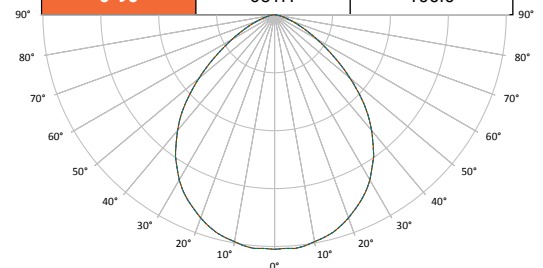
PRODUCT SPECIFICATIONS	
Lumens	746
Watts	7.8
Lumens Per Watt (Efficacy)	95.7
Color Accuracy (CRI)	91
Light Color (CCT)	3000K
Correlated Color Temperature (CCT)	
warm white    soft white    bright white 2700K    3000K    4500K    6500K	

LT560WH6950R-CA – 92 CRI

PRODUCT SPECIFICATIONS	
Lumens	846
Watts	7.9
Lumens Per Watt (Efficacy)	107.1
Color Accuracy (CRI)	92
Light Color (CCT)	5000K
Correlated Color Temperature (CCT)	
warm white    soft white    bright white 2700K    3000K    4500K    6500K	

LT56-CA Photometric\*

LT560WH6930R-CA		
Luminaire lumens	746.6	
Input watts	7.8	
LER (LPW)	95.7	
Spacing Criteria	0-180	1.21
	90-270	1.21
	Diagonal	1.27
Beam angle (degrees)	93.3	
Field angle (degrees)	137.9	
Zonal lumen	Lumens	% Lumens
0-30	241.6	37.1
0-40	381.5	58.6
0-60	585.3	89.9
0-90	651.1	100.0



\* Tested in accordance with IES LM63. Field results may vary.

## Energy Data

Lumens	600 Series
Input Voltage	120V
Input Current	0.089 (mA)
Input Power	10.4 (W)
Efficiency	Up to 73 (LPW)
Inrush (A)	
THD: ≤ 24%	
PF: ≥ 0.90	
T Ambient -30 - +40°C	
Sound Rating ≤ 23dba	

Project		Catalog #		Type	
Prepared by		Notes		Date	



# HALO

## LT56

5" & 6" All Purpose LED Retrofit Trim  
up to 750 Lumen Series  
90 CRI

### Typical Applications

Residential

### Interactive Menu

- Order Information [page 2](#)
- Product Specifications [page 3](#)
- Photometric Data [page 4](#)
- Energy & Performance Data [page 4](#)
- Product Warranty

### Product Certification



Refer to ENERGY STAR® Certified Products List.  
Can be used to comply with California Title 24 High Efficacy requirements.  
Certified to California Appliance Efficiency Database under JAS.  
**NOTE:** Due to T20 changes as of July 1<sup>st</sup> 2019 consult factory for current catalog number and availability for T20 compliant products.

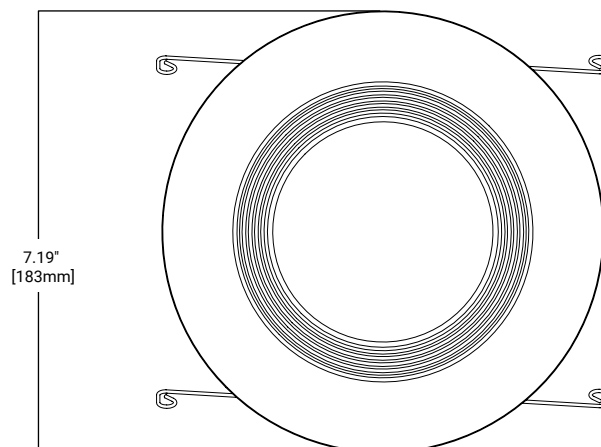
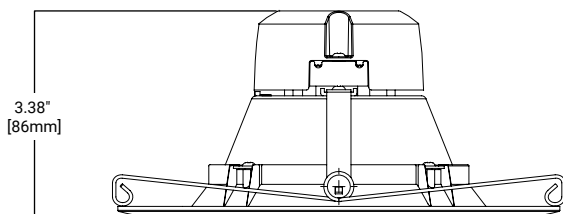
### Product Features



### Top Product Features

- ENERGY STAR® certified
- 2700K, 3000K, 3500K, 4000K, 5000K; 90CRI
- Retrofits existing 5" or 6" housings with screwbase adapter included
- Dead Front construction
- Dimmable down to 10%

### Dimensional and Mounting Details



## Order Information

SAMPLE ORDER NUMBER: **LT560WH6930R**

A complete luminaire consists of a housing and a LED integrated trim, order separately.

Module	Finish	Lumens	CRI/CCT	Packaging	T20 Compliant
Module	Finish	Lumens	CRI/CCT	Accessories	
<b>LT560</b> = 5" and 6" integrated LED trim	<b>WH</b> = matte white	<b>6</b> = 600 lumen series (nominal) <b>9</b> = 900 lumen series (nominal) See table below for details.	<b>927</b> = 90 CRI (minimum), 2700K CCT <b>930</b> = 90 CRI (minimum), 3000K CCT <b>935</b> = 90 CRI (minimum), 3500K CCT <b>940</b> = 90 CRI (minimum), 4000K CCT <b>950</b> = 90 CRI (minimum), 5000K CCT	<b>R</b> = Recyclable	<b>-CA</b> = California

### Accessories

#### Accessories

**HE26LED** = Replacement medium base (E26) screw base adapter (one included with unit)

### Housing Compatibility

#### Compatible Halo LED Housings with LED Luminaire Connector (high-efficacy compliant – Title 24)

<b>Halo LED</b> <b>H550ICAT</b> = 5" LED, Insulated Ceiling, Air-Tite, New Construction Housing <b>H550RICAT</b> = 5" LED, Insulated Ceiling, Air-Tite, Remodel Housing	<b>H750ICAT</b> = 6" LED, Insulated Ceiling, Air-Tite, New Construction Housing <b>H750RICAT</b> = 6" LED, Insulated Ceiling, Air-Tite, Remodel Housing <b>H750T</b> = 6" LED, Non-IC, Air-Tite, New Construction Housing <b>H750TCP</b> = 6" LED, Non-IC, New Construction/Remodel Chicago Plenum Housing <b>H2750ICAT</b> = 6" LED, Shallow, Insulated Ceiling, Air-Tite, New Construction (use with 691X, 694X, 696X trims only) <b>H2750RICAT</b> = 6" LED, Shallow, Insulated Ceiling, Air-Tite, Remodel (use with 691X, 694X, 696X trims only)
---	---

### Housing Compatibility

#### Halo LED Retrofit Enclosures

**Halo LED Retrofit Enclosures**  
**ML7BXRFK** = 6" Retrofit Enclosure, Non-IC, BX Whip  
**ML7E26RFK** = 6" Retrofit Enclosure, Non-IC, E26 Screw base Interface

### Housing Compatibility

#### Halo LED Retrofit Enclosures

<b>Halo LED Retrofit Enclosures</b> <b>H5ICAT</b> = 5" Insulated Ceiling, Air-Tite New Construction Housing <b>H5ICATNB</b> = 5" Insulated Ceiling, Air-Tite New Construction Housing, No Socket Bracket <b>H5RICAT</b> = 5" Insulated Ceiling, Air-Tite Remodel Housing <b>H5T</b> = 5" Non-IC, New Construction Housing <b>H5TNB</b> = 5" Non-IC, New Construction Housing, No Socket Bracket <b>H5RT</b> = 5" Non-IC, Remodel Housing <b>H5TM</b> = 5" Hi-Lumen All Purpose LED Retrofit Trim <b>H25ICAT</b> = 5" Shallow, Insulated Ceiling, Air-Tite New Construction <b>H25ICATNB</b> = 5" Shallow, Insulated Ceiling, Air-Tite New Construction, No Socket Bracket <b>E5ICAT</b> = 5" Insulated Ceiling, Air-Tite New Construction Housing <b>E5ICATNB</b> = 5" Insulated Ceiling, Air-Tite New Construction Housing, No Socket Bracket <b>E5RICAT</b> = 5" Insulated Ceiling, Air-Tite Remodel Housing <b>E5RTAT</b> = 5" Non-IC, Remodel Housing <b>E5TAT</b> = 5" Non-IC, New Construction Housing <b>E5TATNB</b> = 5" Non-IC, New Construction Housing, No Socket Bracket	<b>H7ICAT</b> = 6" Hi-Lumen All Purpose LED Retrofit Trim <b>HH7RICAT</b> = 6" Hi-Lumen All Purpose LED Retrofit Trim <b>H7ICT</b> = 6" Hi-Lumen All Purpose LED Retrofit Trim <b>H7RICT</b> = 6" Hi-Lumen All Purpose LED Retrofit Trim <b>H7ICATNB</b> = 6" Hi-Lumen All Purpose LED Retrofit Trim <b>H7ICTNB</b> = 6" Hi-Lumen All Purpose LED Retrofit Trim <b>H7T</b> = 6" Hi-Lumen All Purpose LED Retrofit Trim <b>H7RT</b> = 6" Hi-Lumen All Purpose LED Retrofit Trim <b>H7TNB</b> = 6" Hi-Lumen All Purpose LED Retrofit Trim <b>H7TCP</b> = 6" Hi-Lumen All Purpose LED Retrofit Trim <b>H7UICAT</b> = 6" Hi-Lumen All Purpose LED Retrofit Trim <b>H7UICATNB</b> = 6" Hi-Lumen All Purpose LED Retrofit Trim <b>H27ICAT</b> = 6" Hi-Lumen All Purpose LED Retrofit Trim <b>H27RICAT</b> = 6" Hi-Lumen All Purpose LED Retrofit Trim <b>HH27RICT</b> = 6" Hi-Lumen All Purpose LED Retrofit Trim <b>H27T</b> = 6" Hi-Lumen All Purpose LED Retrofit Trim <b>H27RT</b> = 6" Hi-Lumen All Purpose LED Retrofit Trim <b>E27ICAT</b> = 6" Hi-Lumen All Purpose LED Retrofit Trim <b>E27RICAT</b> = 6" Hi-Lumen All Purpose LED Retrofit Trim <b>E27RTAT</b> = 6" Hi-Lumen All Purpose LED Retrofit Trim <b>E27TAT</b> = 6" Hi-Lumen All Purpose LED Retrofit Trim <b>E7ICAT</b> = 6" Hi-Lumen All Purpose LED Retrofit Trim <b>E7ICATNB</b> = 6" Hi-Lumen All Purpose LED Retrofit Trim <b>E7RICAT</b> = 6" Hi-Lumen All Purpose LED Retrofit Trim <b>E7RTAT</b> = 6" Hi-Lumen All Purpose LED Retrofit Trim <b>E7TAT</b> = 6" Hi-Lumen All Purpose LED Retrofit Trim <b>E7TATNB</b> = 6" Hi-Lumen All Purpose LED Retrofit Trim
---	---

## Order Information Continued

## Housing Compatibility

## Compatible All-Pro Incandescent E26 Screwbase Housings

**Compatible All-Pro Incandescent E26 Screwbase Housings**

**EI500AT** = 5" All-Pro Hi-Lumen All Purpose LED Retrofit Trim  
**EI500RAT** = 5" All-Pro Hi-Lumen All Purpose LED Retrofit Trim  
**ET500** = 5" All-Pro Hi-Lumen All Purpose LED Retrofit Trim  
**ET500R** = 5" All-Pro Hi-Lumen All Purpose LED Retrofit Trim

**EI700AT** = 6" All-Pro Hi-Lumen All Purpose LED Retrofit Trim  
**EI700RAT** = 6" All-Pro Hi-Lumen All Purpose LED Retrofit Trim  
**EI700** = 6" All-Pro Hi-Lumen All Purpose LED Retrofit Trim  
**EI700R** = 6" All-Pro Hi-Lumen All Purpose LED Retrofit Trim  
**EI700ATNB** = 6" All-Pro Hi-Lumen All Purpose LED Retrofit Trim  
**EI700NB** = 6" All-Pro Hi-Lumen All Purpose LED Retrofit Trim  
**EI700U** = 6" All-Pro Hi-Lumen All Purpose LED Retrofit Trim  
**EI700UAT** = 6" All-Pro Hi-Lumen All Purpose LED Retrofit Trim  
**ET700** = 6" All-Pro Hi-Lumen All Purpose LED Retrofit Trim  
**ET700R** = 6" All-Pro Hi-Lumen All Purpose LED Retrofit Trim  
**EI2700AT** = 6" All-Pro Hi-Lumen All Purpose LED Retrofit Trim  
**EI2700R** = 6" All-Pro Hi-Lumen All Purpose LED Retrofit Trim  
**EI2700** = 6" All-Pro Hi-Lumen All Purpose LED Retrofit Trim  
**EI2700R** = 6" All-Pro Hi-Lumen All Purpose LED Retrofit Trim  
**ET2700** = 6" All-Pro Hi-Lumen All Purpose LED Retrofit Trim  
**ET2700R** = 6" All-Pro Hi-Lumen All Purpose LED Retrofit Trim

**LT56 Series LED Retrofit is UL Classified for retrofit in the following 5/6" recessed housings:**

The LT Series LED light module - trim combination is cULus Listed or UL Classified for use with any 5"/6" diameter recessed housing constructed of steel or aluminum with an internal volume that exceeds 107.9 in<sup>3</sup> in addition to those noted above.

## Specification Features

**Module**

- Field interchangeable and upgradable LED module consists of LED array, optical assembly, driver and baffle style self-flanged trim
- Integral aluminum heat sink provides passive thermal cooling achieving L70 at 35,000 hours in IC and non-IC applications

**Gaskets**

- Closed cell gasket achieves restrictive airflow requirements without additional caulking

**LED Array**

- A plurality of low power LEDs provide a uniform source with high efficiency and long life
- Available in 90 CRI minimum, R9 greater than 50 and color accuracy within 4 SDCM provide color accuracy and uniformity
- Available in 2700, 3000, 3500, 4000 and 5000K CCT color temperatures

**Optical Assembly**

- Optical assembly provides wide distribution useful for general and task lighting
- Diffuse injection molded lens with contoured profile provides uniformity and a familiar lamp like appearance
- Meets ENERGY STAR® color angular uniformity requirements

**Driver**

- Integral 120V 60 Hz constant current driver provides high efficiency operation
- Continuous, flicker-free dimming from 100% to 10% with select leading or trailing edge 120V phase cut dimmers – consult dimming guide for more information
- Consult dimmer manufacturer for compatibility and conditions of use
- Inline electrical quick connect and E26 adapter (provided) provides mains connection

**Retention**

- Preinstalled torsion springs hold module securely to the housing
- Ships with torsion springs set in the 6" position, adjusts to 5" position with Philips drive locking screws

**Trim**

- One-piece step baffle and self-flanged trim ring provides lens regression and reduces light leaks
- Injection molded plastic construction is impact resistant and non-corrosive
- Non-conductive construction meets most local code 'dead front' requirements

**Compliance**

- cULus listed for use with Halo housings, classified for use with other's housings, see instruction sheet for conditions of acceptability
- Wet location listed and IP66 ingress protection rated
- Airtight per ASTM-E283
- Suitable for use in clothes closets when installed in accordance with the NEC 410.16 spacing requirements
- EMI/RFI emissions per FCC 47CFR Part 15 consumer limits
- Contains no mercury or lead and RoHS compliant
- Photometric testing in accordance with IES LM-79-08
- Lumen maintenance projections in accordance with IES LM-80-08 and TM-21-11
- Can be used for State of California Title 24 high efficacy luminaire compliance, reference the California Energy Commission Title 20 Appliance Efficiency Database for current listings
- ENERGY STAR® listed, reference database for current listings
- Meets State of California voluntary lamp standards
- Lighting Facts labeled

**Warranty**

- Five year limited warranty, consult website for details. [www.cooperlighting.com](http://www.cooperlighting.com)

## Product Specifications

LT560WH6927R – 90 CRI

PRODUCT SPECIFICATIONS	
Lumens	720
Watts	9.5
Lumens Per Watt (Efficacy)	75.79
Color Accuracy (CRI)	91
Light Color (CCT)	2700K
Correlated Color Temperature (CCT)	
warm white    soft white    bright white	

LT560WH6930R – 90 CRI

PRODUCT SPECIFICATIONS	
Lumens	750
Watts	9.5
Lumens Per Watt (Efficacy)	78.95
Color Accuracy (CRI)	90
Light Color (CCT)	3000K
Correlated Color Temperature (CCT)	
warm white    soft white    bright white	

LT560WH6935R – 90 CRI

PRODUCT SPECIFICATIONS	
Lumens	760
Watts	9.6
Lumens Per Watt (Efficacy)	79.17
Color Accuracy (CRI)	91
Light Color (CCT)	3500K
Correlated Color Temperature (CCT)	
warm white    soft white    bright white	

LT560WH6940R – 90 CRI

PRODUCT SPECIFICATIONS	
Lumens	760
Watts	10.3
Lumens Per Watt (Efficacy)	73.79
Color Accuracy (CRI)	94
Light Color (CCT)	4000K
Correlated Color Temperature (CCT)	
warm white    soft white    bright white	

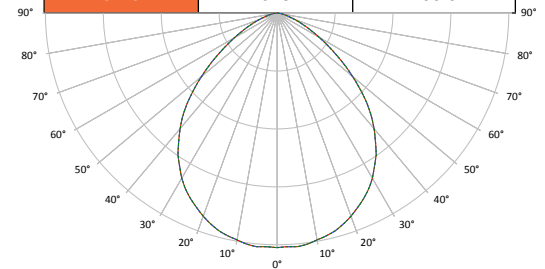
LT560WH6950R – 90 CRI

PRODUCT SPECIFICATIONS	
Lumens	780
Watts	9.5
Lumens Per Watt (Efficacy)	84.21
Color Accuracy (CRI)	95
Light Color (CCT)	5000K
Correlated Color Temperature (CCT)	
warm white    soft white    bright white	

## Photometric Data

LT56 Photometric\*

LT560WH6930R		
Luminaire lumens	698	
Input watts	10	
LER (LPW)	69.8	
Spacing Criteria	0-180	1.21
	90-270	1.21
	Diagonal	1.27
Beam angle (degrees)	93.3	
Field angle (degrees)	137.9	
Zonal lumen	Lumens	% Lumens
0-30	253	36.3
0-40	405	58.0
0-60	632	90.6
0-90	698	100.0



\* Tested in accordance with IES LM63. Field results may vary.

LT560WH6927R-CA – 91 CRI

PRODUCT SPECIFICATIONS	
Lumens	731
Watts	7.9
Lumens Per Watt (Efficacy)	92.6
Color Accuracy (CRI)	91
Light Color (CCT)	2700K
Correlated Color Temperature (CCT)	
warm white    soft white    bright white	

LT560WH6930R-CA – 91 CRI

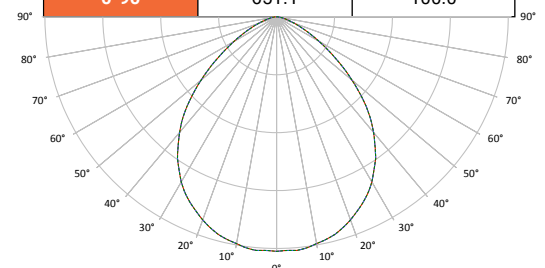
PRODUCT SPECIFICATIONS	
Lumens	746
Watts	7.8
Lumens Per Watt (Efficacy)	95.7
Color Accuracy (CRI)	91
Light Color (CCT)	3000K
Correlated Color Temperature (CCT)	
warm white    soft white    bright white	

LT560WH6950R-CA – 92 CRI

PRODUCT SPECIFICATIONS	
Lumens	846
Watts	7.9
Lumens Per Watt (Efficacy)	107.1
Color Accuracy (CRI)	92
Light Color (CCT)	5000K
Correlated Color Temperature (CCT)	
warm white    soft white    bright white	

LT56-CA Photometric\*

LT560WH6930R-CA		
Luminaire lumens	746.6	
Input watts	7.8	
LER (LPW)	95.7	
Spacing Criteria	0-180	1.21
	90-270	1.21
	Diagonal	1.27
Beam angle (degrees)	93.3	
Field angle (degrees)	137.9	
Zonal lumen	Lumens	% Lumens
0-30	241.6	37.1
0-40	381.5	58.6
0-60	585.3	89.9
0-90	651.1	100.0



\* Tested in accordance with IES LM63. Field results may vary.

## Energy Data

Lumens	600 Series
Input Voltage	120V
Input Current	0.089 (mA)
Input Power	10.4 (W)
Efficiency	Up to 73 (LPW)
Inrush (A)	
THD: ≤ 24%	
PF: ≥ 0.90	
T Ambient -30 - +40°C	
Sound Rating ≤ 23dba	