

# Low Voltage Mounting Brackets

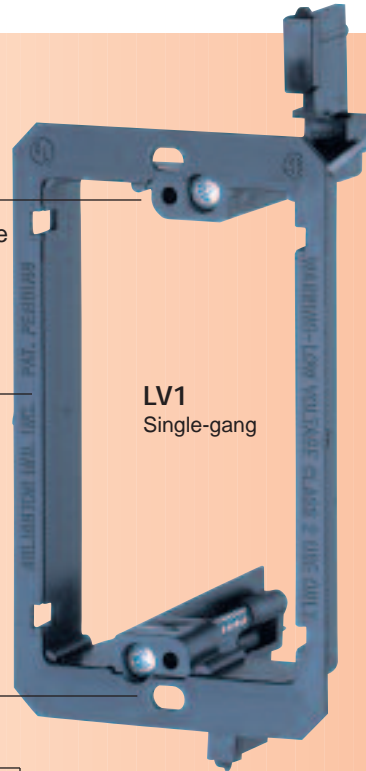
*For Low Voltage Class 2 wiring in EXISTING CONSTRUCTION*

**Recessed Screw Hole**  
Seats wall plate flush with wall surface

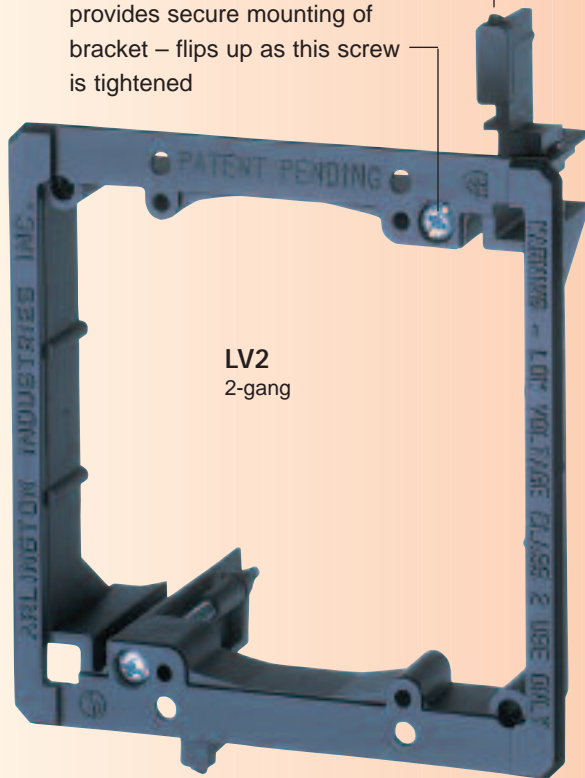
**Thin Front Lip**  
Seats better on drywall –  
Keeps wall plate flush to wall

**Oval Hole**  
Allows lining-up and final  
straightening or shifting of device

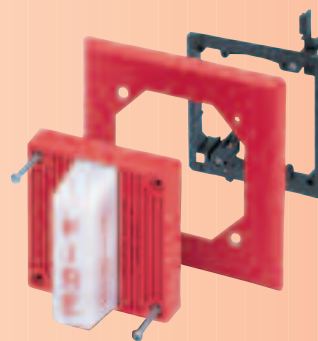
**Wing Design**  
provides secure mounting of  
bracket – flips up as this screw  
is tightened



LV1  
Single-gang



LV2  
2-gang



LV2 for the  
installation of  
fire alarms in  
existing construction

Arlington's non-metallic, Low Voltage Mounting Brackets are the time and money-saving solution for faster and easier mounting of Class 2 communications, computer and cable TV wiring.

Designed to mount wall plates flush, LV1 and LV2 mounting brackets offer features – specially designed screw holes and more (shown left) – that deliver a better-looking, easy to install job.

- Adjusts to fit 1/4" to 1" thick wall board, paneling or drywall
- Bracket is its own template for cut out
- Horizontal or vertical mounting
- UL, CSA Listed

Catalog Number	UPC/DEI/NAED Mfg. #018997	Description	Unit Pkg	Std Pkg
LV1	58175	Single gang	10	100
LV2	10952	2-gang	5	50
for Existing Construction				

*Installs faster than metal – costs less too!*



**Arlington**

1 Stauffer Industrial Park  
Scranton, PA 18517  
800/233.4717  
Fax 570/562.0646  
www.aifittings.com

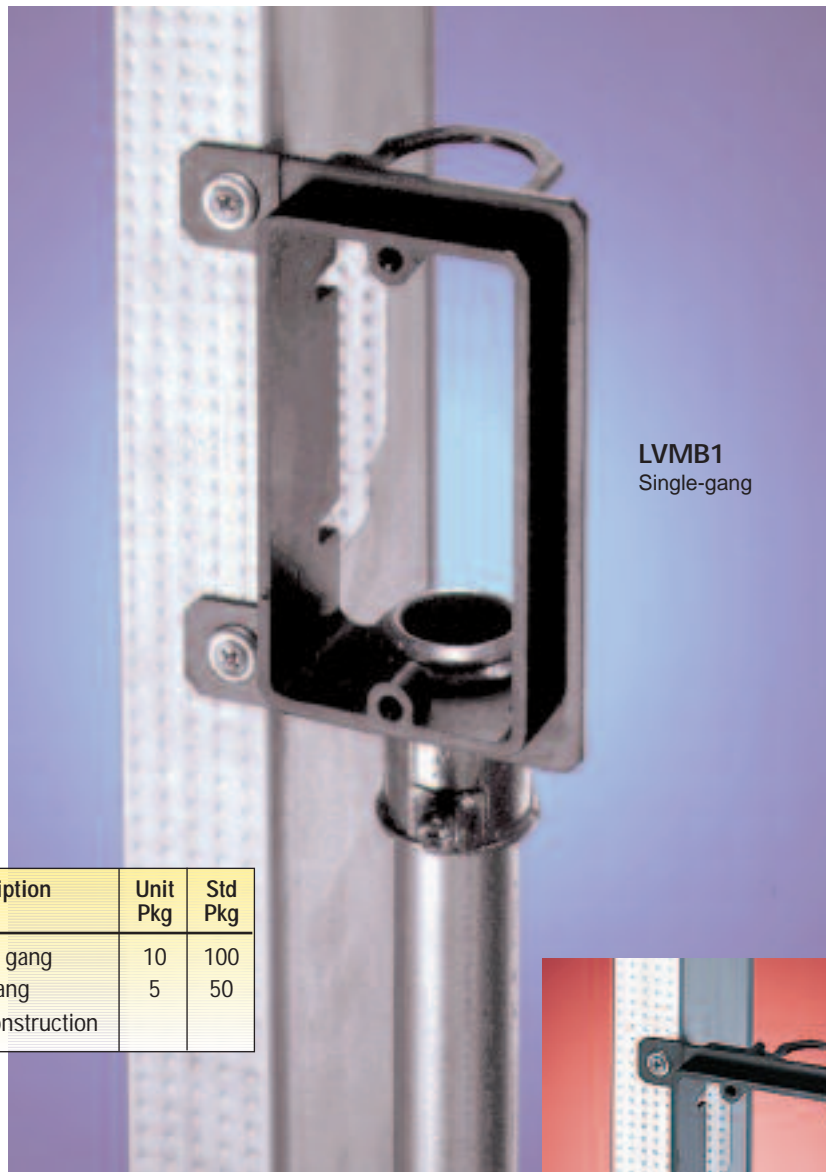
# Low Voltage Mounting Brackets

*For Low Voltage, Class 2 wiring in NEW CONSTRUCTION*

Arlington's non-metallic, Low Voltage Mounting Brackets are the time and money-saving solution for fast, easy and secure mounting of Class 2 wiring.

Designed for new construction, **LVMB1** and **LVMB2** mounting brackets allow you to install communications wiring without an electrical box.

- Works with 1/2" or 5/8" drywall
- Permits the use of 3/4" EMT
- Made of non-conductive, smooth plastic that prevents damage to cable
- UL and CSA Listed

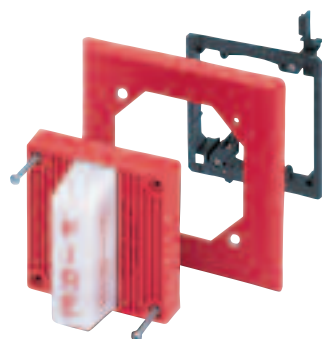


**LVMB1**  
Single-gang

Catalog Number	UPC/DEI/NAED Mfg. #018997	Description	Unit Pkg	Std Pkg
<b>LVMB1</b>	14360	Single gang	10	100
<b>LVMB2</b>	14362	2-gang for New Construction	5	50



**LVMB2**  
2-gang



**LVMB2 for the installation of fire alarms in new construction**

Distributed by

Patented. LV1/LVMB1 1006/15M



**Arlington**  
1 Stauffer Industrial Park  
Scranton, PA 18517  
800/233.4717  
Fax 570/562.0646  
www.aifittings.com

# Low Voltage Mounting Brackets

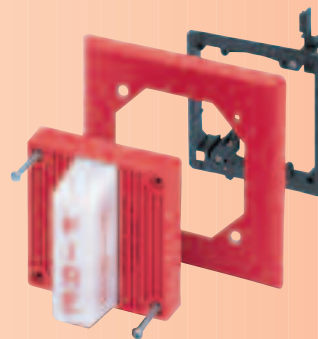
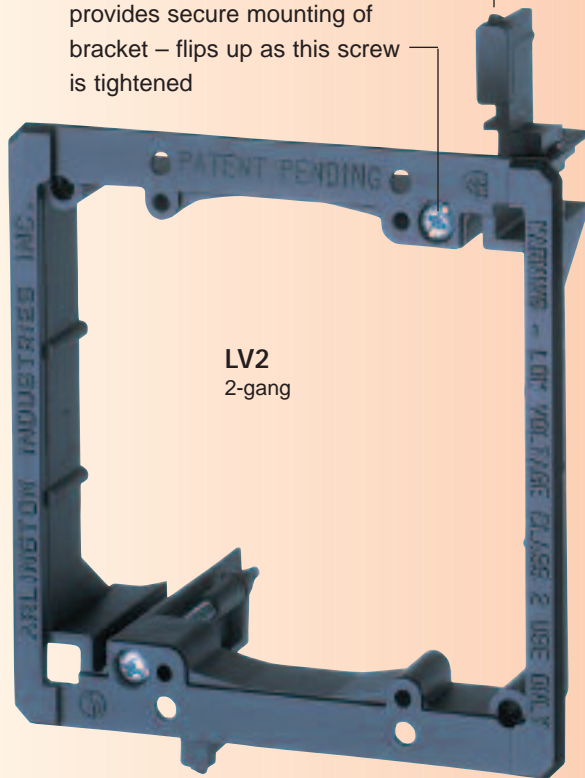
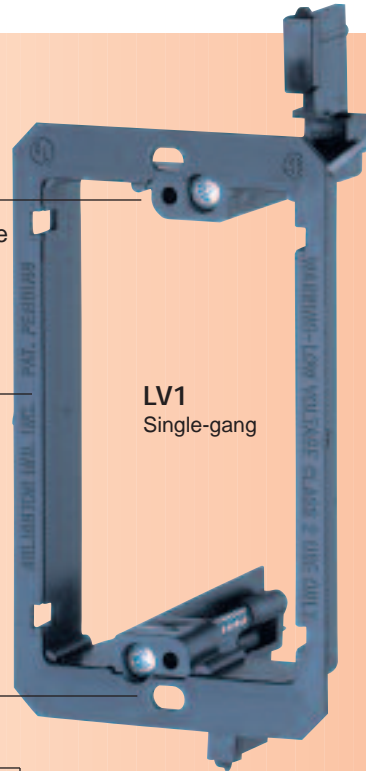
For Low Voltage Class 2 wiring in *EXISTING CONSTRUCTION*

**Recessed Screw Hole**  
Seats wall plate flush with wall surface

**Thin Front Lip**  
Seats better on drywall –  
Keeps wall plate flush to wall

**Oval Hole**  
Allows lining-up and final  
straightening or shifting of device

**Wing Design**  
provides secure mounting of  
bracket – flips up as this screw  
is tightened



*LV2 for the  
installation of  
fire alarms in  
existing construction*

Arlington's non-metallic, Low Voltage Mounting Brackets are the time and money-saving solution for faster and easier mounting of Class 2 communications, computer and cable TV wiring.

Designed to mount wall plates flush, **LV1** and **LV2** mounting brackets offer features – specially designed screw holes and more (shown left) – that deliver a better-looking, easy to install job.

- Adjusts to fit 1/4" to 1" thick wall board, paneling or drywall
- Bracket is its own template for cut out
- Horizontal or vertical mounting
- UL, CSA Listed

Catalog Number	UPC/DEI/NAED Mfg. #018997	Description	Unit Pkg	Std Pkg
<b>LV1</b>	58175	Single gang	10	100
<b>LV2</b>	10952	2-gang	5	50
for Existing Construction				

*Installs faster than  
metal – costs less too!*



**Arlington**

1 Stauffer Industrial Park  
Scranton, PA 18517  
800/233.4717  
Fax 570/562.0646  
[www.aifittings.com](http://www.aifittings.com)



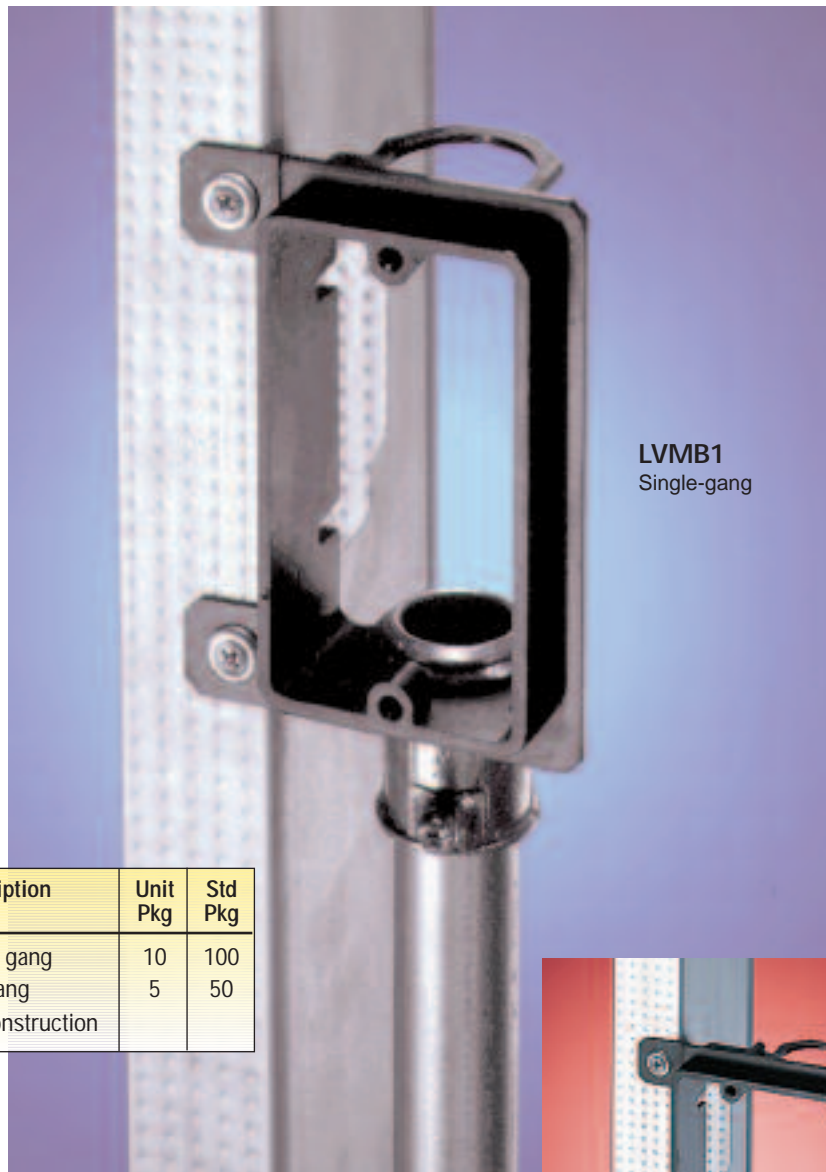
# Low Voltage Mounting Brackets

*For Low Voltage, Class 2 wiring in NEW CONSTRUCTION*

Arlington's non-metallic, Low Voltage Mounting Brackets are the time and money-saving solution for fast, easy and secure mounting of Class 2 wiring.

Designed for new construction, **LVMB1** and **LVMB2** mounting brackets allow you to install communications wiring without an electrical box.

- Works with 1/2" or 5/8" drywall
- Permits the use of 3/4" EMT
- Made of non-conductive, smooth plastic that prevents damage to cable
- UL and CSA Listed

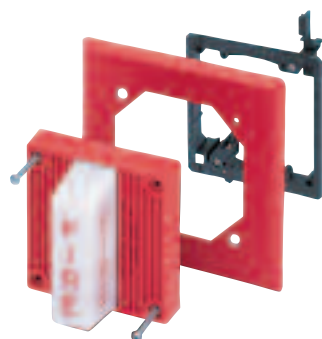


**LVMB1**  
Single-gang

Catalog Number	UPC/DEI/NAED Mfg. #018997	Description	Unit Pkg	Std Pkg
<b>LVMB1</b>	14360	Single gang	10	100
<b>LVMB2</b>	14362	2-gang for New Construction	5	50



**LVMB2**  
2-gang



**LVMB2 for the installation of fire alarms in new construction**

Distributed by

Patented. LV1/LVMB1 1006/15M



**Arlington**  
1 Stauffer Industrial Park  
Scranton, PA 18517  
800/233.4717  
Fax 570/562.0646  
www.aifittings.com