

COLT MINI

MINI LED BULLET

tradeSELECT™

FEATURES

- Capable of replacing 50w or 70w HID, 100w incandescent or 84w CFL luminaires
- Mounting versatility: 7" stake with 8" SO cord and ½" 14 NPT threaded mounting box for box or pipe mounting
- Provides even NEMA 6 x 6 wide floodlight distribution
- Listed to UL1598 for use in wet locations
- NEMA 3R



6.75" STAKE INCLUDED



SPECIFICATIONS

CONSTRUCTION

- Cast aluminum construction with heat dissipating fins on side of housing
- Textured tempered glass lens
- Two mounting capabilities:
 - 1/2" 14 NPT threaded mounting for box or pipe mounting
 - 6.75" stake with 8" SO cord for landscape swivel for easy adjustment
- Adjustable swivel for easy aiming
- Dark bronze corrosion resistant powder coat paint finish
- Operating Temperature: -30°C to 40°C

ELECTRICAL

- 1 AC powdered chip on board LED
- 3000K
- 83 CRI
- 120V
- 50/60HZ
- 13.2w
- 2.5KV surge protection
- Compatible with ELV (trailing edge phase cut dimmers)

CERTIFICATIONS

- Listed to UL1598 for use in wet locations
- NEMA 3R
- IP65

WARRANTY

- 5 Year warranty

ORDERING INFORMATION

Catalog Number	Wattage	Voltage	Beam	Lumens	LPW	CCT	Weight lbs. (kg)
LED - Wet Locations Listed - Universal Aiming							
MBUL-1L3K-1	13.2W	120V	6x6	1115	84.5	3000K/83	2 (0.9)

KEY DATA	
Lumen Range	1115
Wattage	13.2
Efficacy Range (LPW)	84.5
Weight lbs. (kg)	2 (0.9)

COLT MINI

MINI LED BULLET

DATE: _____ LOCATION: _____
 TYPE: _____ PROJECT: _____
 CATALOG #: _____

PERFORMANCE DATA

SERIES NUMBER	SYSTEM WATTS	DISTRIBUTION TYPE	CCT (83 CRI)	LUMENS	LPW	MAX CANDLE POWER
MBUL-13K-1	13.2W	6x6	3000K	1115	84.5	777

Lumen values are from photometric test performed in accordance with IESNA LM-79-08. Data is considered to be representative of the configurations shown. Actual performance may differ as a result of end-user environment application and inherent performance balances of the electrical components.

PROJECTED LUMEN MAINTENANCE

Ambient Temp.	OPERATING HOURS					L70 Calculated (hours)
	0	25,000	50,000	TM-21-111 L96 60,000	100,000	
25°C / 77°F	1.00	0.90	0.31	0.79	0.65	> 83,000
40°C / 104°F	1.00	0.88	0.78	0.76	0.61	> 72,000

1. Projected per IESNA TM-21-11 *
 Data references the extrapolated performance projections for the base model in a 40°C ambient, based on 10,000 hours of LED testing per IESNA LM-80-08

LUMINAIRE AMBIENT TEMPERATURE FACTOR (LATF)

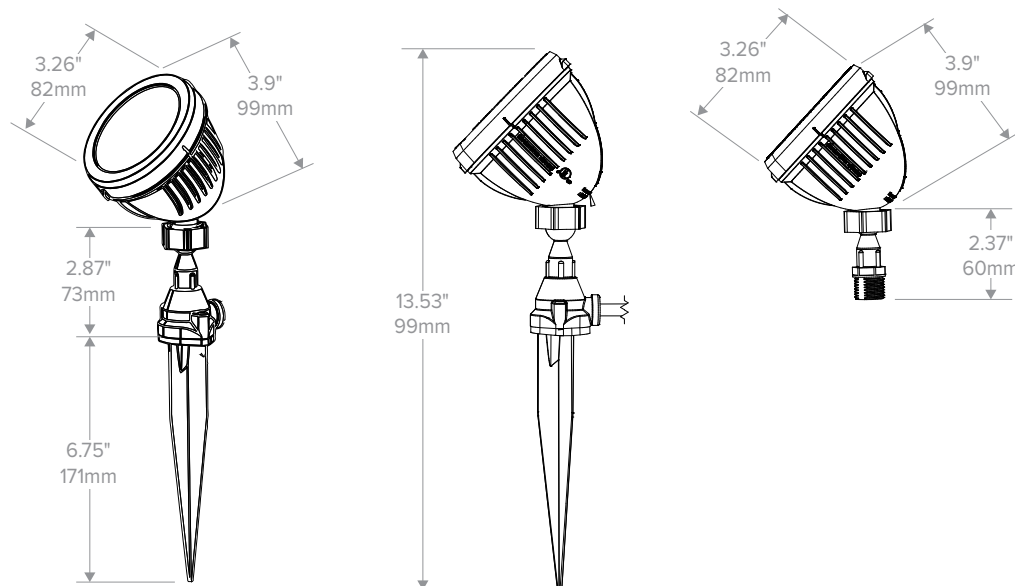
AMBIENT TEMPERATURE		LUMEN MULTIPLIER
0° C	32° F	1.06
10° C	50° F	1.04
20° C	68° F	1.02
25° C	77° F	1.00
30° C	86° F	0.98
40° C	104° F	0.95
50° C	122° F	0.91

Use these factors to determine relative lumen output for average ambient temperatures from 0-40°C (32-104°F).

ELECTRICAL DATA

# OF LEDS	DRIVE CURRENT (mA)	INPUT VOLTAGE (V)	CURRENT (Amps)	SYSTEM POWER (w)
1	20	120	0.11	13.2

DIMENSIONS



COLT MINI

MINI LED BULLET

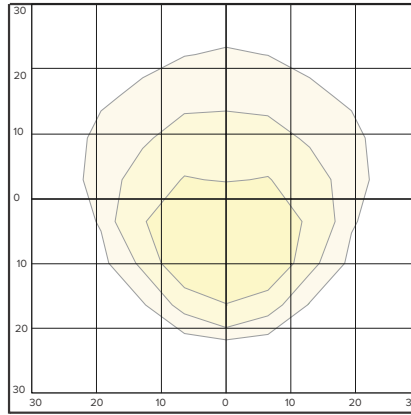
PHOTOMETRY

MBUL-1L3K-1

LUMINAIRE DATA

Description	3000 Kelvin, 84.5 CRI
Distribution Type	Wide
Delivered Lumens	1115
Watts	13.2
Efficacy	84.5
Mounting	Ground

ISOMETRIC FOOTCANDLE



45 TILT 10' SET BACK

- 2.0 FC
- 1.0 FC
- .5 FC