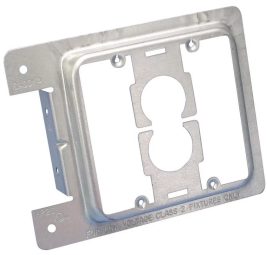




## LOW VOLTAGE MOUNTING PLATE FOR NEW CONSTRUCTION, 2 GANG

### CATALOG NUMBER

**MP2S**



### CERTIFICATIONS



### FEATURES

- Provides a bracket for mounting low voltage Class 2 communication outlets
- Reduces bulges in the dry wall caused by plaster rings
- May be installed to the front or the side of the metal or wood stud
- Side support provides for a rigid installation
- Attaches with self-tapping screws or nails
- Works with wood or metal studs

### PRODUCT ATTRIBUTES

- Material: Steel
- Finish: Pregalvanized
- Gang: 2
- Drywall Thickness: 1/2" - 5/8"
- Height (H): 4 1/2"
- Width (W): 5.8"
- A: 2.67"
- Hole Size 1 (HS1): 0.16"

Hole Size 2 (HS2): 0.19"

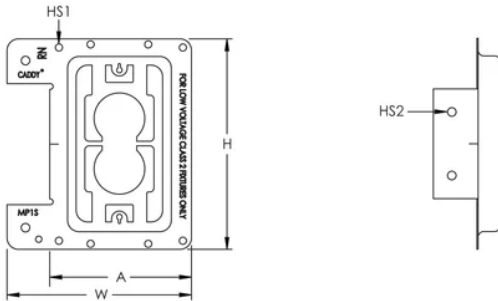
## ADDITIONAL PRODUCT DETAILS

---

No load rating, for positioning only.

## DIAGRAMS

---



## WARNING

---

nVent products shall be installed and used only as indicated in nVent's product instruction sheets and training materials. Instruction sheets are available at [www.nvent.com](http://www.nvent.com) and from your nVent customer service representative. Improper installation, misuse, misapplication or other failure to completely follow nVent's instructions and warnings may cause product malfunction, property damage, serious bodily injury and death and/or void your warranty.

### North America

+1.800.753.9221  
Option 1 – Customer Care  
Option 2 – Technical Support

### Europe

Netherlands:  
+31 800-0200135  
France:  
+33 800 901 793

### Europe

Germany:  
800 1890272  
Other Countries:  
+31 13 5835404

### APAC

Shanghai:  
+ 86 21 2412 1618/19  
Sydney:  
+61 2 9751 8500



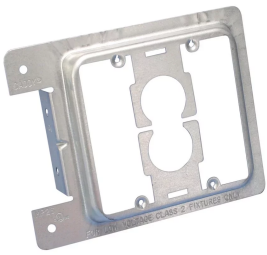
Our powerful portfolio of brands:  
nVent.com **CADDY ERICO HOFFMAN RAYCHEM SCHROFF**  
**TRACER**



## LOW VOLTAGE MOUNTING PLATE FOR NEW CONSTRUCTION, 2 GANG

### CATALOG NUMBER

**MP2S**



### CERTIFICATIONS



### FEATURES

- Provides a bracket for mounting low voltage Class 2 communication outlets
- Reduces bulges in the dry wall caused by plaster rings
- May be installed to the front or the side of the metal or wood stud
- Side support provides for a rigid installation
- Attaches with self-tapping screws or nails
- Works with wood or metal studs

### PRODUCT ATTRIBUTES

- Material: Steel
- Finish: Pregalvanized
- Gang: 2
- Drywall Thickness: 1/2" - 5/8"
- Height (H): 4 1/2"
- Width (W): 5.8"
- A: 2.67"
- Hole Size 1 (HS1): 0.16"

Hole Size 2 (HS2): 0.19"

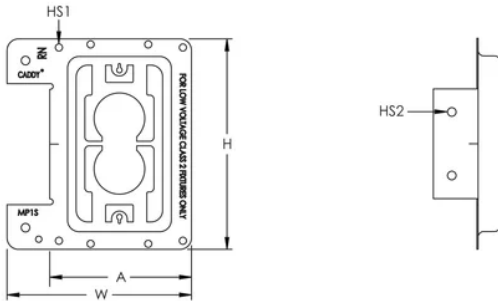
## ADDITIONAL PRODUCT DETAILS

---

No load rating, for positioning only.

## DIAGRAMS

---



## WARNING

---

nVent products shall be installed and used only as indicated in nVent's product instruction sheets and training materials. Instruction sheets are available at [www.nvent.com](http://www.nvent.com) and from your nVent customer service representative. Improper installation, misuse, misapplication or other failure to completely follow nVent's instructions and warnings may cause product malfunction, property damage, serious bodily injury and death and/or void your warranty.

### North America

+1.800.753.9221  
Option 1 – Customer Care  
Option 2 – Technical Support

### Europe

Netherlands:  
+31 800-0200135  
France:  
+33 800 901 793

### Europe

Germany:  
800 1890272  
Other Countries:  
+31 13 5835404

### APAC

Shanghai:  
+ 86 21 2412 1618/19  
Sydney:  
+61 2 9751 8500



Our powerful portfolio of brands:  
nVent.com **CADDY ERICO HOFFMAN RAYCHEM SCHROFF**  
**TRACER**