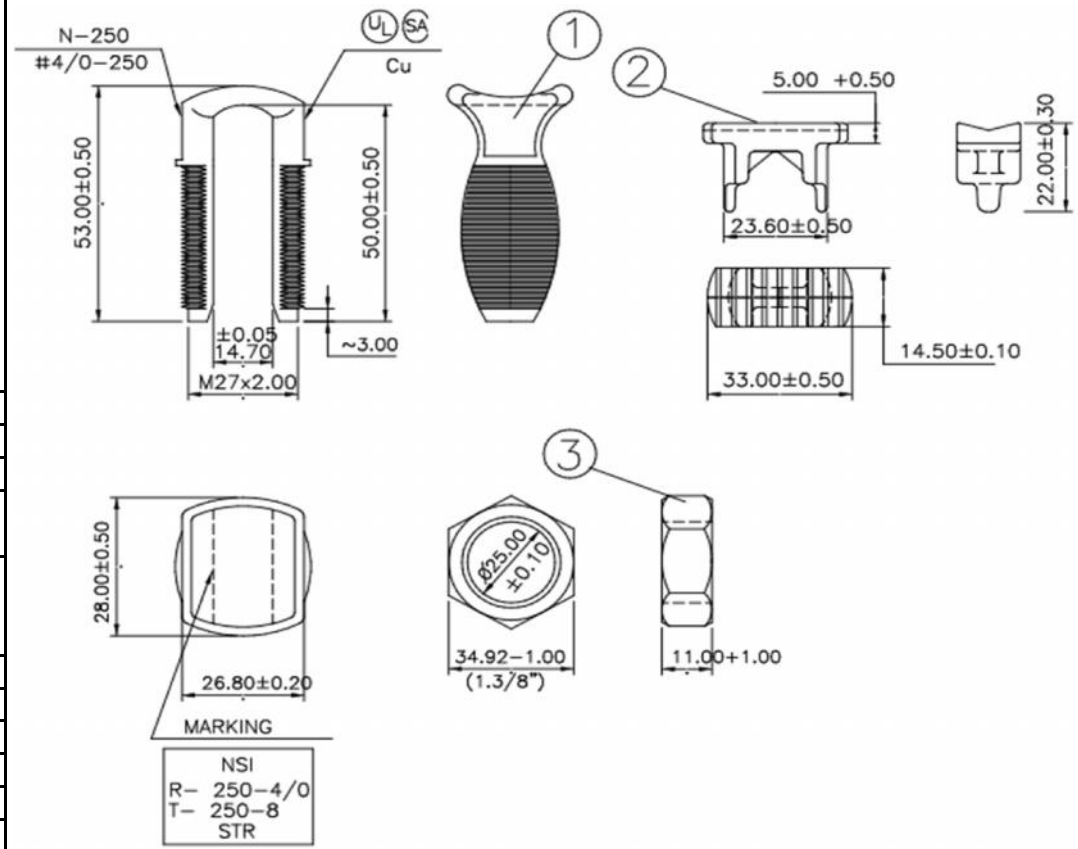


Copper Split Bolts - N-250



Drawn - SD

Approved - KM

Material - Copper

Title - Copper Split Bolts



Max Run To Max Tap	250 - 250 STR	
Min Run To Min Tap	4/0 - 8 STR	
Max Run To Min Tap	250 - 8 STR	
Min Equal Run - Tap	1 - 1 STR	
3	Nut	Bronze
2	Rider	Bronze
1	Body	Electrolytical Copper