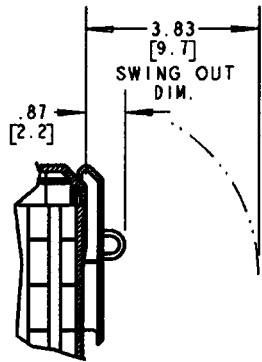
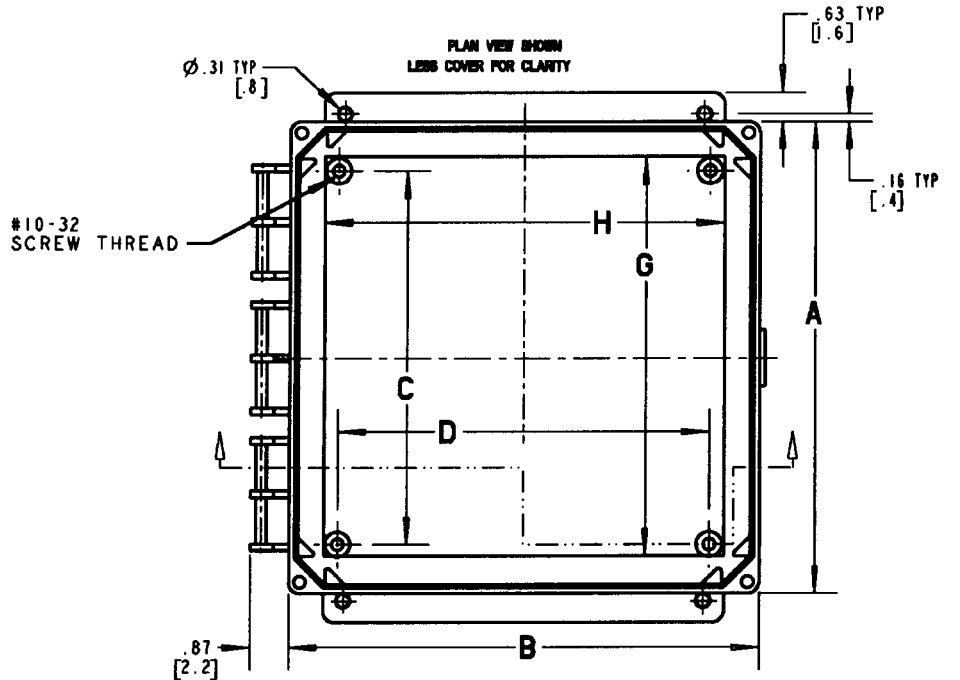
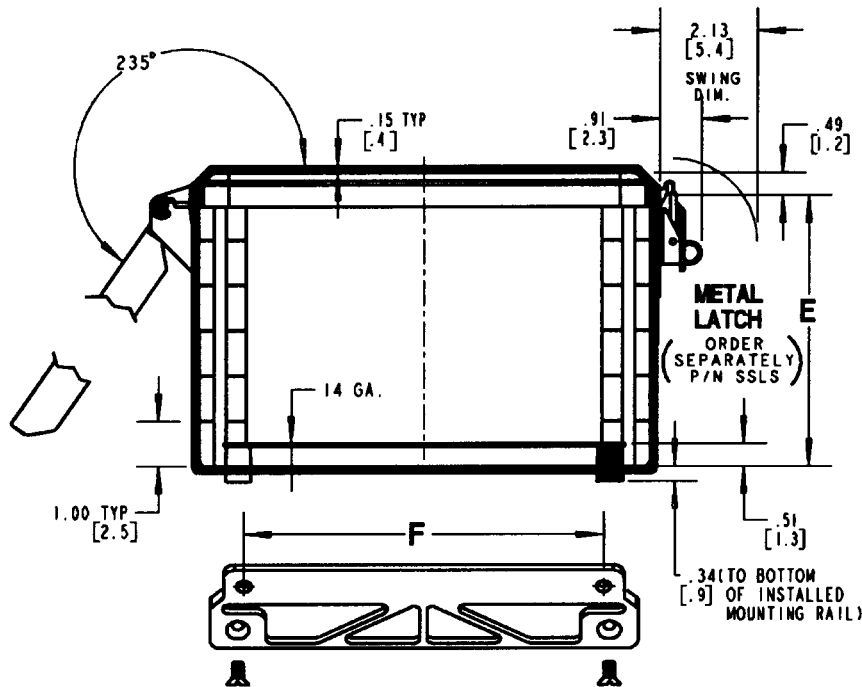


# Carlton



**PLASTIC LATCH**  
(ORDER SEPARATELY)  
P/N MPLIS



**LEGEND EXAMPLE**

N C 644  
ENCLOSURE SIZE  
COVER TYPE  
C=CLEAR COVER WO/LATCH  
J=OPAQUE COVER WO/LATCH  
NEMA TYPE 1-3-3S-12-4/4X

**GENERAL NOTES**

- ALL DIMENSIONS ARE FOR REFERENCE ONLY.
- DIMENSIONS IN BRACKETS [ ] ARE IN METRIC UNITS.

**REVISIONS**

\*\* SEE ERN ( \*\*\*\* ) FOR APPROVAL SIGNATURES & RELEASE DATE.  
PROJECT NO: \*\*\*\*

PROJECT # ERN #  
5AM91009 (2010997)

**Thomas & Betts**  
www.tnb.com

DESCRIPTION: **EXTERNAL HINGE ENCLOSURES (NC/NJ SERIES)**

ORIGINAL PROJECT NO / ( ERN NO )	SHEET NO:	REV. NO:	DRAWING NO:
/ / )	1 OF 2	E	WSD-AC02093

# Carlton

SIZE	BACK PANEL	
	G	H
JP64	4.88 (124.0)	2.88 (73.2)
JP66	4.88 (124.0)	4.88 (124.0)
JP86	6.75 (171.5)	4.88 (124.0)
JP88	6.75 (171.5)	6.88 (174.8)
JP108	8.75 (222.3)	6.88 (174.8)
JP1010	8.75 (222.3)	8.88 (225.6)
JP1210	10.75 (273.1)	8.88 (225.6)
JP1212	10.75 (273.1)	10.88 (276.4)
JP1412	12.75 (323.9)	10.88 (276.4)
JP1614	14.75 (374.6)	12.88 (327.2)

### LEGEND EXAMPLE

**N C 644**  
 N — ENCLOSURE SIZE  
 C — COVER TYPE  
     C=CLEAR COVER WO/LATCH  
     J=OPAQUE COVER WO/LATCH  
 644 — NEMA TYPE 1-3-3S-12-4/4X

SIZE	A	B	C	D	E	F
-- 644	6.42 (163.1)	4.41 (112.0)	4.29 (109.0)	2.28 (57.9)	4.00 (101.6)	2.00 (50.8)
-- 664	6.42 (163.1)	6.42 (163.1)	4.28 (108.7)	4.28 (108.7)	4.00 (101.6)	4.00 (101.6)
-- 864	8.42 (213.9)	6.42 (163.1)	6.27 (159.2)	4.26 (108.2)	4.00 (101.6)	4.00 (101.6)
-- 884	8.42 (213.9)	8.42 (213.9)	6.30 (160.0)	6.30 (160.0)	4.00 (101.6)	6.00 (152.4)
-- 1084	10.42 (264.7)	8.42 (213.9)	8.34 (211.8)	6.30 (160.0)	4.00 (101.6)	6.00 (152.4)

SIZE	A	B	C	D	E	F
-- 1086	10.42 (264.7)	8.42 (213.9)	8.34 (211.8)	6.30 (160.0)	6.00 (152.4)	6.00 (152.4)
-- 10108	10.42 (264.7)	10.42 (264.7)	8.29 (210.6)	8.29 (210.6)	6.00 (152.4)	8.00 (203.2)
-- 12106	12.42 (315.5)	10.42 (264.7)	10.30 (261.6)	8.28 (210.3)	6.00 (152.4)	8.00 (203.2)
-- 12126	12.42 (315.5)	12.42 (315.5)	10.24 (260.1)	10.24 (260.1)	6.00 (152.4)	10.00 (254.0)
-- 14126	14.42 (366.3)	12.42 (315.5)	12.26 (311.4)	10.24 (260.1)	6.00 (152.4)	10.00 (254.0)
-- 16146	16.42 (417.1)	14.42 (366.3)	14.26 (362.2)	12.26 (311.4)	6.00 (152.4)	12.00 (304.8)

**Thomas & Betts**

www.tnb.com

DESCRIPTION: **EXTERNAL HINGE ENCLOSURES (NC/NJ SERIES)**

SHEET NO:

2 OF 2

REV. NO:

E

DRAWING NO:

WSD-AC02093