

OVERVIEW

nLight Preset Scene Control WallPods provide users a quick way to set the light levels of an nLight controlled zone. All nPODM xL devices are single gang wall devices with soft-click push-buttons and green LED indicators for each button. Two RJ-45 connectors allow the devices to be daisy-chain wired with CAT5e cabling to other nLight network devices.

FEATURES

- Sets lights to one of two or four preset levels with single button push
- Functions as an On/Off switch
- Communicates with nLight network
- Remotely Configurable/Upgradable
- Soft-click push-buttons
- Green LED indicator per button

Warranty

5-year limited warranty. This is the only warranty provided and no other statements in this specification sheet create any warranty of any kind. All other express and implied warranties are disclaimed. Complete warranty terms located at: www.acuitybrands.com/support/warranty/terms-and-conditions

Note: Actual performance may differ as a result of end-user environment and application. Specifications subject to change without notice.



nPODM 4L DX
nPODM 2L
nPODM 2L AB



This item is an A+ capable component, which has been designed and tested to provide out-of-the-box luminaire compatibility with simple commissioning, when included as part of an A+ Certified™ Solution.

To learn more about A+, visit www.acuitybrands.com/aplus.



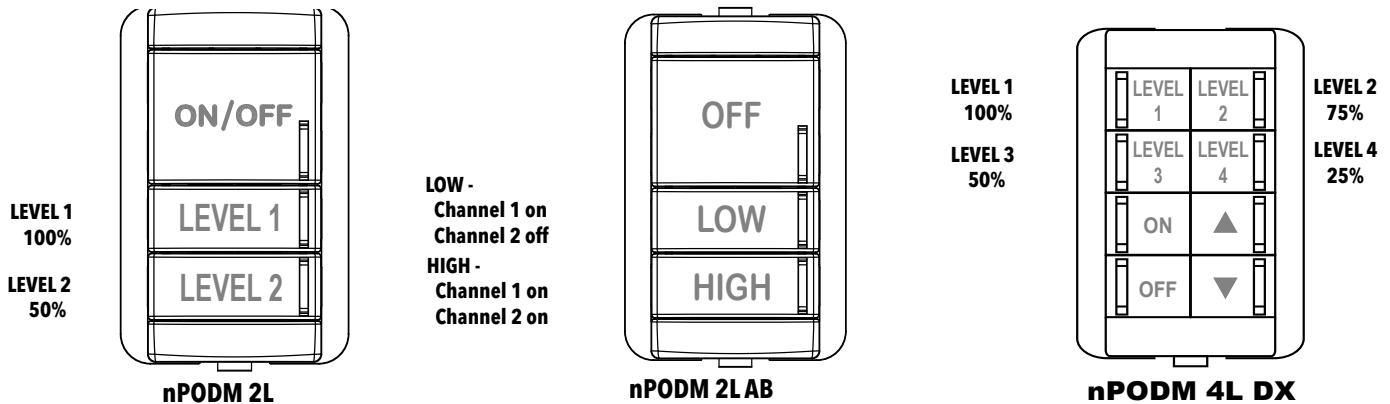
ORDERING INFORMATION

nPODM		Example: nPODM 2L WH	
Series	Preset Type	Color	Temp/ Humidity
nPODM	2L Two levels 2L AB High/low step control 4L DX Four levels with raise/lower	WH White IV Ivory AL Light almond GY Gray BK Black	[blank] Normal LT Low temp

OVERVIEW

CONFIGURATION

Below is an outline of the factory configurations:

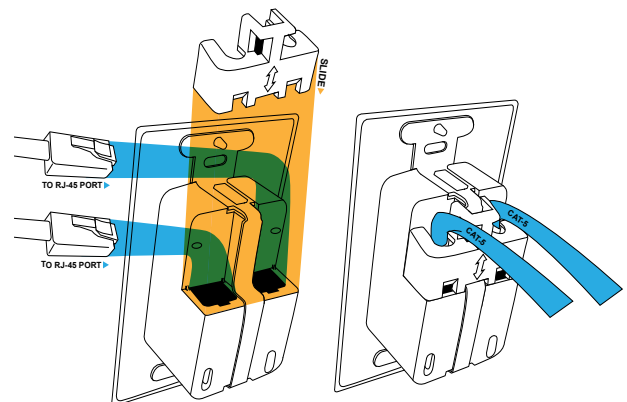


PROGRAMMING

- nPODM 2L - All buttons come factory set (LEVEL 1 button is set to 100%, LEVEL 2 button is set to 50%)
- nPODM 4L DX - All buttons come factory set (LEVEL 1 button is set to 100%, LEVEL 2 button is set to 75%, LEVEL 3 button is set to 50% and LEVEL 4 button is set to 25%).
- The preset dim level of a button can be changed by first adjusting the light level with either the unit's raise/lower buttons (nPODM 4L DX) or via another raise/lower WallPod broadcasting on the same switch channel (necessary with a nPODM 2L). Once lights are at desired level, hold a LEVEL button for 8 seconds until the LED flashes. Levels can also be set via SensorView.
- Refer to instruction card IN-11.3 for directions on programming the wallpods switch channel via the LEVEL buttons.
- All nPODM 2L and nPODM 4L DX units are factory set to switch channel 1. nPODM 2LAB units are factory set to switch channels 1 & 2.

INSTALLATION & WIRING

- Mount WallPod using holes that align with standard single gang switch box or low voltage ring
- Access RJ-45 ports by sliding plastic guard up
- Remove rubber plug(s) and insert CAT-5e cable(s), T568B wiring convention recommended
- Slide guard back onto metal strap
- Interconnect unit with other nLight devices in lighting zone using CAT-5e cables
- Once power is received via CAT-5e connection, all devices in zone will begin functioning together according to respective device's defaults



Attention! Only use non-booted CAT5e cables.

SPECIFICATIONS

Electrical	Input Ratings	15-24VDC, 5mA, Class 2 (nLight network power)
Mechanical	Dimensions	2.74"H x 1.68"W x 1.63"D (70mm x 43mm x 41mm) - does not include ground strap
	Mounting	Single-Gang Box or Low Voltage Ring
	Connection Type	RJ-45 nLight Network Ports (2)
Environmental	Warrantied Operating Temperature	32°F to 140°F (0°C to 60°C)
	Relative Humidity	Up to 90%, Non-Condensing
	Standards/ Ratings	Energy Management Equipment, UL916 (E167435) RoHS

OVERVIEW

nLight Preset Scene Control WallPods provide users a quick way to set the light levels of an nLight controlled zone. All nPODM xL devices are single gang wall devices with soft-click push-buttons and green LED indicators for each button. Two RJ-45 connectors allow the devices to be daisy-chain wired with CAT5e cabling to other nLight network devices.

FEATURES

- Sets lights to one of two or four preset levels with single button push
- Functions as an On/Off switch
- Communicates with nLight network
- Remotely Configurable/Upgradable
- Soft-click push-buttons
- Green LED indicator per button

Warranty

5-year limited warranty. This is the only warranty provided and no other statements in this specification sheet create any warranty of any kind. All other express and implied warranties are disclaimed. Complete warranty terms located at: www.acuitybrands.com/support/warranty/terms-and-conditions

Note: Actual performance may differ as a result of end-user environment and application. Specifications subject to change without notice.



nPODM 4L DX
nPODM 2L
nPODM 2L AB



This item is an A+ capable component, which has been designed and tested to provide out-of-the-box luminaire compatibility with simple commissioning, when included as part of an A+ Certified™ Solution.

To learn more about A+, visit www.acuitybrands.com/aplus.



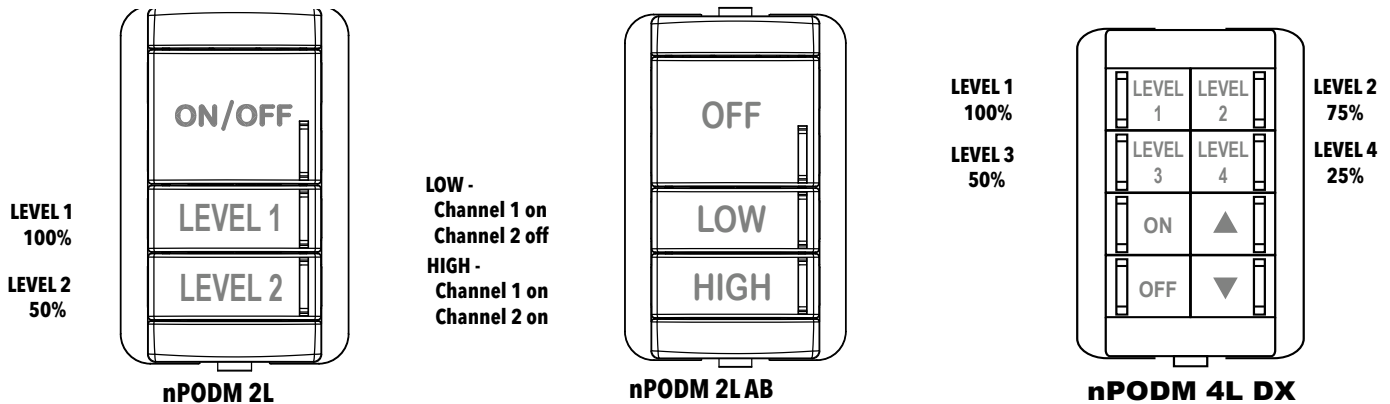
ORDERING INFORMATION

nPODM		Example: nPODM 2L WH	
Series	Preset Type	Color	Temp/ Humidity
nPODM	2L Two levels 2L AB High/low step control 4L DX Four levels with raise/lower	WH White IV Ivory AL Light almond GY Gray BK Black	[blank] Normal LT Low temp

OVERVIEW

CONFIGURATION

Below is an outline of the factory configurations:



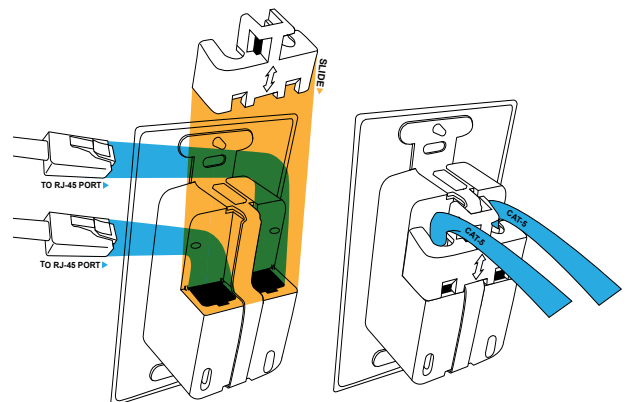
PROGRAMMING

- nPODM 2L - All buttons come factory set (LEVEL 1 button is set to 100%, LEVEL 2 button is set to 50%)
- nPODM 4L DX - All buttons come factory set (LEVEL 1 button is set to 100%, LEVEL 2 button is set to 75%, LEVEL 3 button is set to 50% and LEVEL 4 button is set to 25%).
- The preset dim level of a button can be changed by first adjusting the light level with either the unit's raise/lower buttons (nPODM 4L DX) or via another raise/lower WallPod broadcasting on the same switch channel (necessary with a nPODM 2L). Once lights are at desired level, hold a LEVEL button for 8 seconds until the LED flashes. Levels can also be set via SensorView.
- Refer to instruction card IN-11.3 for directions on programming the wallpods switch channel via the LEVEL buttons.
- All nPODM 2L and nPODM 4L DX units are factory set to switch channel 1. nPODM 2LAB units are factory set to switch channels 1 & 2.

INSTALLATION & WIRING

- Mount WallPod using holes that align with standard single gang switch box or low voltage ring
- Access RJ-45 ports by sliding plastic guard up
- Remove rubber plug(s) and insert CAT-5e cable(s), T568B wiring convention recommended
- Slide guard back onto metal strap
- Interconnect unit with other nLight devices in lighting zone using CAT-5e cables
- Once power is received via CAT-5e connection, all devices in zone will begin functioning together according to respective device's defaults

Attention! Only use non-booted CAT5e cables.



SPECIFICATIONS

Electrical	Input Ratings	15-24VDC, 5mA, Class 2 (nLight network power)
Mechanical	Dimensions	2.74"H x 1.68"W x 1.63"D (70mm x 43mm x 41mm) - does not include ground strap
	Mounting	Single-Gang Box or Low Voltage Ring
	Connection Type	RJ-45 nLight Network Ports (2)
Environmental	Warrantied Operating Temperature	32°F to 140°F (0°C to 60°C)
	Relative Humidity	Up to 90%, Non-Condensing
	Standards/ Ratings	Energy Management Equipment, UL916 (E167435) RoHS