


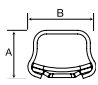

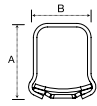


# Metal Raceway

## HBL500 and HBL750 Series

Metal Raceway and Switch/Receptacle Boxes

HBL500 and HBL750 Series	Description	Color	Length	HBL500 Series	HBL750 Series
	<b>Base and Cover</b> Available in 5 ft. (1.5m) lengths, packed 50 ft. (15m) per carton and 10 ft. (3m) lengths, packed 100 ft. (30m) per carton. HBL5701C coupling furnished with each length.	Ivory Ivory White	5 ft. 10 ft. 10 ft.	<b>HBL5005IV</b> <b>HBL50010IV</b> <b>HBL50010W</b> A: .53" (13.46) B: .76" (19.30)	<b>HBL7505IV</b> <b>HBL75010IV</b> <b>HBL75010W</b> A: .85" (21.59) B: .76" (19.30)



	Color	1-Gang	2-Gang	3-Gang	4-Gang	5-Gang	6-Gang
<b>Standard</b>	Ivory	<b>HBL5748IV</b>	<b>HBL57482IV</b>	<b>HBL57483IV</b>	<b>HBL57484IV</b>	<b>HBL57485IV</b>	<b>HBL57486IV</b>
	White	<b>HBL5748W</b>	<b>HBL57482W</b>	<b>HBL57483W</b>	—	—	—
		A: 4.54" (115.32) B: 2.82" (71.63) C: 1.75" (44.45)	A: 4.54" (115.32) B: 4.64" (117.86) C: 1.75" (44.45)	A: 4.54" (115.32) B: 6.45" (163.88) C: 1.75" (44.45)	A: 4.54" (115.32) B: 8.26" (209.91) C: 1.75" (44.45)	A: 4.54" (115.32) B: 10.01" (255.93) C: 1.75" (44.45)	A: 4.54" (115.32) B: 11.89" (301.96) C: 1.75" (44.45)
<b>Shallow</b>	Ivory	<b>HBL5747IV</b>	<b>HBL57472IV</b>	<b>HBL57473IV</b>	—	—	—
	White	<b>HBL5747W</b>	<b>HBL57472W</b>	—	—	—	—
		A: 4.54" (115.32) B: 2.82" (71.63) C: 1.38" (35.05)	A: 4.54" (115.32) B: 4.64" (117.86) C: 1.38" (35.05)	A: 4.54" (115.32) B: 6.45" (163.88) C: 1.38" (35.05)			
<b>Deep</b>	Ivory	<b>HBL5744SIV</b>	<b>HBL5744S2IV</b>	<b>HBL5744S3IV</b>	—	—	—
	White	<b>HBL5744SW</b>	<b>HBL5744S2W</b>	—	—	—	—
		A: 4.54" (115.32) B: 2.82" (71.63) C: 2.25" (57.00)	A: 4.54" (115.32) B: 4.64" (117.86) C: 2.25" (57.00)	A: 4.54" (115.32) B: 6.45" (163.88) C: 2.25" (57.00)			
<b>Extra Deep</b>	Ivory	<b>HBL5744IV</b>	<b>HBL57442IV</b>	<b>HBL57443IV</b>	—	—	—
	White	<b>HBL5744W</b>	<b>HBL57442W</b>	—	—	—	—
		A: 4.54" (115.32) B: 2.82" (71.63) C: 2.75" (69.85)	A: 4.54" (115.32) B: 4.64" (117.86) C: 2.75" (69.85)	A: 4.54" (115.32) B: 6.45" (163.88) C: 2.75" (69.85)			
Base Trade Size KO's		2 - 1/2"	1 - 1/2", 3/4" Concentric 1 - Rectangular	3 - 1/2"	4 - 1/2"	5 - 1/2"	6 - 1/2"

Note: For datacom applications, box selection is dependent on depth of connectors (jacks). See pages O-45 and O-46 for datacom product selection.



Extension Boxes	Description	Color	1-Gang	1-Gang Deep	1-Gang Blank	2-Gang	3-Gang
	<b>Extension Boxes</b> To extend existing flush switch and receptacle boxes. Blank is used where it is desired to blank original outlet.	Ivory White	<b>HBL5751IV</b> <b>HBL5751W</b>	<b>HBL5751AIV</b> <b>HBL5751AW</b>	<b>HBL5760IV</b>	<b>HBL57512IV</b>	<b>HBL57513IV</b>
		A: 4.54" (115.32) B: 2.82" (71.63) C: 1.38" (35.05)	A: 4.54" (115.32) B: 2.82" (71.63) C: 1.75" (44.45)	A: 4.54" (115.32) B: 2.82" (71.63) C: 1.13" (28.70)	A: 4.54" (115.32) B: 4.64" (117.86) C: 1.38" (35.05)	A: 4.54" (115.32) B: 6.45" (163.88) C: 1.38" (35.05)	




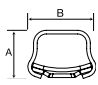

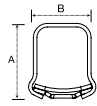


# Metal Raceway

## HBL500 and HBL750 Series

Metal Raceway and Switch/Receptacle Boxes

HBL500 and HBL750 Series	Description	Color	Length	HBL500 Series	HBL750 Series
	<b>Base and Cover</b> Available in 5 ft. (1.5m) lengths, packed 50 ft. (15m) per carton and 10 ft. (3m) lengths, packed 100 ft. (30m) per carton. HBL5701C coupling furnished with each length.	Ivory Ivory White	5 ft. 10 ft. 10 ft.	<b>HBL5005IV</b> <b>HBL50010IV</b> <b>HBL50010W</b> A: .53" (13.46) B: .76" (19.30)	<b>HBL7505IV</b> <b>HBL75010IV</b> <b>HBL75010W</b> A: .85" (21.59) B: .76" (19.30)



	Color	1-Gang	2-Gang	3-Gang	4-Gang	5-Gang	6-Gang
<b>Standard</b>	Ivory	<b>HBL5748IV</b>	<b>HBL57482IV</b>	<b>HBL57483IV</b>	<b>HBL57484IV</b>	<b>HBL57485IV</b>	<b>HBL57486IV</b>
	White	<b>HBL5748W</b>	<b>HBL57482W</b>	<b>HBL57483W</b>	—	—	—
		A: 4.54" (115.32) B: 2.82" (71.63) C: 1.75" (44.45)	A: 4.54" (115.32) B: 4.64" (117.86) C: 1.75" (44.45)	A: 4.54" (115.32) B: 6.45" (163.88) C: 1.75" (44.45)	A: 4.54" (115.32) B: 8.26" (209.91) C: 1.75" (44.45)	A: 4.54" (115.32) B: 10.01" (255.93) C: 1.75" (44.45)	A: 4.54" (115.32) B: 11.89" (301.96) C: 1.75" (44.45)
<b>Shallow</b>	Ivory	<b>HBL5747IV</b>	<b>HBL57472IV</b>	<b>HBL57473IV</b>	—	—	—
	White	<b>HBL5747W</b>	<b>HBL57472W</b>	—	—	—	—
		A: 4.54" (115.32) B: 2.82" (71.63) C: 1.38" (35.05)	A: 4.54" (115.32) B: 4.64" (117.86) C: 1.38" (35.05)	A: 4.54" (115.32) B: 6.45" (163.88) C: 1.38" (35.05)			
<b>Deep</b>	Ivory	<b>HBL5744SIV</b>	<b>HBL5744S2IV</b>	<b>HBL5744S3IV</b>	—	—	—
	White	<b>HBL5744SW</b>	<b>HBL5744S2W</b>	—	—	—	—
		A: 4.54" (115.32) B: 2.82" (71.63) C: 2.25" (57.00)	A: 4.54" (115.32) B: 4.64" (117.86) C: 2.25" (57.00)	A: 4.54" (115.32) B: 6.45" (163.88) C: 2.25" (57.00)			
<b>Extra Deep</b>	Ivory	<b>HBL5744IV</b>	<b>HBL57442IV</b>	<b>HBL57443IV</b>	—	—	—
	White	<b>HBL5744W</b>	<b>HBL57442W</b>	—	—	—	—
		A: 4.54" (115.32) B: 2.82" (71.63) C: 2.75" (69.85)	A: 4.54" (115.32) B: 4.64" (117.86) C: 2.75" (69.85)	A: 4.54" (115.32) B: 6.45" (163.88) C: 2.75" (69.85)			
Base Trade Size KO's		2 - 1/2"	1 - 1/2", 3/4" Concentric 1 - Rectangular	3 - 1/2"	4 - 1/2"	5 - 1/2"	6 - 1/2"

Note: For datacom applications, box selection is dependent on depth of connectors (jacks). See pages O-45 and O-46 for datacom product selection.



Extension Boxes	Description	Color	1-Gang	1-Gang Deep	1-Gang Blank	2-Gang	3-Gang
	<b>Extension Boxes</b> To extend existing flush switch and receptacle boxes. Blank is used where it is desired to blank original outlet.	Ivory White	<b>HBL5751IV</b> <b>HBL5751W</b>	<b>HBL5751AIV</b> <b>HBL5751AW</b>	<b>HBL5751AIV</b> <b>HBL5751AW</b>	<b>HBL5760IV</b>	<b>HBL57512IV</b>
		A: 4.54" (115.32) B: 2.82" (71.63) C: 1.38" (35.05)	A: 4.54" (115.32) B: 2.82" (71.63) C: 1.75" (44.45)	A: 4.54" (115.32) B: 2.82" (71.63) C: 1.75" (44.45)	A: 4.54" (115.32) B: 2.82" (71.63) C: 1.13" (28.70)	A: 4.54" (115.32) B: 4.64" (117.86) C: 1.38" (35.05)	A: 4.54" (115.32) B: 6.45" (163.88) C: 1.38" (35.05)

