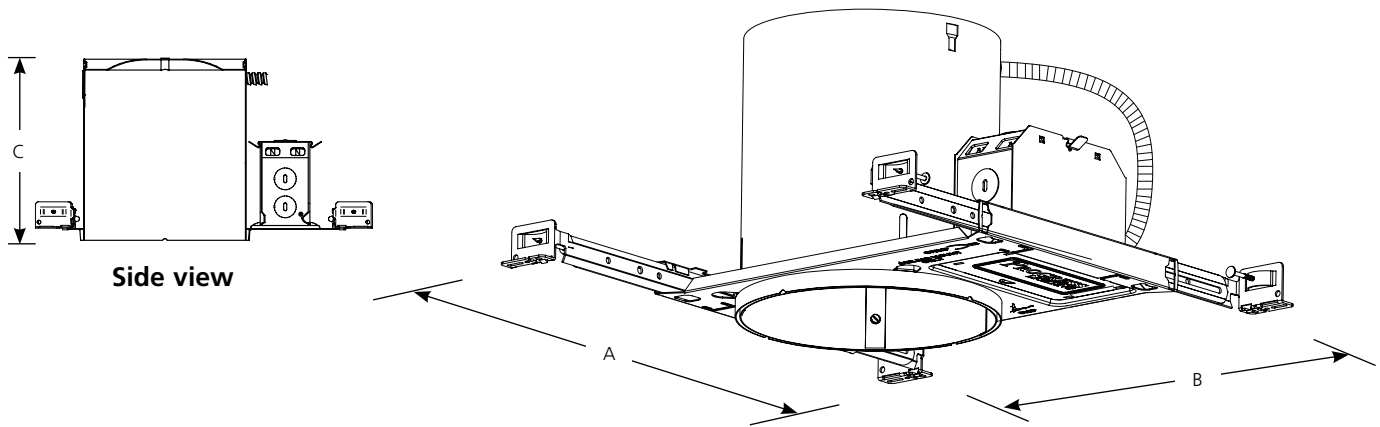


Type \_\_\_\_\_

P87-AT

Catalog No.	Lamping	Dimensions (Inches)		
		A	B	C
P87-AT	See Trim Specifications	7-7/8	10-3/4	7-1/4
		Ceiling Opening 6-7/8		



**Specifications:**

Wiring

- Universal junction box with snap-out sides
- Removable housing for field inspection of wiring
- Grounding pigtail
- Knockout free Romex clamps
- 1/2" & 3/4" Knock outs for rigid or BX fittings

Construction

- Housing adjusts for ceiling thickness from 1/2" to 1-1/2" thick
- Full wrap-around plaster frame
- Removable K.O. for remodel use (P8607-01 plaster frame clips also required)
- Galvanized steel construction
- Porcelain socket with nickel-plated brass screw shell
- Notched housing for chalkline alignment
- Overspray protection
- Socket can be used as a temporary work light with 'A' lamp

Bar Hangers

- Integral nail for wood joist construction
- Integral T-bar mounting clamps
- Spans 24" T-bar suspended ceilings
- Lock to secure housing
- Captive with joist alignment tabs
- 90-degree mounting for tight spaces

Labeling

- IC and Non-IC rated
- Performance tested to ASTM E283 Air Tight requirements, including IECC, CA Title 24 and Washington State Energy Codes
- UL-CUL listed for damp location and through branch wiring
- Approved for use in New York City per calendar #40330.

Lamp/Trim

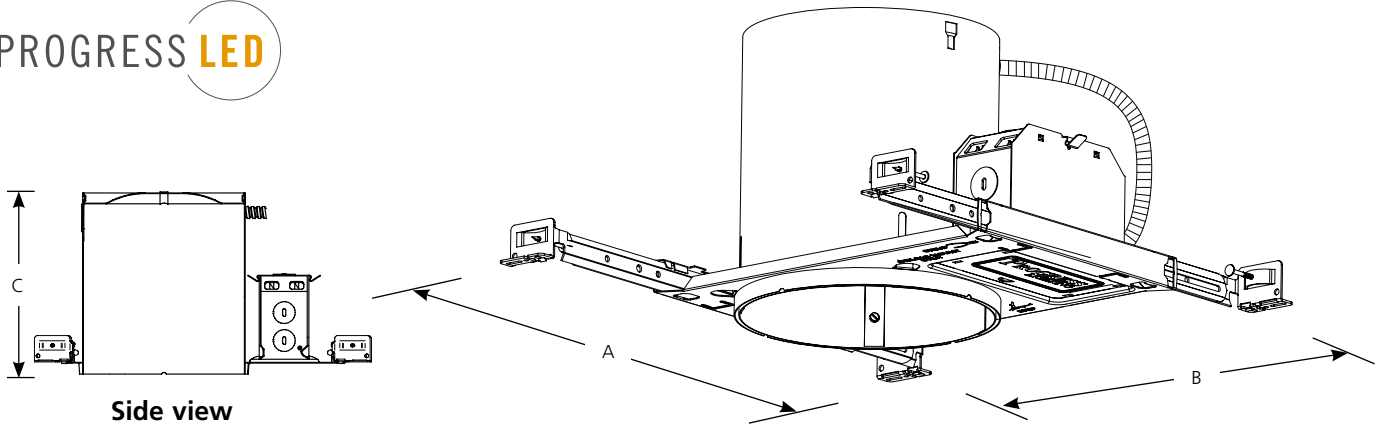
- Socket mounts to trim for optimum performance and consistent lamp position
- Trim-Lok® action forces trim to fit snugly against the ceiling

Progress Lighting  
 701 Millennium Blvd.  
 Greenville, South Carolina  
 29607

www.progresslighting.com  
 Patent# 5758959

Type \_\_\_\_\_  
P87-LED

Catalog No.	Lamping	Dimensions (Inches)		
		A	B	C
P87-LED	See Trim Specifications	7-7/8	10-3/4	7-1/4 Ceiling Opening 6-7/8



**Title 24 Lighting**

The P87-LED IC rated, new construction recessed can is designed specifically for use with P8071 Series LED trims (purchased separately). The integral quick link connector provides electrical connection to the trim in place of a traditional Edison base socket. The P87-LED in conjunction with the P8071 series LED trims is a high efficacy luminaire compliant with California Title 24 requirements for recessed lighting. Marked for 15W maximum input power, the P87-LED is also a great option where lighting power densities limit allowable W/ft<sup>2</sup>.

**Specifications:**

Wiring

- Universal junction box with snap-out sides
- Removable housing for field inspection of wiring
- Grounding pigtail
- Knockout free Romex clamps
- 1/2" & 3/4" Knock outs for rigid or BX fittings
- Pre-Installed wire quick connects
- Thru-branch wiring for #12 90° conductors (4 in/4 out)

Construction

- Housing adjusts for ceiling thickness from 1/2" to 1-1/2" thick
- Full wrap-around plaster frame
- Removable K.O. for remodel use (P8607-01 plaster frame clips also required)
- Galvanized steel construction
- Notched housing for chalkline alignment
- Quick connector allows easy electrical connection with trim

Bar Hangers

- Integral nail for wood joist construction
- Integral T-bar mounting clip
- Spans 24" T-bar for suspended ceilings
- Lock to secure housing
- Captive with joist adjustment tabs
- 90-degree mounting for tight spaces

Labeling/Compliance

- IC and Non-IC rated
- Performance tested to ASTM E283 Air Tight requirements, including IECC, CA Title 24 and Washington State Energy Codes
- UL-CUL listed for damp location and through branch wiring
- Approved for use in New York City per calendar #40330.
- Complies with California Title 24
- Labeled as 15w maximum input

Trim

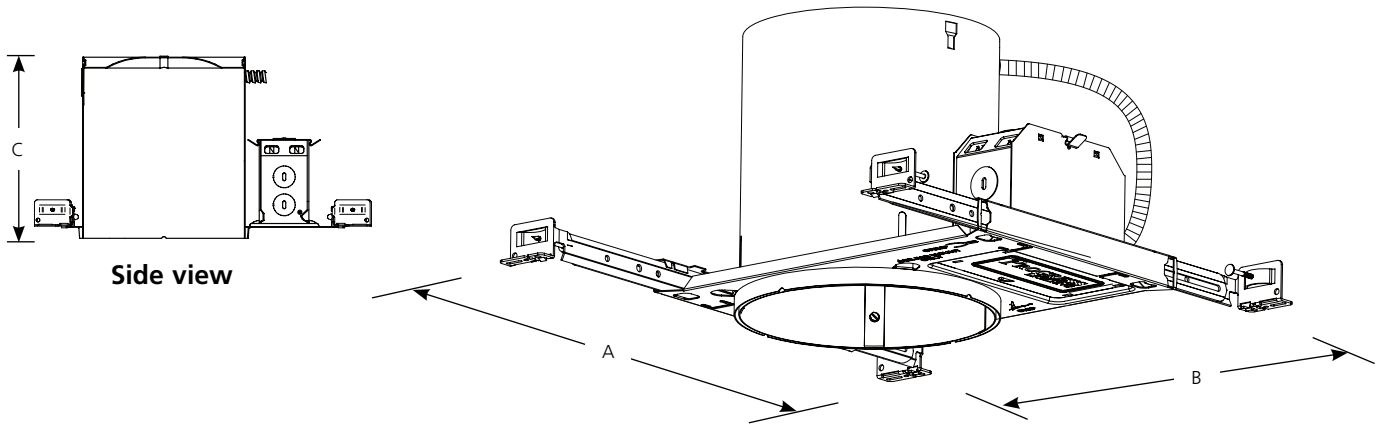
- Trim-Lok® action forces trim to fit snugly against the ceiling
- P87-LED is designed for use with P8071 Series LED Trims (purchased separately)

Progress Lighting  
701 Millennium Blvd.  
Greenville, South Carolina  
29607

www.progresslighting.com  
Patent# 5758959

Type \_\_\_\_\_  
 P87-ATQC

Catalog No.	Lamping	Dimensions (Inches)		
		A	B	C
P87-ATQC	See Trim Specifications	7-7/8	10-3/4	7-1/4
		Ceiling Opening 6-7/8		



**Specifications:**

Wiring

- Universal junction box with snap-out sides
- Removable housing for field inspection of wiring
- Grounding pigtail
- Knockout free Romex clamps
- 1/2" & 3/4" Knock outs for rigid or BX fittings
- Pre-Installed wire quick connects
- Thru-branch wiring for #12 90° conductors (4 in/4 out)

Construction

- Housing adjusts for ceiling thickness from 1/2" to 1-1/2" thick
- Full wrap-around plaster frame
- Removable K.O. for remodel use (P8607-01 plaster frame clips also required)
- Galvanized steel construction
- Porcelain socket with nickel-plated brass screw shell
- Notched housing for chalkline alignment
- Pre-installed disposable plastic cap protects socket screw shell from paint overspray
- Socket can be used as a temporary work light with 'A' lamp

Bar Hangers

- Integral nail for wood joist construction
- Integral snap-on T-bar mounting clip
- Span 24" T-bar for suspended ceilings
- Lock to secure housing
- Captive with joist alignment tabs
- 90-degree mounting for tight spaces

Labeling

- IC and Non-IC rated
- Performance tested to ASTM E283 Air Tight requirements, including IECC, CA Title 24 and Washington State Energy Codes
- UL-CUL listed for damp location and through branch wiring
- Approved for use in New York City per calendar #40330.

Lamp/Trim

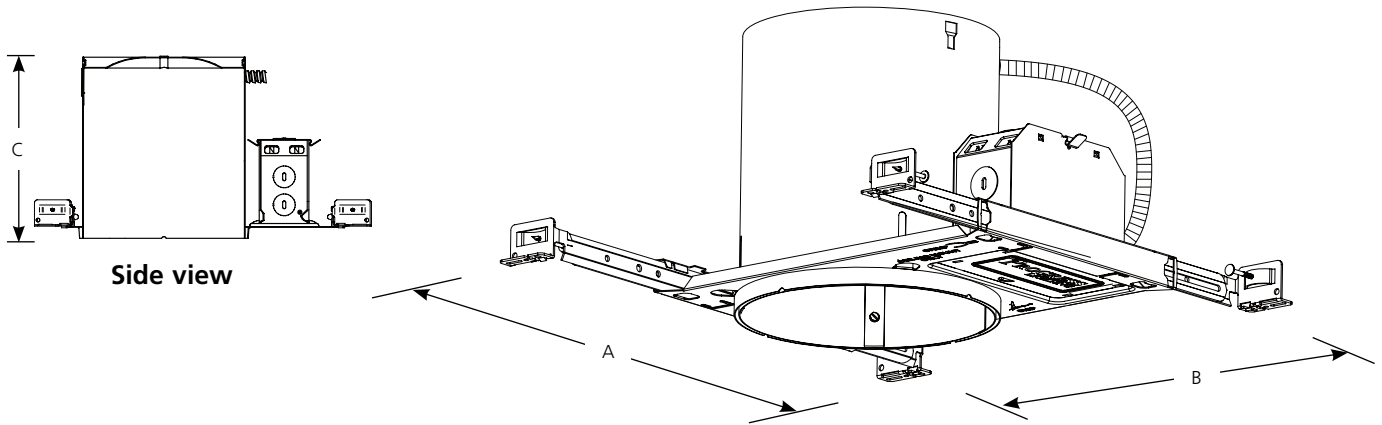
- Socket mounts to trim for optimum performance, and provides consistent vertical lamp position
- Trim-Lok® action forces trim to fit snugly against the ceiling

Progress Lighting  
 701 Millennium Blvd.  
 Greenville, South Carolina  
 29607

Type \_\_\_\_\_

P87-AT

Catalog No.	Lamping	Dimensions (Inches)		
		A	B	C
P87-AT	See Trim Specifications	7-7/8	10-3/4	7-1/4
		Ceiling Opening 6-7/8		



**Specifications:**

Wiring

- Universal junction box with snap-out sides
- Removable housing for field inspection of wiring
- Grounding pigtail
- Knockout free Romex clamps
- 1/2" & 3/4" Knock outs for rigid or BX fittings

Construction

- Housing adjusts for ceiling thickness from 1/2" to 1-1/2" thick
- Full wrap-around plaster frame
- Removable K.O. for remodel use (P8607-01 plaster frame clips also required)
- Galvanized steel construction
- Porcelain socket with nickel-plated brass screw shell
- Notched housing for chalkline alignment
- Overspray protection
- Socket can be used as a temporary work light with 'A' lamp

Bar Hangers

- Integral nail for wood joist construction
- Integral T-bar mounting clamps
- Spans 24" T-bar suspended ceilings
- Lock to secure housing
- Captive with joist alignment tabs
- 90-degree mounting for tight spaces

Labeling

- IC and Non-IC rated
- Performance tested to ASTM E283 Air Tight requirements, including IECC, CA Title 24 and Washington State Energy Codes
- UL-CUL listed for damp location and through branch wiring
- Approved for use in New York City per calendar #40330.

Lamp/Trim

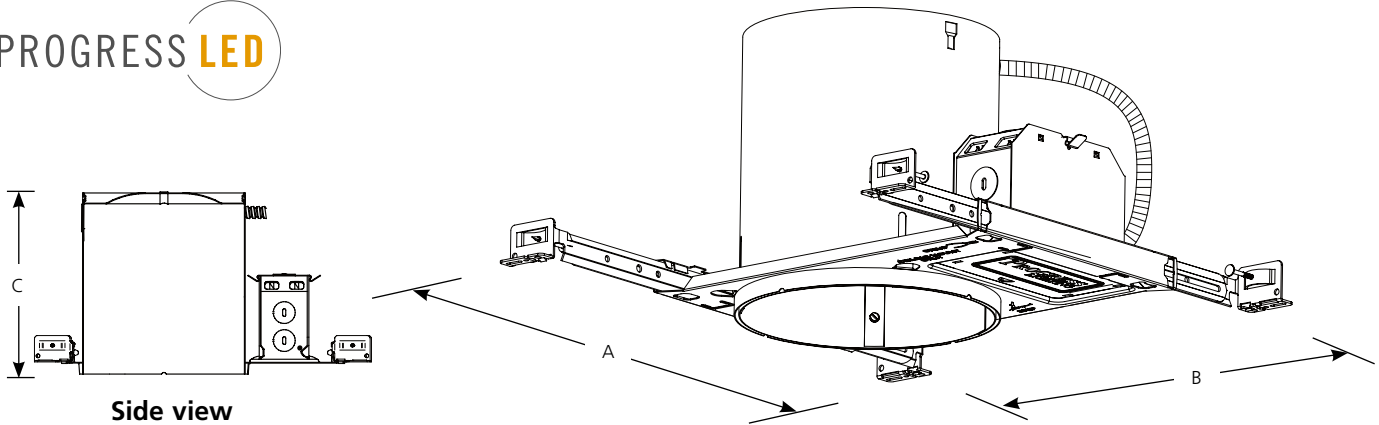
- Socket mounts to trim for optimum performance and consistent lamp position
- Trim-Lok® action forces trim to fit snugly against the ceiling

Progress Lighting  
 701 Millennium Blvd.  
 Greenville, South Carolina  
 29607

www.progresslighting.com  
 Patent# 5758959

Type \_\_\_\_\_  
P87-LED

Catalog No.	Lamping	Dimensions (Inches)		
		A	B	C
P87-LED	See Trim Specifications	7-7/8	10-3/4	7-1/4
		Ceiling Opening 6-7/8		



**Title 24 Lighting**

The P87-LED IC rated, new construction recessed can is designed specifically for use with P8071 Series LED trims (purchased separately). The integral quick link connector provides electrical connection to the trim in place of a traditional Edison base socket. The P87-LED in conjunction with the P8071 series LED trims is a high efficacy luminaire compliant with California Title 24 requirements for recessed lighting. Marked for 15W maximum input power, the P87-LED is also a great option where lighting power densities limit allowable W/ft<sup>2</sup>.

**Specifications:**

Wiring

- Universal junction box with snap-out sides
- Removable housing for field inspection of wiring
- Grounding pigtail
- Knockout free Romex clamps
- 1/2" & 3/4" Knock outs for rigid or BX fittings
- Pre-Installed wire quick connects
- Thru-branch wiring for #12 90° conductors (4 in/4 out)

Construction

- Housing adjusts for ceiling thickness from 1/2" to 1-1/2" thick
- Full wrap-around plaster frame
- Removable K.O. for remodel use (P8607-01 plaster frame clips also required)
- Galvanized steel construction
- Notched housing for chalkline alignment
- Quick connector allows easy electrical connection with trim

Bar Hangers

- Integral nail for wood joist construction
- Integral T-bar mounting clip
- Spans 24" T-bar for suspended ceilings
- Lock to secure housing
- Captive with joist adjustment tabs
- 90-degree mounting for tight spaces

Labeling/Compliance

- IC and Non-IC rated
- Performance tested to ASTM E283 Air Tight requirements, including IECC, CA Title 24 and Washington State Energy Codes
- UL-CUL listed for damp location and through branch wiring
- Approved for use in New York City per calendar #40330.
- Complies with California Title 24
- Labeled as 15w maximum input

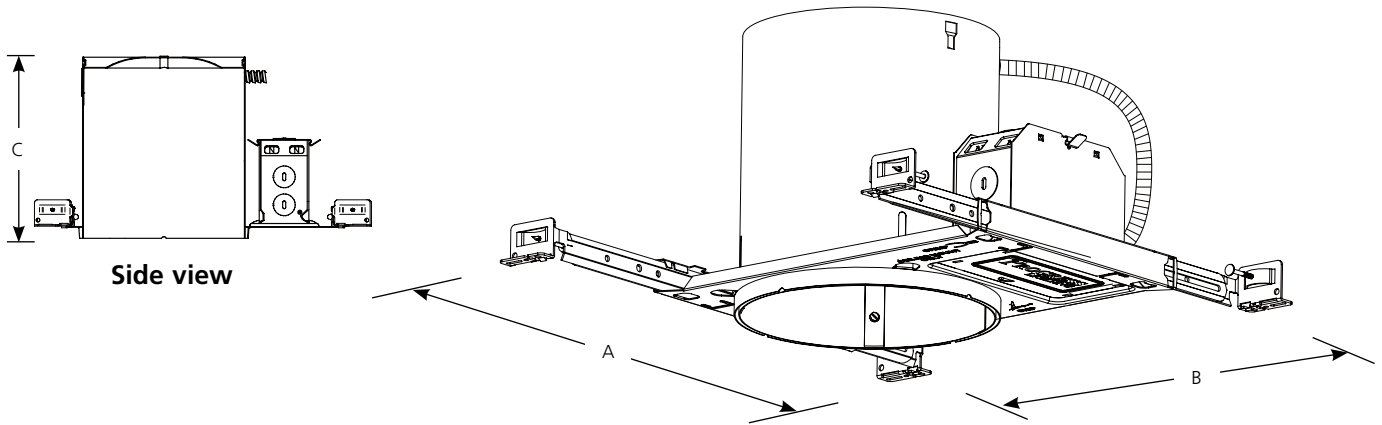
Trim

- Trim-Lok® action forces trim to fit snugly against the ceiling
- P87-LED is designed for use with P8071 Series LED Trims (purchased separately)

Progress Lighting  
701 Millennium Blvd.  
Greenville, South Carolina  
29607

Type \_\_\_\_\_  
 P87-ATQC

Catalog No.	Lamping	Dimensions (Inches)		
		A	B	C
P87-ATQC	See Trim Specifications	7-7/8	10-3/4	7-1/4
		Ceiling Opening 6-7/8		



**Specifications:**

Wiring

- Universal junction box with snap-out sides
- Removable housing for field inspection of wiring
- Grounding pigtail
- Knockout free Romex clamps
- 1/2" & 3/4" Knock outs for rigid or BX fittings
- Pre-Installed wire quick connects
- Thru-branch wiring for #12 90° conductors (4 in/4 out)

Construction

- Housing adjusts for ceiling thickness from 1/2" to 1-1/2" thick
- Full wrap-around plaster frame
- Removable K.O. for remodel use (P8607-01 plaster frame clips also required)
- Galvanized steel construction
- Porcelain socket with nickel-plated brass screw shell
- Notched housing for chalkline alignment
- Pre-installed disposable plastic cap protects socket screw shell from paint overspray
- Socket can be used as a temporary work light with 'A' lamp

Bar Hangers

- Integral nail for wood joist construction
- Integral snap-on T-bar mounting clip
- Span 24" T-bar for suspended ceilings
- Lock to secure housing
- Captive with joist alignment tabs
- 90-degree mounting for tight spaces

Labeling

- IC and Non-IC rated
- Performance tested to ASTM E283 Air Tight requirements, including IECC, CA Title 24 and Washington State Energy Codes
- UL-CUL listed for damp location and through branch wiring
- Approved for use in New York City per calendar #40330.

Lamp/Trim

- Socket mounts to trim for optimum performance, and provides consistent vertical lamp position
- Trim-Lok® action forces trim to fit snugly against the ceiling

Progress Lighting  
 701 Millennium Blvd.  
 Greenville, South Carolina  
 29607