

# PCA132418-00006

## PCX POLYMER CONCRETE ASSEMBLY

13" x 24" x 18"  
(For actual dimensions see drawing)

Polymer Concrete Assembly, Straight Sides, No Floor, WUC 3.6, ANSI/SCTE 77 - "T15/20K," 3/8" Hex Bolts, Standard Nameplate (Specify at time of order) Installed

### LOAD RATINGS

Incidental Traffic - Parking Lot, Sidewalk  
Conforms to:

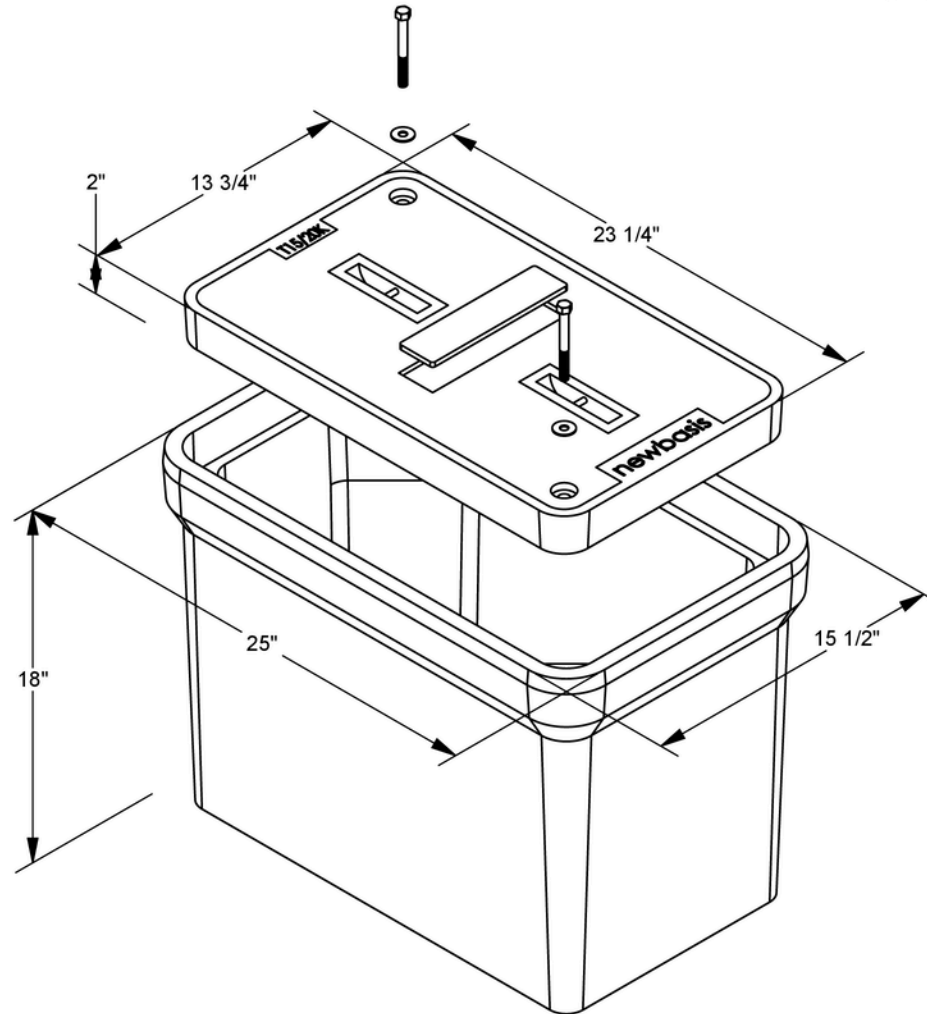
- WUC 3.6
- ASTM C 857
- ANSI/SCTE 77

### FEATURES:

- Drop-In nameplate
- Shipped assembled
- Skid resistant cover
- Stainless steel bolts
- Cast-in floating nut box
  - Integral drain holes

Additional product information  
continued on the reverse

**PCX**<sup>™</sup>  
POLYMER CONCRETE  
The Next Generation



**newbasis**  
Composites for Infrastructure

2626 Kansas Avenue  
Riverside, California 92507

951.787.0600

951.787.0632 (fax)

info@newbasis.com

newbasis.com

### Inside Dimensions

Length	Width	Depth
22 5/16"	12 13/16"	16"
19 3/4"	10 1/4"	

Rev: C.1

# PCA132418-00006

## PCX POLYMER CONCRETE ASSEMBLY

13" x 24" x 18"  
(For actual dimensions see drawing)

Polymer Concrete Assembly, Straight Sides, No Floor, WUC 3.6, ANSI/SCTE 77 - "T15/20K," 3/8" Hex Bolts, Standard Nameplate (Specify at time of order) Installed

### LOAD RATINGS

Incidental Traffic - Parking Lot, Sidewalk  
Conforms to:

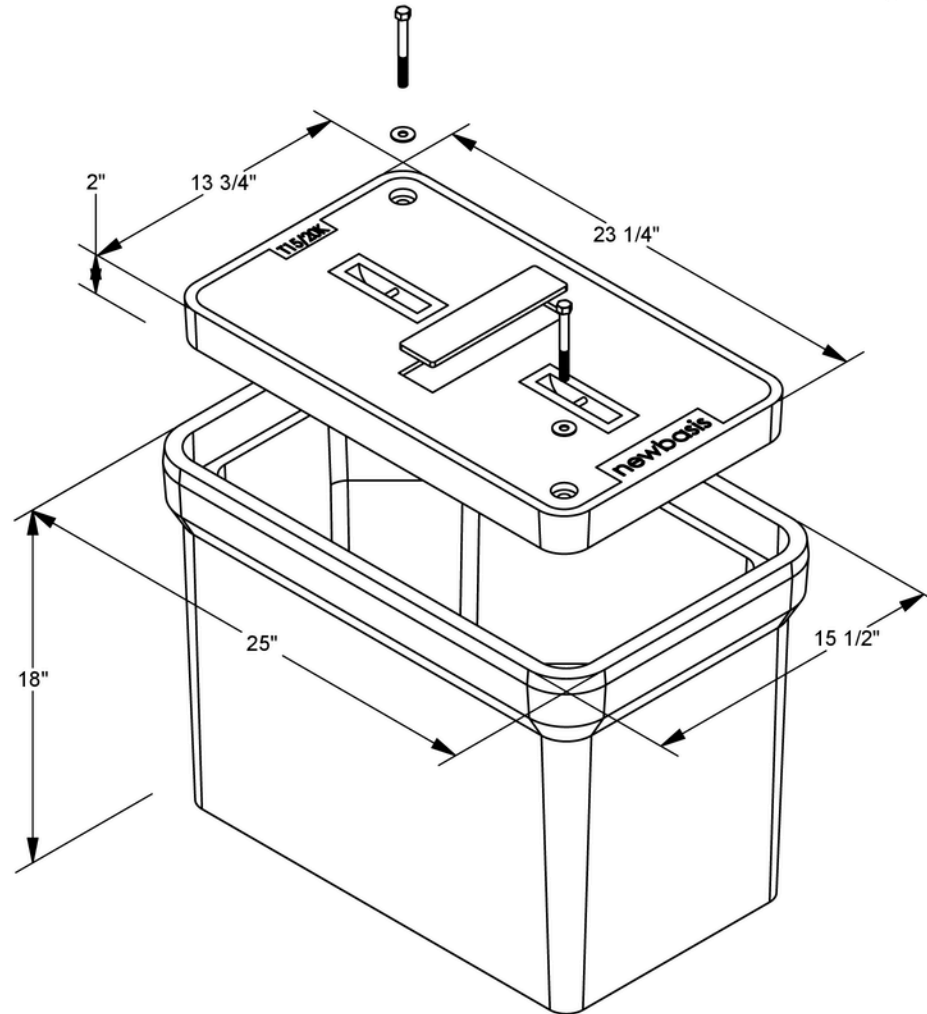
- WUC 3.6
- ASTM C 857
- ANSI/SCTE 77

### FEATURES:

- Drop-In nameplate
- Shipped assembled
- Skid resistant cover
- Stainless steel bolts
- Cast-in floating nut box
  - Integral drain holes

Additional product information  
continued on the reverse

**PCX**<sup>TM</sup>  
POLYMER CONCRETE  
The Next Generation



**newbasis**  
Composites for Infrastructure

2626 Kansas Avenue  
Riverside, California 92507

951.787.0600

951.787.0632 (fax)

info@newbasis.com

newbasis.com

### Inside Dimensions

Length	Width	Depth
22 5/16"	12 13/16"	16"
19 3/4"	10 1/4"	

Rev: C.1