

SWITCH & OUTLET BOX

PH122R | [Pass & Seymour](#)

FEATURES & BENEFITS

Single Gang, Switch and Outlet Box, Horizontal, Captive Mounting Nails on Each End. 100 pack.



- Durable, impact-resistant thermoplastic box.
- Easy installation, rectangular cutout.
- Innovative extras that cut installation time.

SPECIFICATIONS

GENERAL INFO

Product Series: Slater
Type: Box

LISTING AGENCIES/THIRD PARTY CERTIFICATIONS

CSA Listing Info: No
CUL Listing No: No
cULus: No
cURus: No
Federal Spec: No
UL Listing No: Yes
UN SPSC: 39121308
UR: No

DIMENSIONS

Depth (US): 3.875
Length (US): 3.75
Width (US): 2.25

Volume: 22.0

TECHNICAL INFORMATION

Material: Plastic

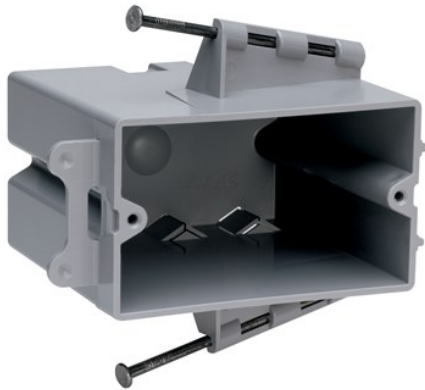
Mounting: Captive Mounting Nails

BUY AMERICAN ACT COMPLIANCE

Country Of Origin: UNITED STATES OF AMERICA

Buy American Act Status: Buy American Act Compliant





SWITCH & OUTLET BOX

PH122R | [Pass & Seymour](#)

FEATURES & BENEFITS

Single Gang, Switch and Outlet Box, Horizontal, Captive Mounting Nails on Each End. 100 pack.



- Durable, impact-resistant thermoplastic box.
- Easy installation, rectangular cutout.
- Innovative extras that cut installation time.

SPECIFICATIONS

GENERAL INFO

Product Series: Slater

Type: Box

LISTING AGENCIES/THIRD PARTY CERTIFICATIONS

CSA Listing Info: No

CUL Listing No: No

cULus: No

cURus: No

Federal Spec: No

UL Listing No: Yes

UN SPSC: 39121308

UR: No

DIMENSIONS

Depth (US): 3.875

Length (US): 3.75

Width (US): 2.25

Volume: 22.0

TECHNICAL INFORMATION

Material: Plastic

Mounting: Captive Mounting Nails

BUY AMERICAN ACT COMPLIANCE

Country Of Origin: UNITED STATES OF AMERICA

Buy American Act Status: Buy American Act Compliant

