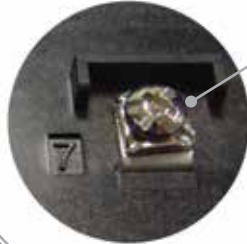


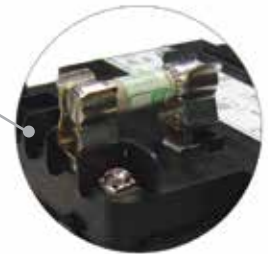
FEATURES & BENEFITS CONTINUED

Terminal connection numbers molded into the terminal block and correspond to the nameplate and wiring diagrams, make connecting the HPS Imperator quick and simple.



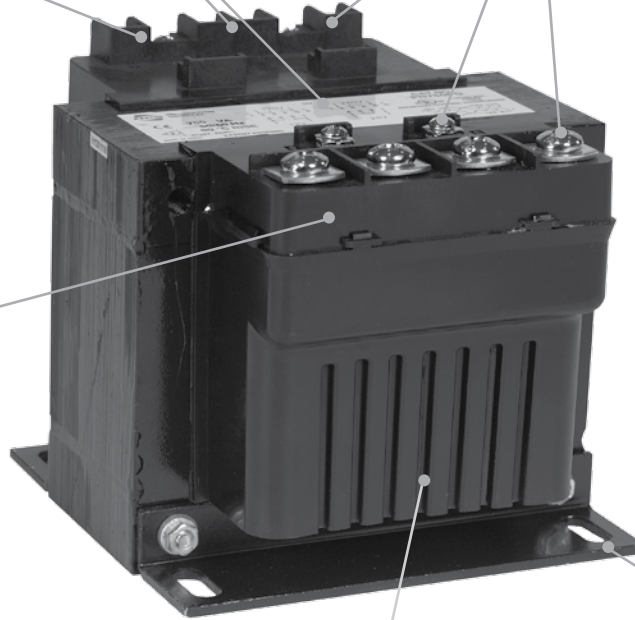
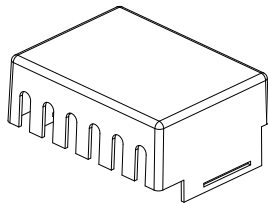
SEMS washer allows for easy connection of supply or load wires with or without terminal connectors.

Standard secondary and optional primary fuse kits utilizing 13/32" x 1 1/2" midget/type CC fuse clips provide an economical solution to your fusing requirements (fuses not available).



Innovative terminal block design provides for easy hook-up and installation of fuse clips.

Optional removable finger safe terminal covers available on all units.



Custom injection molded coil cover with its unique "fin shaped" design combines superior cooling properties with a clean, bold look.

Made of heavy steel and welded or bolted to the core, these mounting feet provide superior strength in a compact design.

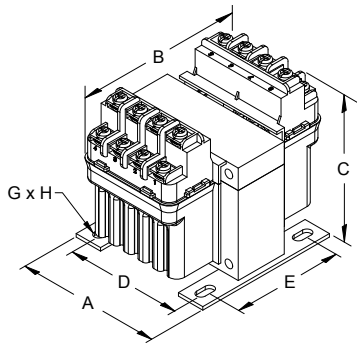


FIGURE A

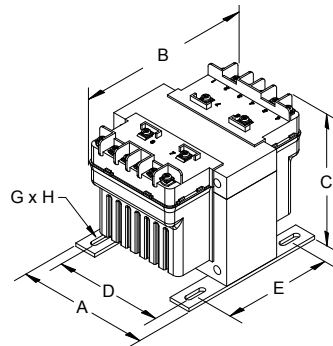


FIGURE B

Group C

Primary Voltage: 240 X 480 || 230 X 460 || 220 X 440
 Secondary Voltage: 120 X 240 || 115 X 230 || 110 X 220



50/60 Hertz

| VA Rating | Catalog Number | Mtg. Fig. | Output Amps | Overall Dimensions | | | Mounting Centers | | Mounting Slot G X H | Height with Finger Guard | Depth with Finger Guard | Approx. Ship Weight Lbs. | Optional Primary Fuse Kit P/N | Optional Unfused and Fused Finger Guard Kit P/N |
|-----------|----------------|-----------|-------------|--------------------|------|------|------------------|------|------------------------|--------------------------|-------------------------|--------------------------|-------------------------------|---|
| | | | | A | B | C | D | E | | | | | | |
| 50 | PH50QMJ | A | 0.42/0.21 | 3.00 | 4.38 | 3.19 | 2.50 | 2.25 | 0.22 x 0.44 | 4.00 | 5.82 | 3.50 | PFK1 | FG1*/FGF1 |
| 75 | PH75QMJ | A | 0.63/0.31 | 3.25 | 3.88 | 3.56 | 2.63 | 2.50 | 0.22 x 0.44 | 4.37 | 5.32 | 3.54 | PFK1 | FG2*/FGF2 |
| 100 | PH100QMJ | A | 0.83/0.42 | 3.25 | 4.19 | 3.63 | 2.63 | 2.63 | 0.22 x 0.44 | 4.50 | 5.63 | 4.50 | PFK1 | FG2*/FGF2 |
| 150 | PH150QMJ | B | 1.25/0.63 | 4.00 | 4.94 | 3.81 | 3.38 | 2.75 | 0.22 x 0.75 | 4.50 | 6.44 | 5.70 | PFK2 | FG3 |
| 250 | PH250QMJ | B | 2.08/1.04 | 4.50 | 5.44 | 3.81 | 3.75 | 3.13 | 0.22 x 0.75 | 4.50 | 6.94 | 7.50 | PFK2 | FG3 |
| 350 | PH350QMJ | B | 2.92/1.46 | 4.50 | 5.19 | 4.44 | 3.75 | 3.75 | 0.22 x 0.75 | 5.18 | 6.69 | 10.1 | PFK3 | FG4 |
| 500 | PH500QMJ | B | 4.17/2.08 | 4.75 | 5.94 | 4.31 | 4.06 | 3.81 | 0.31 x 0.94 | 5.13 | 7.44 | 14.2 | PFK3 | FG4 |
| 750 | PH750QMJ | B | 6.25/3.13 | 5.13 | 6.69 | 4.31 | 4.38 | 4.31 | 0.31 x 0.81 | 5.13 | 8.19 | 16.6 | PFK3 | FG4 |
| 1000 | PH1000QMJ | B | 8.33/4.17 | 5.25 | 6.81 | 4.94 | 4.50 | 4.44 | 0.31 x 0.81 | 5.56 | 8.31 | 23.6 | PFK3 | FG5 |
| 1500 | PH1500QMJ | B | 12.5/6.25 | 5.25 | 8.19 | 4.94 | 4.50 | 6.06 | 0.38 x 1.00 | 5.56 | 9.69 | 32.0 | PFK3 | FG5 |

Secondary fuse clips, fuse clip mounting screws and primary and secondary voltage links/jumpers supplied standard with transformers. All dimensions in inches
 *Note: Unfused finger guard kits are marked with an asterisk, for more information refer to page 43.
 Refer to page 65 for wiring schematic drawing. Custom voltages and VA sizes available upon request.
 *** Available with FACTORY INSTALLED Primary and Secondary Fuse Kits up to 1500VA. To order, add the suffix "-FK" to the above part number. Refer to page 42 for details. ***

Group D

Primary Voltage: 240 X 480 || 230 X 460 || 220 X 440
 Secondary Voltage: 12 X 24 || 11.5 X 23 || 11 X 22



50/60 Hertz

| VA Rating | Catalog Number | Mtg. Fig. | Output Amps | Overall Dimensions | | | Mounting Centers | | Mounting Slot G X H | Height with Finger Guard | Depth with Finger Guard | Approx. Ship Weight Lbs. | Optional Primary Fuse Kit P/N | Optional Unfused and Fused Finger Guard Kit P/N |
|-----------|----------------|-----------|-------------|--------------------|------|------|------------------|------|------------------------|--------------------------|-------------------------|--------------------------|-------------------------------|---|
| | | | | A | B | C | D | E | | | | | | |
| 50 | PH50QR | A | 4.17/2.08 | 3.00 | 4.38 | 3.19 | 2.50 | 2.25 | 0.22 x 0.44 | 4.00 | 5.82 | 3.50 | PFK1 | FG1*/FGF1 |
| 75 | PH75QR | A | 6.25/3.13 | 3.25 | 3.88 | 3.56 | 2.63 | 2.50 | 0.22 x 0.44 | 4.37 | 5.32 | 3.54 | PFK1 | FG2*/FGF2 |
| 100 | PH100QR | A | 8.33/4.17 | 3.25 | 4.19 | 3.63 | 2.63 | 2.63 | 0.22 x 0.44 | 4.50 | 5.63 | 4.50 | PFK1 | FG2*/FGF2 |
| 150 | PH150QR | B | 12.5/6.25 | 4.00 | 4.94 | 3.81 | 3.38 | 2.75 | 0.22 x 0.75 | 4.50 | 6.44 | 5.70 | PFK2 | FG3 |
| 250 | PH250QR | B | 20.8/10.4 | 4.50 | 5.44 | 3.81 | 3.75 | 3.13 | 0.22 x 0.75 | 4.50 | 6.94 | 7.50 | PFK2 | FG3 |
| 350 | PH350QR | B | 29.2/14.6 | 4.50 | 5.19 | 4.44 | 3.75 | 3.75 | 0.22 x 0.75 | 5.18 | 6.69 | 10.1 | PFK3 | FG4 |
| 500 | PH500QR | B | 41.7/20.8 | 4.75 | 5.94 | 4.31 | 4.06 | 3.81 | 0.31 x 0.94 | 5.13 | 7.44 | 14.2 | PFK3 | FG4 |

Secondary fuse clips, fuse clip mounting screws and primary and secondary voltage links/jumpers supplied standard with transformers. All dimensions in inches
 *Note: Unfused finger guard kits are marked with an asterisk, for more information refer to page 43.
 Refer to page 66 for wiring schematic drawing. Custom voltages and VA sizes available upon request.

Optional Accessories

Finger Guards

The HPS Imperator line of machine tool industrial molded control transformers are available with the following optional finger guard kits:

Optional Unfused Finger Guard Kits

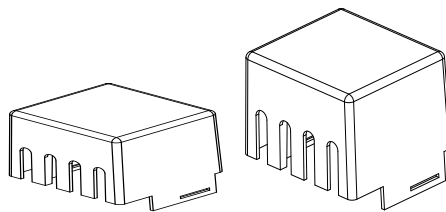
| Kit Part Number | Applicable Transformer Part Number Suffixes | Applicable VA Sizes |
|-----------------|---|---------------------|
| FG1 | AJ, AR, MQMJ, MEMX, QR, SP, PG, PP | 50 |
| FG2 | MBMH, MGJ, MLI | 50 |
| FG2 | All | 75 |
| FG2 | All (excluding PH100MBMH) Refer to FG3, FG4 or FG5 below | 100 150 to 1500 |

Note: Each finger guard kit supplies either the primary or secondary side.
Included in the kit: 1 finger guard (unfused) and PHAK1 instruction sheet

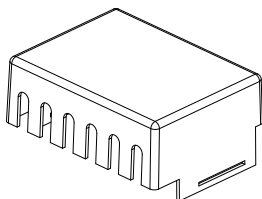
Optional Fused Finger Guard Kits

| Kit Part Number | Applicable Transformer Part Number Suffixes | Applicable VA Sizes | Parts Included in Kit |
|-----------------|---|---------------------|---|
| FGF1 | AJ, AR, MQMJ, MEMX, QR, SP, PG, PP | 50 | 1 finger guard (fused), PHAK1 instruction sheet |
| FGF2 | MBMH, MGJ, MLI | 50 | 1 finger guard (fused), PHAK1 instruction sheet |
| FGF2 | All | 75 | 1 finger guard (fused), PHAK1 instruction sheet |
| FGF2 | All (excluding PH100MBMH) | 100 | 1 finger guard (fused), PHAK1 instruction sheet |
| FG3 | MBMH | 100 | 1 finger guard, PHAK1 instruction sheet |
| FG3 | All | 150 | 1 finger guard, PHAK1 instruction sheet |
| FG3 | AJ, AR, MQMJ, MEMX, QR, SP, PG, PP | 250 | 1 finger guard, PHAK1 instruction sheet |
| FG4 | MBMH, MGJ, MLI | 250 | 1 finger guard, PHAK1 instruction sheet |
| FG4 | All | 350, 500 | 1 finger guard, PHAK1 instruction sheet |
| FG4 | AJ, AR, MQMJ, QR, SP, PP | 750 | 1 finger guard, PHAK1 instruction sheet |
| FG5 | MBMH, MEMX, MGJ, MLI, PG | 750 | 1 finger guard, PHAK1 instruction sheet |
| FG5 | All | 1000, 1500 | 1 finger guard, PHAK1 instruction sheet |

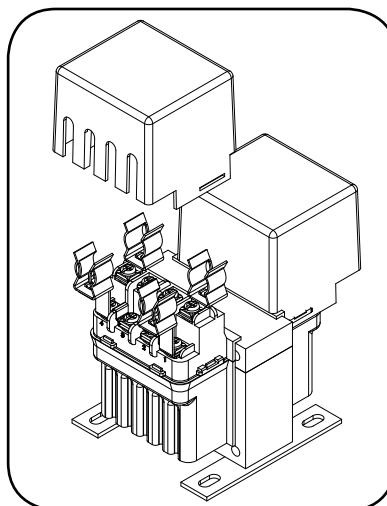
Note: Each finger guard kit supplies either the primary or secondary side.



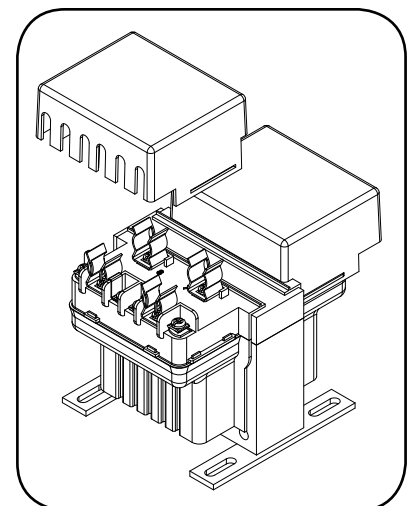
Sample Accessory Drawing for Fused & Unfused Finger Guards
(for 50, 75 and 100VA)



Sample Accessory Drawing for Finger Guards
(for 150VA and 1500VA)



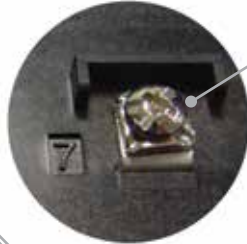
Sample Assembly Drawing for Finger Guard Installation
(For 50, 75 and 100VA)



Sample Assembly Drawing for Finger Guard Installation
(For 150VA to 1500VA)

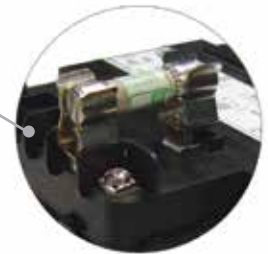
FEATURES & BENEFITS CONTINUED

Terminal connection numbers molded into the terminal block and correspond to the nameplate and wiring diagrams, make connecting the HPS Imperator quick and simple.



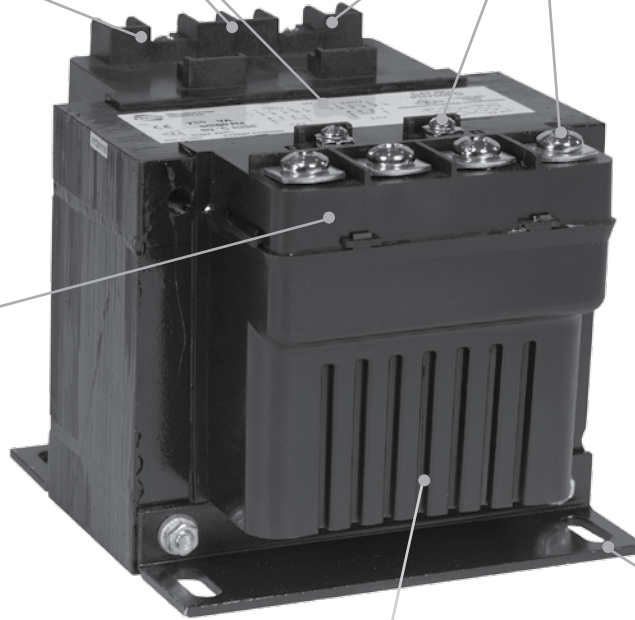
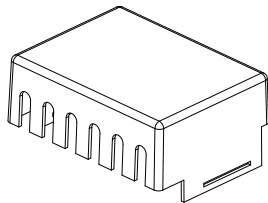
SEMS washer allows for easy connection of supply or load wires with or without terminal connectors.

Standard secondary and optional primary fuse kits utilizing 13/32" x 1 1/2" midget/type CC fuse clips provide an economical solution to your fusing requirements (fuses not available).



Innovative terminal block design provides for easy hook-up and installation of fuse clips.

Optional removable finger safe terminal covers available on all units.



Made of heavy steel and welded or bolted to the core, these mounting feet provide superior strength in a compact design.

Custom injection molded coil cover with its unique "fin shaped" design combines superior cooling properties with a clean, bold look.

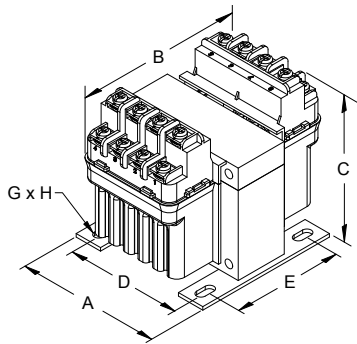


FIGURE A

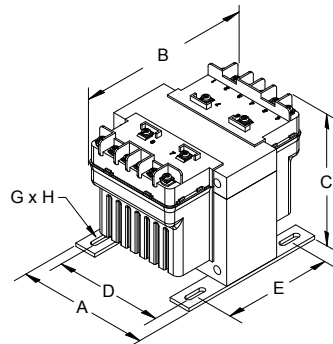


FIGURE B

Group C

Primary Voltage: 240 X 480 || 230 X 460 || 220 X 440
Secondary Voltage: 120 X 240 || 115 X 230 || 110 X 220



50/60 Hertz

| VA Rating | Catalog Number | Mtg. Fig. | Output Amps | Overall Dimensions | | | Mounting Centers | | Mounting Slot G X H | Height with Finger Guard | Depth with Finger Guard | Approx. Ship Weight Lbs. | Optional Primary Fuse Kit P/N | Optional Unfused and Fused Finger Guard Kit P/N |
|-----------|----------------|-----------|-------------|--------------------|------|------|------------------|------|------------------------|--------------------------|-------------------------|--------------------------|-------------------------------|---|
| | | | | A | B | C | D | E | | | | | | |
| 50 | PH50QMJ | A | 0.42/0.21 | 3.00 | 4.38 | 3.19 | 2.50 | 2.25 | 0.22 x 0.44 | 4.00 | 5.82 | 3.50 | PFK1 | FG1*/FGF1 |
| 75 | PH75QMJ | A | 0.63/0.31 | 3.25 | 3.88 | 3.56 | 2.63 | 2.50 | 0.22 x 0.44 | 4.37 | 5.32 | 3.54 | PFK1 | FG2*/FGF2 |
| 100 | PH100QMJ | A | 0.83/0.42 | 3.25 | 4.19 | 3.63 | 2.63 | 2.63 | 0.22 x 0.44 | 4.50 | 5.63 | 4.50 | PFK1 | FG2*/FGF2 |
| 150 | PH150QMJ | B | 1.25/0.63 | 4.00 | 4.94 | 3.81 | 3.38 | 2.75 | 0.22 x 0.75 | 4.50 | 6.44 | 5.70 | PFK2 | FG3 |
| 250 | PH250QMJ | B | 2.08/1.04 | 4.50 | 5.44 | 3.81 | 3.75 | 3.13 | 0.22 x 0.75 | 4.50 | 6.94 | 7.50 | PFK2 | FG3 |
| 350 | PH350QMJ | B | 2.92/1.46 | 4.50 | 5.19 | 4.44 | 3.75 | 3.75 | 0.22 x 0.75 | 5.18 | 6.69 | 10.1 | PFK3 | FG4 |
| 500 | PH500QMJ | B | 4.17/2.08 | 4.75 | 5.94 | 4.31 | 4.06 | 3.81 | 0.31 x 0.94 | 5.13 | 7.44 | 14.2 | PFK3 | FG4 |
| 750 | PH750QMJ | B | 6.25/3.13 | 5.13 | 6.69 | 4.31 | 4.38 | 4.31 | 0.31 x 0.81 | 5.13 | 8.19 | 16.6 | PFK3 | FG4 |
| 1000 | PH1000QMJ | B | 8.33/4.17 | 5.25 | 6.81 | 4.94 | 4.50 | 4.44 | 0.31 x 0.81 | 5.56 | 8.31 | 23.6 | PFK3 | FG5 |
| 1500 | PH1500QMJ | B | 12.5/6.25 | 5.25 | 8.19 | 4.94 | 4.50 | 6.06 | 0.38 x 1.00 | 5.56 | 9.69 | 32.0 | PFK3 | FG5 |

Secondary fuse clips, fuse clip mounting screws and primary and secondary voltage links/jumpers supplied standard with transformers.

All dimensions in inches

*Note: Unfused finger guard kits are marked with an asterisk, for more information refer to page 43.

Refer to page 65 for wiring schematic drawing. Custom voltages and VA sizes available upon request.

*** Available with FACTORY INSTALLED Primary and Secondary Fuse Kits up to 1500VA. To order, add the suffix "-FK" to the above part number. Refer to page 42 for details. ***

Group D

Primary Voltage: 240 X 480 || 230 X 460 || 220 X 440
Secondary Voltage: 12 X 24 || 11.5 X 23 || 11 X 22



50/60 Hertz

| VA Rating | Catalog Number | Mtg. Fig. | Output Amps | Overall Dimensions | | | Mounting Centers | | Mounting Slot G X H | Height with Finger Guard | Depth with Finger Guard | Approx. Ship Weight Lbs. | Optional Primary Fuse Kit P/N | Optional Unfused and Fused Finger Guard Kit P/N |
|-----------|----------------|-----------|-------------|--------------------|------|------|------------------|------|------------------------|--------------------------|-------------------------|--------------------------|-------------------------------|---|
| | | | | A | B | C | D | E | | | | | | |
| 50 | PH50QR | A | 4.17/2.08 | 3.00 | 4.38 | 3.19 | 2.50 | 2.25 | 0.22 x 0.44 | 4.00 | 5.82 | 3.50 | PFK1 | FG1*/FGF1 |
| 75 | PH75QR | A | 6.25/3.13 | 3.25 | 3.88 | 3.56 | 2.63 | 2.50 | 0.22 x 0.44 | 4.37 | 5.32 | 3.54 | PFK1 | FG2*/FGF2 |
| 100 | PH100QR | A | 8.33/4.17 | 3.25 | 4.19 | 3.63 | 2.63 | 2.63 | 0.22 x 0.44 | 4.50 | 5.63 | 4.50 | PFK1 | FG2*/FGF2 |
| 150 | PH150QR | B | 12.5/6.25 | 4.00 | 4.94 | 3.81 | 3.38 | 2.75 | 0.22 x 0.75 | 4.50 | 6.44 | 5.70 | PFK2 | FG3 |
| 250 | PH250QR | B | 20.8/10.4 | 4.50 | 5.44 | 3.81 | 3.75 | 3.13 | 0.22 x 0.75 | 4.50 | 6.94 | 7.50 | PFK2 | FG3 |
| 350 | PH350QR | B | 29.2/14.6 | 4.50 | 5.19 | 4.44 | 3.75 | 3.75 | 0.22 x 0.75 | 5.18 | 6.69 | 10.1 | PFK3 | FG4 |
| 500 | PH500QR | B | 41.7/20.8 | 4.75 | 5.94 | 4.31 | 4.06 | 3.81 | 0.31 x 0.94 | 5.13 | 7.44 | 14.2 | PFK3 | FG4 |

Secondary fuse clips, fuse clip mounting screws and primary and secondary voltage links/jumpers supplied standard with transformers.

All dimensions in inches

*Note: Unfused finger guard kits are marked with an asterisk, for more information refer to page 43.

Refer to page 66 for wiring schematic drawing. Custom voltages and VA sizes available upon request.

Optional Accessories

Finger Guards

The HPS Imperator line of machine tool industrial molded control transformers are available with the following optional finger guard kits:

Optional Unfused Finger Guard Kits

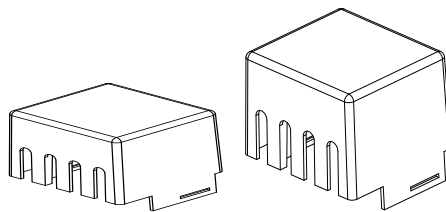
| Kit Part Number | Applicable Transformer Part Number Suffixes | Applicable VA Sizes |
|-----------------|---|---------------------|
| FG1 | AJ, AR, MQMJ, MEMX, QR, SP, PG, PP | 50 |
| FG2 | MBMH, MGJ, MLI | 50 |
| FG2 | All | 75 |
| FG2 | All (excluding PH100MBMH) Refer to FG3, FG4 or FG5 below | 100 150 to 1500 |

Note: Each finger guard kit supplies either the primary or secondary side.
Included in the kit: 1 finger guard (unfused) and PHAK1 instruction sheet

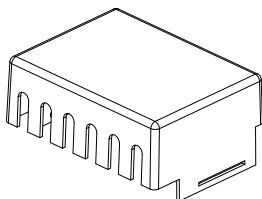
Optional Fused Finger Guard Kits

| Kit Part Number | Applicable Transformer Part Number Suffixes | Applicable VA Sizes | Parts Included in Kit |
|-----------------|---|---------------------|---|
| FGF1 | AJ, AR, MQMJ, MEMX, QR, SP, PG, PP | 50 | 1 finger guard (fused), PHAK1 instruction sheet |
| FGF2 | MBMH, MGJ, MLI | 50 | 1 finger guard (fused), PHAK1 instruction sheet |
| FGF2 | All | 75 | 1 finger guard (fused), PHAK1 instruction sheet |
| FGF2 | All (excluding PH100MBMH) | 100 | 1 finger guard (fused), PHAK1 instruction sheet |
| FG3 | MBMH | 100 | 1 finger guard, PHAK1 instruction sheet |
| FG3 | All | 150 | 1 finger guard, PHAK1 instruction sheet |
| FG3 | AJ, AR, MQMJ, MEMX, QR, SP, PG, PP | 250 | 1 finger guard, PHAK1 instruction sheet |
| FG4 | MBMH, MGJ, MLI | 250 | 1 finger guard, PHAK1 instruction sheet |
| FG4 | All | 350, 500 | 1 finger guard, PHAK1 instruction sheet |
| FG4 | AJ, AR, MQMJ, QR, SP, PP | 750 | 1 finger guard, PHAK1 instruction sheet |
| FG5 | MBMH, MEMX, MGJ, MLI, PG | 750 | 1 finger guard, PHAK1 instruction sheet |
| FG5 | All | 1000, 1500 | 1 finger guard, PHAK1 instruction sheet |

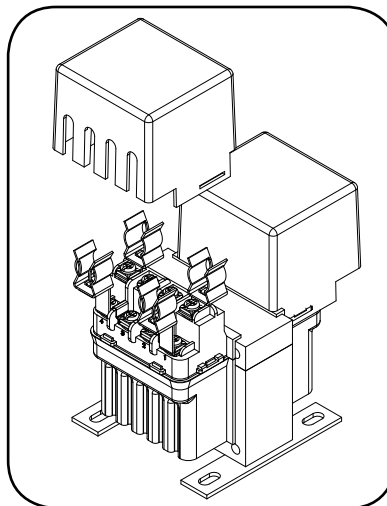
Note: Each finger guard kit supplies either the primary or secondary side.



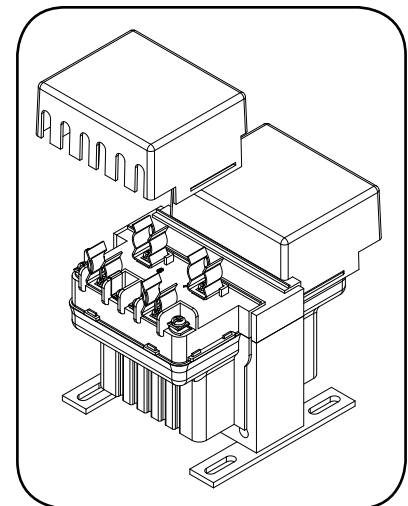
Sample Accessory Drawing for Fused & Unfused Finger Guards
(for 50, 75 and 100VA)



Sample Accessory Drawing for Finger Guards
(for 150VA and 1500VA)



Sample Assembly Drawing for Finger Guard Installation
(For 50, 75 and 100VA)



Sample Assembly Drawing for Finger Guard Installation
(For 150VA to 1500VA)