

FIGURE A

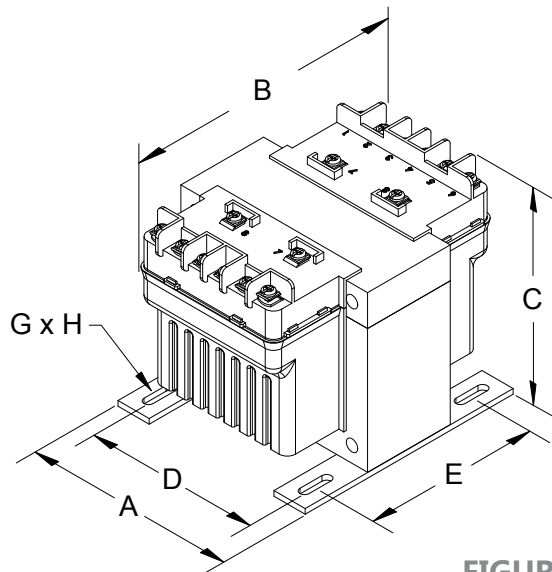


FIGURE B

Group K

Primary Voltage: 380/277/208

Secondary Voltage: 120 X 240



50/60 Hertz

VA Rating	Catalog Number	Mtg. Fig.	Output Amps	Overall Dimensions			Mounting Centers		Mounting Slot G X H	Height with Finger Guard	Depth with Finger Guard	Approx. Ship Weight Lbs.	Optional Primary Fuse Kit P/N	Optional Unfused and Fused Finger Guard Kit P/N
				A	B	C	D	E						
50	PH50MGJ	A	0.42/0.21	3.25	3.88	3.56	2.63	2.50	0.22 x 0.44	4.37	5.32	3.54	PFK5	FG2*/FGF2
75	PH75MGJ	A	0.63/0.31	3.25	4.19	3.63	2.63	2.63	0.22 x 0.44	4.44	5.63	4.50	PFK5	FG2*/FGF2
100	PH100MGJ	A	0.83/0.42	3.25	4.69	3.63	2.63	2.63	0.22 x 0.44	4.50	6.13	5.20	PFK5	FG2*/FGF2
150	PH150MGJ	B	1.25/0.63	4.00	5.44	3.81	3.38	2.75	0.22 x 0.75	4.50	6.94	7.60	PFK6	FG3
250	PH250MGJ	B	2.08/1.04	4.50	4.88	4.44	3.75	3.75	0.22 x 0.75	5.18	6.38	8.30	PFK6	FG4
350	PH350MGJ	B	2.92/1.46	4.50	5.56	4.44	3.75	3.75	0.22 x 0.75	5.18	7.06	11.0	PFK7	FG4
500	PH500MGJ	B	4.17/2.08	4.75	6.69	4.31	4.06	4.50	0.31 x 0.94	5.13	8.19	16.3	PFK7	FG4
750	PH750MGJ	B	6.25/3.13	5.25	6.81	4.94	4.50	4.44	0.31 x 0.81	5.56	8.31	23.6	PFK7	FG5
1000	PH1000MGJ	B	8.33/4.17	5.25	7.25	4.94	4.50	4.83	0.31 x 0.81	5.56	9.69	25.5	PFK7	FG5

Secondary fuse clips, fuse clip mounting screws and primary and secondary voltage links/jumpers supplied standard with transformers.

All dimensions in inches

*Note: Unfused finger guard kits are marked with an asterisk, for more information refer to page 43. Refer to page 73 for wiring schematic drawings. Custom voltages and VA sizes available upon request.