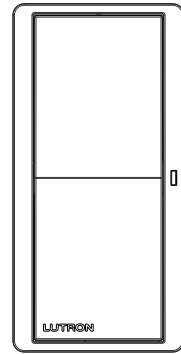


Pico Paddle Remote (for North, Central, and South America)

The Pico paddle remote is a flexible and easy to use device that allows the user to control Lutron wireless load-control devices from anywhere in the space. This battery-operated control requires no external power or communication wiring.

Features

- Provides remote control functionality for various Lutron smart controls and shading solutions.
- Control available in gloss finishes.
- Easy reconfiguration for use as a:
 - Handheld remote
 - Wall-mount control (with or without wallplate; wallplate adapter kit sold separately)
 - Car visor control (car visor clip sold separately)
 - Table top control (table top pedestal sold separately).
- Battery-powered. Requires no wiring.
- 10 year battery life¹ (one CR2032 battery included).
- Can provide control of blinds, curtains, or lighting devices within a range of 30 ft (9 m) through walls and 60 ft (18 m) line-of-sight.



Pico Paddle Remote

¹ Based on a 1 year shelf life, an average of 10 button presses per day, and an ambient temperature of 86 °F (30 °C). Actual life may vary based on usage and environmental conditions.

Job Name:	Model Numbers:
Job Number:	

Specifications

Regulatory Approvals

- Lutron Quality Systems registered to ISO 9001:2015.
- cULus
- NOM
- FCC Certified (U.S.A.)
- ISED Certified (Canada)
- IFETEL Certified (Mexico)
- SUTEL Certified (Costa Rica)
- QCERT (Columbia)
- ANATEL (Brazil)

Power

- Operating Voltage 3 V \equiv
- (1) CR2032 Battery (included)

System Compatibility

- Caséta Wireless controls
- HomeWorks QSX wireless systems
- RadioRA 3 systems
- Serena shades
- Sivoia QS wireless shades

System Communication and Capacity

- Communicates using Radio Frequency (RF) at 431 MHz to 437 MHz.
- Thousands of system addresses prevent interference between systems.
- Can be assigned to control blinds, curtains or lighting devices that are within a range of 30 ft (9 m) through walls and 60 ft (18 m) line-of-sight.

Environment

- Ambient operating temperature: 32 °F to 140 °F (0 °C to 60 °C)
- Maximum 90% non-condensing relative humidity
- Indoor use only

Mounting Considerations

- All RF devices should be mounted on nonmetallic surfaces to ensure proper performance.
- If you wish to mount your Pico wireless control to a metallic surface, the PICO-MOUNT-1-XX-CPN6774 will be required in order to maintain proper RF performance. For availability, please contact your local Lutron sales office.

Warranty

- 1 Year Limited Warranty
For additional Warranty information, please visit www.lutron.com/TechnicalDocumentLibrary/369-119_Wallbox_Warranty.pdf

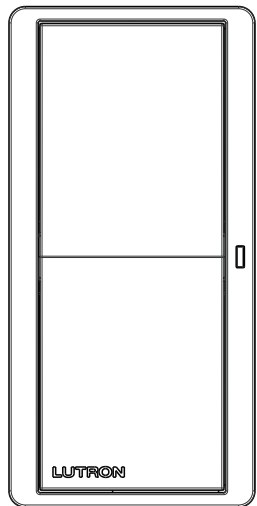
Job Name:	Model Numbers:
Job Number:	

Dimensions

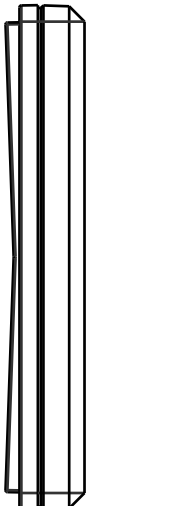
Measurements shown as: in (mm)

Pico Paddle Remote

Front view



Side view



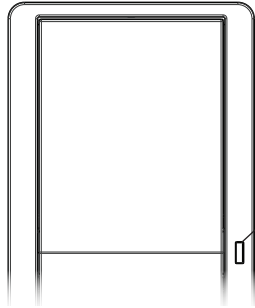
1.28 (33)

2.6 (66)

0.41 (10)

<p>Job Name:</p> <p>Job Number:</p>	<p>Model Numbers:</p>
--	-----------------------

Operation

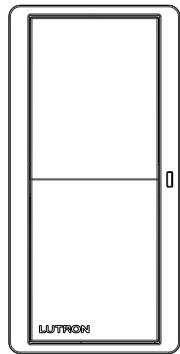


Indicator LED
Flashes to indicate a button press or when unit is in programming mode.

Pico Paddle Remote

Paddle Controls (P2B)

Lights:

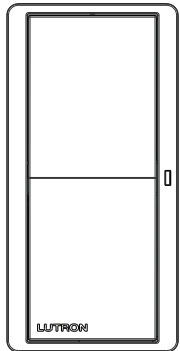


ON Button*
Lights go to full intensity.

* When paired with Diva smart dimmer:
If lights were **off**, lights go to preset slider level
If lights were **on**, lights go to full intensity

OFF Button
Lights go to off.

Shades:



OPEN Button
Screens/shades go to open limit.

CLOSE Button
Screens/shades go to close limit.

Job Name:	Model Numbers:
Job Number:	

Pico Paddle Remote Model Number

PJ2 – XXX – XXX

Frequency/Channel Code*

Code	Frequency Range
J	431.0 – 437.0 MHz

* For questions about frequency/channel code compatibility, contact your local Lutron sales office or visit us at www.lutron.com

Button Configuration Codes

Code	Button Configuration
P2B	2-Button Paddle

Color/Finish Codes

Color	Finish
	Gloss
Black	GBL
Brown	GBR
Grey	GGR
Ivory	GIV
Light Almond	GLA
White	GWH

Job Name:	Model Numbers:
Job Number:	

Pico Pedestal Model Number

Pedestals sold separately. Available in gloss finish only.

L – PEDX – XX

Capacity Codes

Capacity	Code
Single	1
Double	2
Triple	3

Color Codes

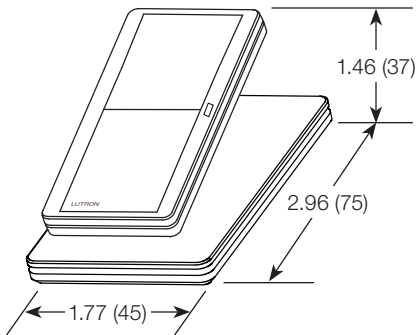
Color*	Code
White	WH
Black	BL

* Available in gloss finish only.

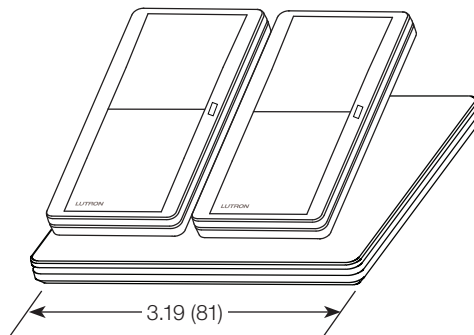
Pico Pedestal Dimensions

Measurements shown as: in (mm)

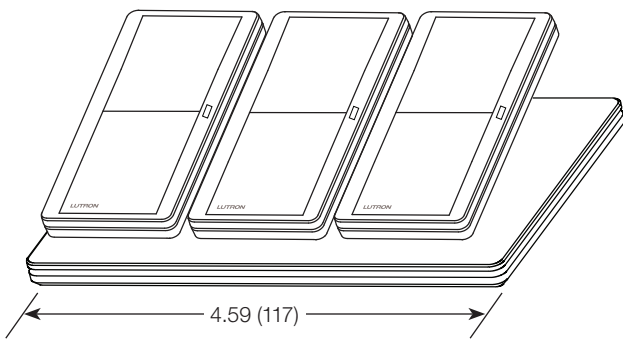
Single Pedestal



Double Pedestal



Triple Pedestal

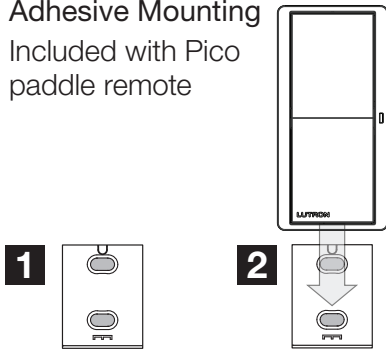


Job Name:	Model Numbers:
Job Number:	

Mounting Options

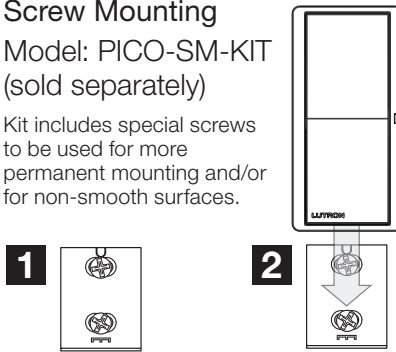
Standalone Mounting

Adhesive Mounting
Included with Pico paddle remote



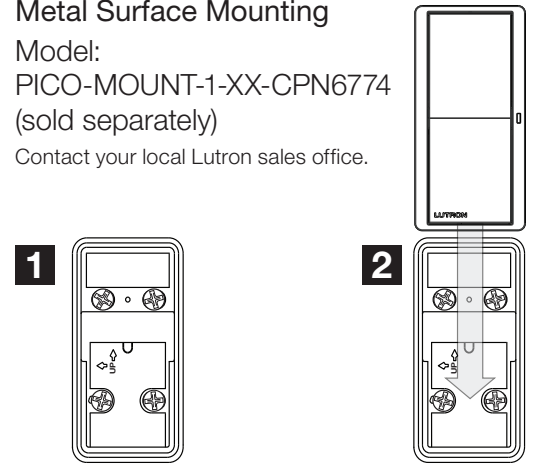
Screw Mounting
Model: PICO-SM-KIT (sold separately)

Kit includes special screws to be used for more permanent mounting and/or for non-smooth surfaces.



Metal Surface Mounting
Model: PICO-MOUNT-1-XX-CPN6774 (sold separately)

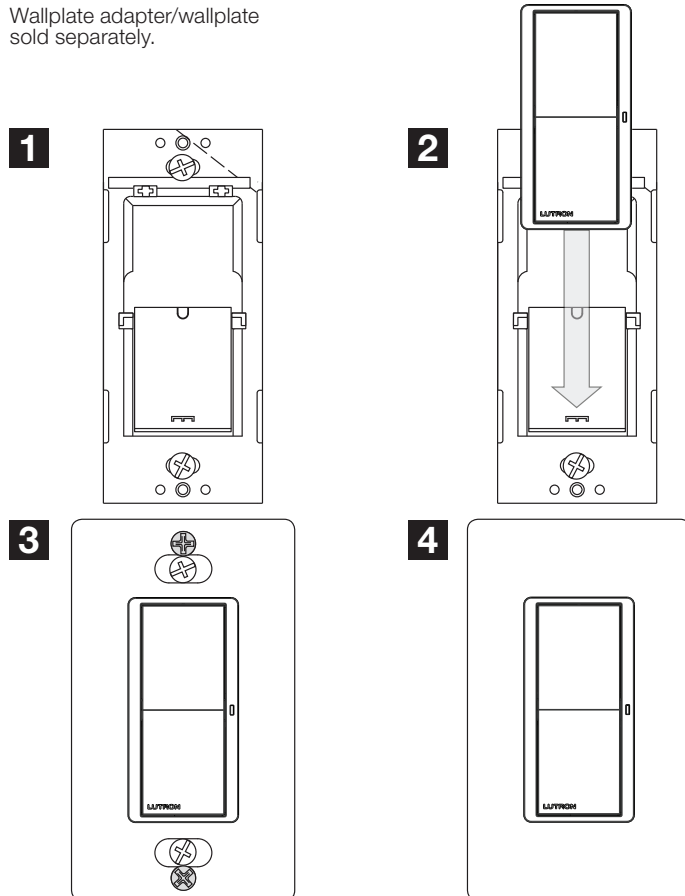
Contact your local Lutron sales office.



Wallbox Mounting

Wallbox Adapter
Model: PICO-WBX-ADAPT (sold separately)

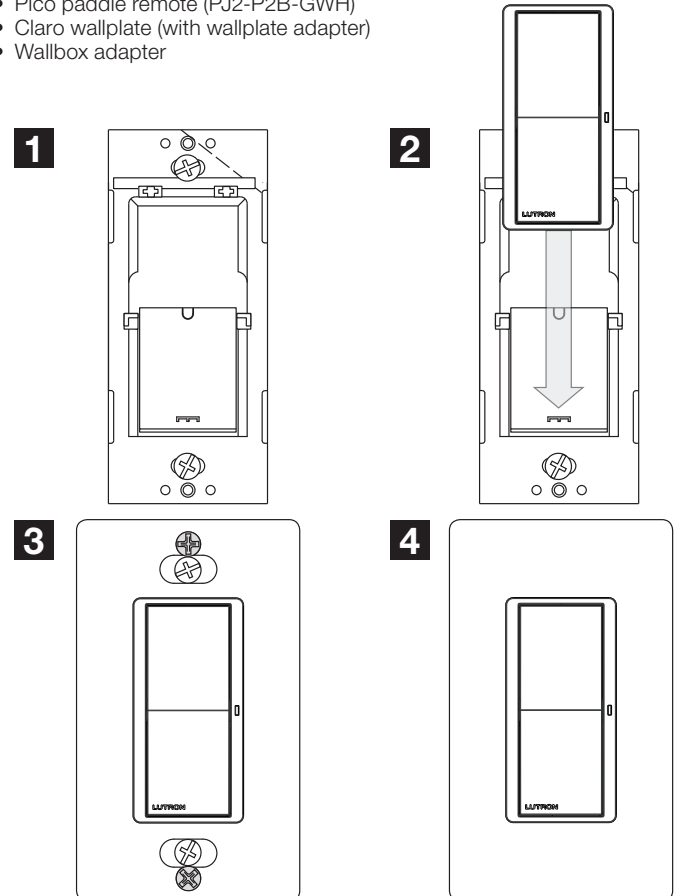
Wallplate adapter/wallplate sold separately.



Surface Mounting Kits

Wall-Mounting Kit
Model: PJ2W-P2B-WH (sold separately)

- Kit includes:
- Pico paddle remote (PJ2-P2B-GWH)
 - Claro wallplate (with wallplate adapter)
 - Wallbox adapter



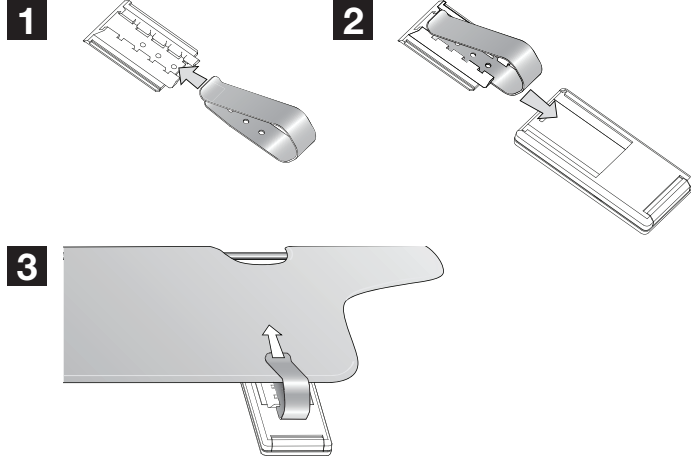
Job Name:	Model Numbers:
Job Number:	

Mounting Options (continued)

Vehicle Mounting

Mounting to a Car Visor

Model: PICO-CARVISOR-CL
(sold separately)



The Lutron logo, Lutron, Pico, Caséta, RadioRA, Serena, Sivoia, HomeWorks, Claro and Diva are trademarks or registered trademarks of Lutron Electronics Co., Inc. in the US and/or other countries.

LUTRON SPECIFICATION SUBMITTAL

Page:

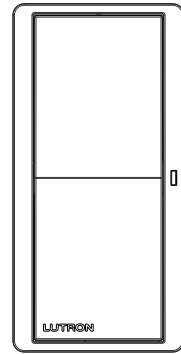
Job Name:	Model Numbers:
Job Number:	

Pico Paddle Remote (for North, Central, and South America)

The Pico paddle remote is a flexible and easy to use device that allows the user to control Lutron wireless load-control devices from anywhere in the space. This battery-operated control requires no external power or communication wiring.

Features

- Provides remote control functionality for various Lutron smart controls and shading solutions.
- Control available in gloss finishes.
- Easy reconfiguration for use as a:
 - Handheld remote
 - Wall-mount control (with or without wallplate; wallplate adapter kit sold separately)
 - Car visor control (car visor clip sold separately)
 - Table top control (table top pedestal sold separately).
- Battery-powered. Requires no wiring.
- 10 year battery life ¹ (one CR2032 battery included).
- Can provide control of blinds, curtains, or lighting devices within a range of 30 ft (9 m) through walls and 60 ft (18 m) line-of-sight.



Pico Paddle Remote

¹ Based on a 1 year shelf life, an average of 10 button presses per day, and an ambient temperature of 86 °F (30 °C). Actual life may vary based on usage and environmental conditions.

Job Name:	Model Numbers:
Job Number:	

Specifications

Regulatory Approvals

- Lutron Quality Systems registered to ISO 9001:2015.
- cULus
- NOM
- FCC Certified (U.S.A.)
- ISED Certified (Canada)
- IFETEL Certified (Mexico)
- SUTEL Certified (Costa Rica)
- QCERT (Columbia)
- ANATEL (Brazil)

Power

- Operating Voltage 3 V \equiv
- (1) CR2032 Battery (included)

System Compatibility

- Caséta Wireless controls
- HomeWorks QSX wireless systems
- RadioRA 3 systems
- Serena shades
- Sivoia QS wireless shades

System Communication and Capacity

- Communicates using Radio Frequency (RF) at 431 MHz to 437 MHz.
- Thousands of system addresses prevent interference between systems.
- Can be assigned to control blinds, curtains or lighting devices that are within a range of 30 ft (9 m) through walls and 60 ft (18 m) line-of-sight.

Environment

- Ambient operating temperature: 32 °F to 140 °F (0 °C to 60 °C)
- Maximum 90% non-condensing relative humidity
- Indoor use only

Mounting Considerations

- All RF devices should be mounted on nonmetallic surfaces to ensure proper performance.
- If you wish to mount your Pico wireless control to a metallic surface, the PICO-MOUNT-1-XX-CPN6774 will be required in order to maintain proper RF performance. For availability, please contact your local Lutron sales office.

Warranty

- 1 Year Limited Warranty
For additional Warranty information, please visit www.lutron.com/TechnicalDocumentLibrary/369-119_Wallbox_Warranty.pdf

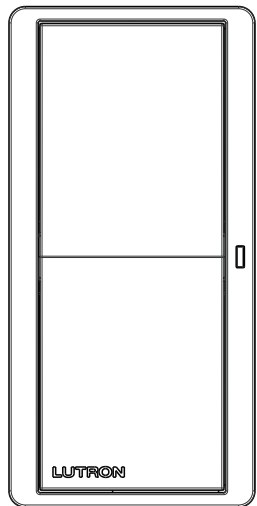
Job Name:	Model Numbers:
Job Number:	

Dimensions

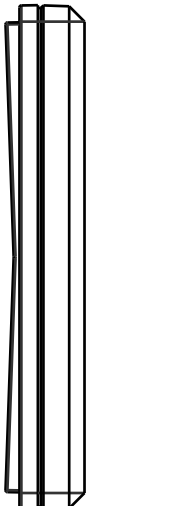
Measurements shown as: in (mm)

Pico Paddle Remote

Front view



Side view



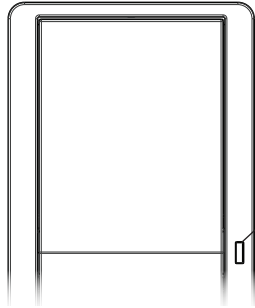
1.28 (33)

2.6 (66)

0.41 (10)

<p>Job Name:</p> <p>Job Number:</p>	<p>Model Numbers:</p>
--	-----------------------

Operation

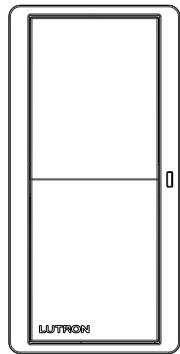


Indicator LED
Flashes to indicate a button press or when unit is in programming mode.

Pico Paddle Remote

Paddle Controls (P2B)

Lights:

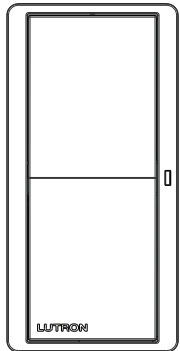


ON Button*
Lights go to full intensity.

* When paired with Diva smart dimmer:
If lights were **off**, lights go to preset slider level
If lights were **on**, lights go to full intensity

OFF Button
Lights go to off.

Shades:



OPEN Button
Screens/shades go to open limit.

CLOSE Button
Screens/shades go to close limit.

<p>Job Name:</p> <p>Job Number:</p>	<p>Model Numbers:</p>
--	-----------------------

Pico Paddle Remote Model Number

PJ2 – XXX – XXX

Frequency/Channel Code*

Code	Frequency Range
J	431.0 – 437.0 MHz

* For questions about frequency/channel code compatibility, contact your local Lutron sales office or visit us at www.lutron.com

Button Configuration Codes

Code	Button Configuration
P2B	2-Button Paddle

Color/Finish Codes

Color	Finish
	Gloss
Black	GBL
Brown	GBR
Grey	GGR
Ivory	GIV
Light Almond	GLA
White	GWH

Job Name:	Model Numbers:
Job Number:	

Pico Pedestal Model Number

Pedestals sold separately. Available in gloss finish only.

L – PEDX – XX

Capacity Codes

Capacity	Code
Single	1
Double	2
Triple	3

Color Codes

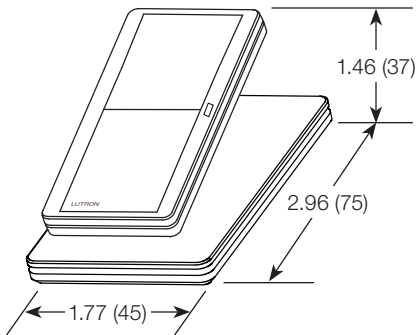
Color*	Code
White	WH
Black	BL

* Available in gloss finish only.

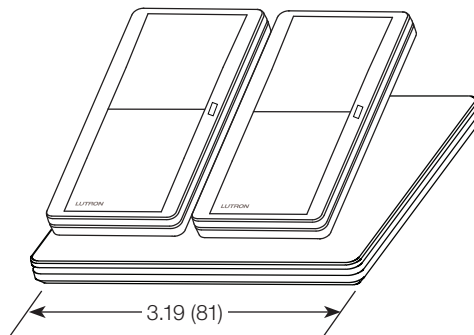
Pico Pedestal Dimensions

Measurements shown as: in (mm)

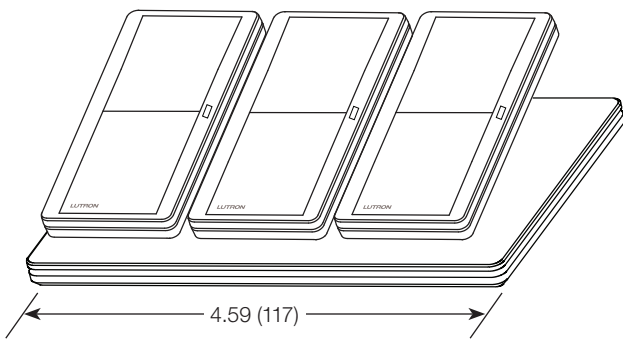
Single Pedestal



Double Pedestal



Triple Pedestal

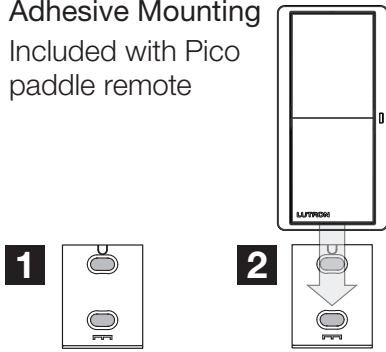


Job Name:	Model Numbers:
Job Number:	

Mounting Options

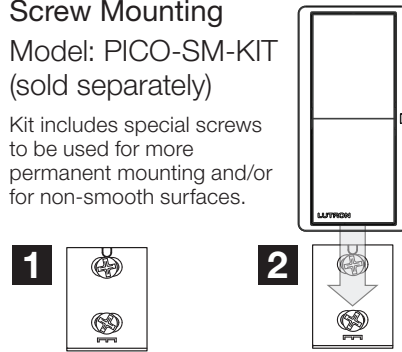
Standalone Mounting

Adhesive Mounting
Included with Pico paddle remote



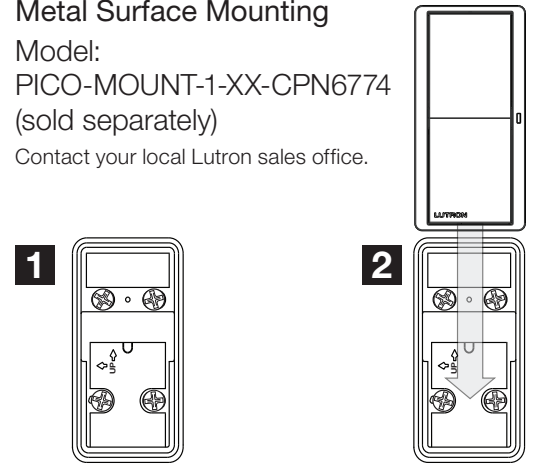
Screw Mounting
Model: PICO-SM-KIT (sold separately)

Kit includes special screws to be used for more permanent mounting and/or for non-smooth surfaces.



Metal Surface Mounting
Model: PICO-MOUNT-1-XX-CPN6774 (sold separately)

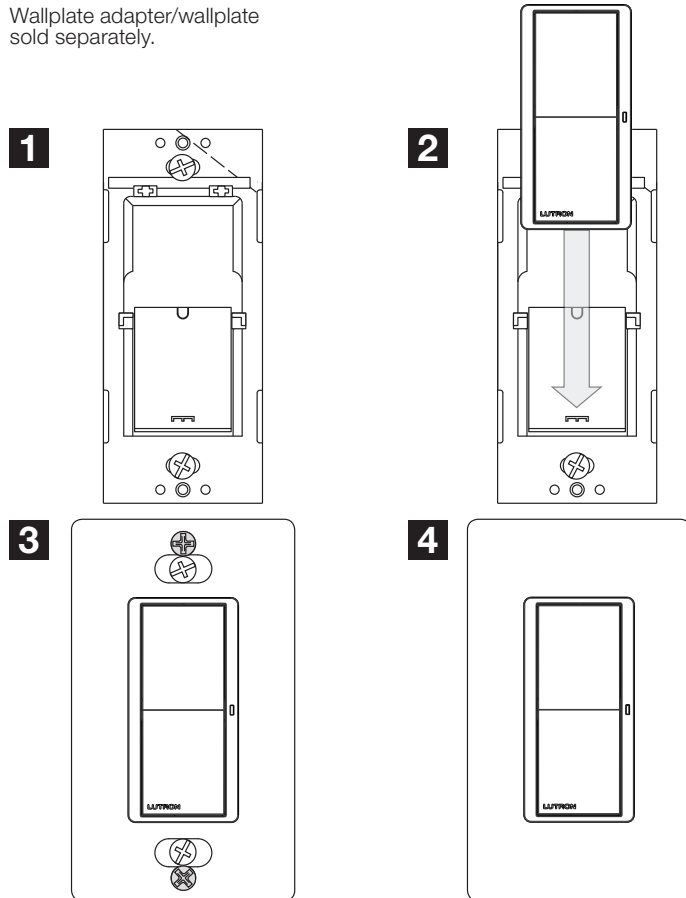
Contact your local Lutron sales office.



Wallbox Mounting

Wallbox Adapter
Model: PICO-WBX-ADAPT (sold separately)

Wallplate adapter/wallplate sold separately.



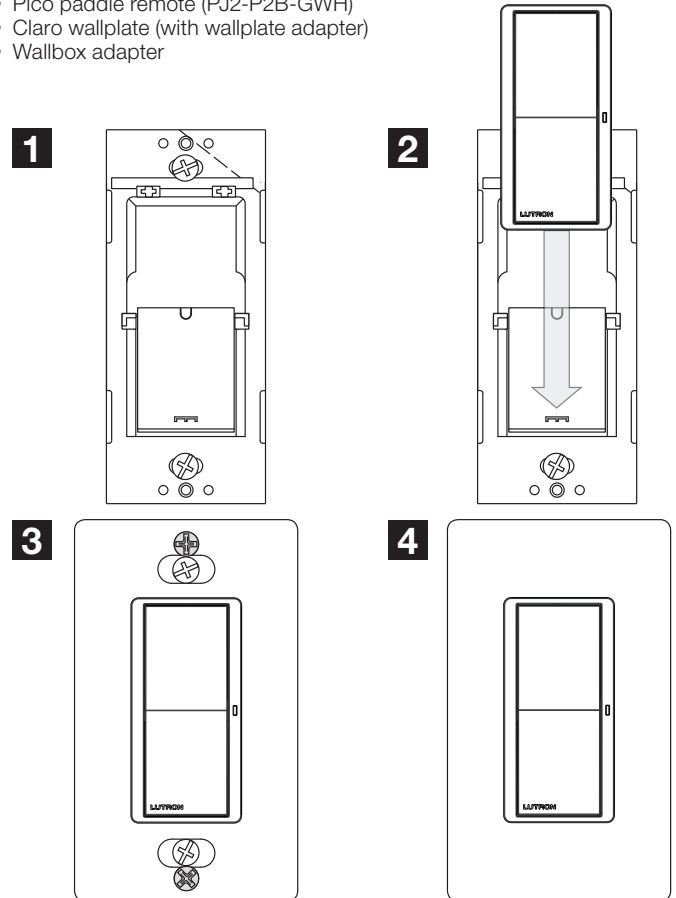
Surface Mounting Kits

Wall-Mounting Kit

Model: PJ2W-P2B-WH (sold separately)

Kit includes:

- Pico paddle remote (PJ2-P2B-GWH)
- Claro wallplate (with wallplate adapter)
- Wallbox adapter



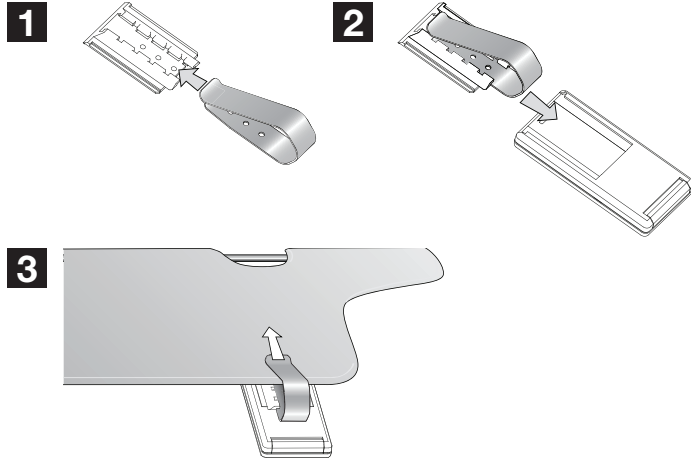
Job Name:	Model Numbers:
Job Number:	

Mounting Options (continued)

Vehicle Mounting

Mounting to a Car Visor

Model: PICO-CARVISOR-CL
(sold separately)



The Lutron logo, Lutron, Pico, Caséta, RadioRA, Serena, Sivoia, HomeWorks, Claro and Diva are trademarks or registered trademarks of Lutron Electronics Co., Inc. in the US and/or other countries.

LUTRON SPECIFICATION SUBMITTAL

Page:

<p>Job Name:</p> <p>Job Number:</p>	<p>Model Numbers:</p>
--	-----------------------